



TYGER®

FENDER FLARE

TG-FF8F4028

PLEASE READ AND FOLLOW THIS APPROVED INSTRUCTION CAREFULLY BEFORE INSTALLATION. FAILURE TO DO SO MAY CAUSE DAMAGE TO THE VEHICLE AND WILL INVALIDATE THE WARRANTY.

PRIOR TO INSTALLATION

- Remove contents from box. Verify all parts are present and free from any defects or damage.
- Make sure installation is done on a non-abrasive surface to avoid scratching the flare surface.
- Pre-fit each flare to the vehicle body to ensure they suit the profile of the vehicle.
- Remove existing decals and mud flaps on the vehicle that may interfere with flare installation.
- Make sure all flares and fender wheel well are clean as the presence of dirt or sand may scratch auto body paint.
- Suggest removing the tire before installation for easier access.
- Do not use any harsh abrasive detergent to clean the flare.

PAINTING

Painted flares cannot be returned. Test fit before painting. We are not responsible for any costs that may incur if flares were painted without test fitting.

- Clean surface to be painted with a good grade degreaser. Do not use lacquer thinner or any solvent based product.
- Wipe flare surface completely dry with a tack rag prior to paint.
- Application of plastic adhesion promoter for PP plastic as per your paint system manufacturer's recommendations is required.
- Use a high quality enamel or polyurethane automotive paint to paint the flares.
- Not recommend to paint the edge trim, but if desired use a flex additive.

WARNING

Dirt or debris may become lodged between flares and vehicle's fenders causing scratching and paint wear from vehicle vibration. TYGER is not responsible for any damage, and installation is done with buyer's understanding that this damage may potentially occur.

SAFETY INFORMATION

- Before driving, ensure that flare is properly secured to vehicle.
- Do not use automatic "brush-style" car wash.
- Periodically check all components for tightness.

Tools Required



Electric Drill



1/4" Drill



#2 Phillips Bit



Utility Knife



Socket Wrench



7/32" Socket



10mm Socket



1/2" Wrench



Grease Pencil

Hardware Included



[A]



[B]



[C]



[D]



[E]



[F]



[G]



[H]



[I]



[J]



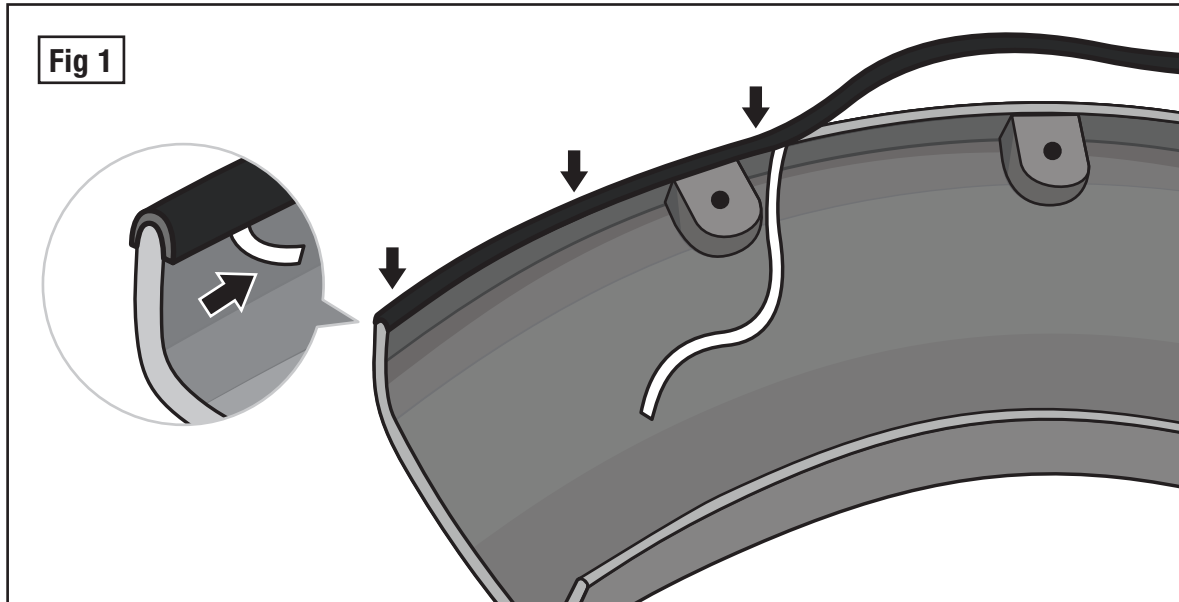
[K]

V200720

EDGE TRIM INSTALLATION

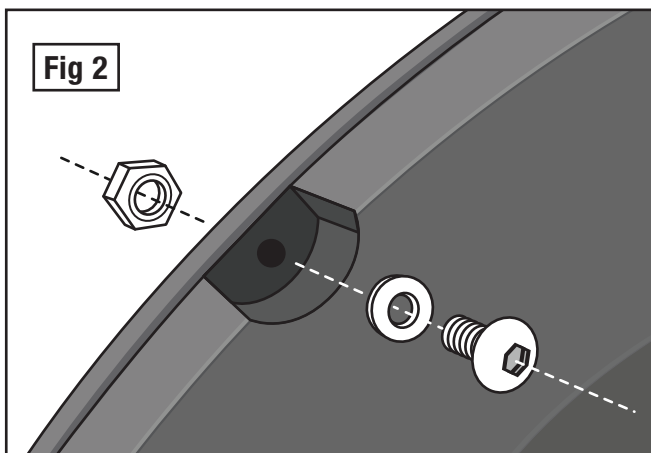
- Peel 2 inches of red backing away from one end of Edge Trim **[A]** .
- Apply Edge Trim over top edge of flare with adhesive side contacting inside edge of flare.
- Press Edge Trim into place and apply thumb pressure to ensure good adhesion, pull away red backing as you work your way around flare edge in one-foot increments. (Fig 1)

NOTE: Do not stretch Edge Trim during application.



DECORATIVE RIVET INSTALLATION

- Install Torx Bolt **[B]** with Washer **[C]** through each of the top holes around the flare and secure by using Nylock Nut **[D]** on the other side (Fig 2). Tighten by using socket wrenches and the supplied Torx Bit **[E]**. Do not over-tighten as this may damage the flare.

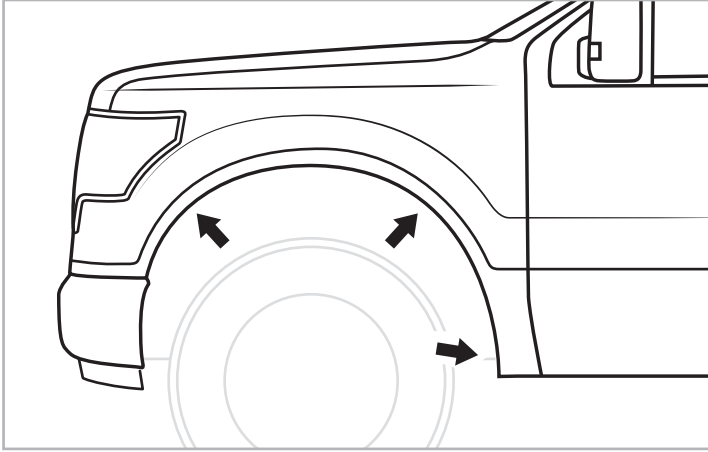


IMPORTANT: Do not drill holes to the vehicle body as rivets are decorative and fasten only to the flare. Do not attempt to use the bolts to fasten flare to vehicle body.

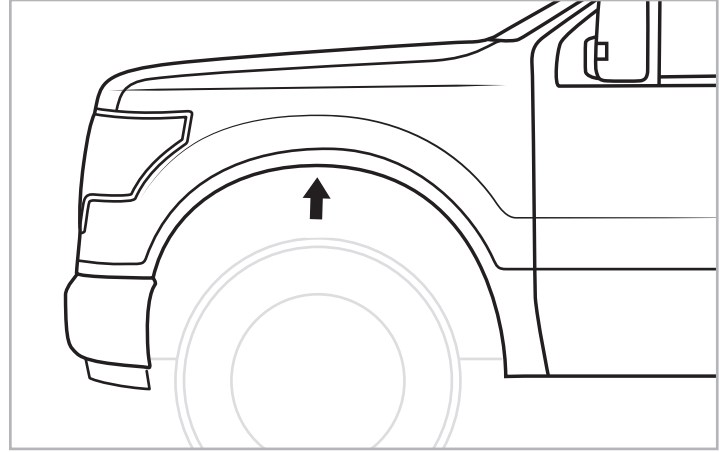
EXTRA NOTES

- Prior to installation, please use rust-resistant paint or rust primer on exposed metals to prevent rusting. Spray inner fender wells with undercoating after flare installation.
- Some modifications may be needed to maintain a minimum of 4" clearance between flares and exhaust pipes to avoid exhaust gases discharge directly onto fender flares.
- For vehicle with large tires, care must be taken to ensure tires do not make contact with flares.

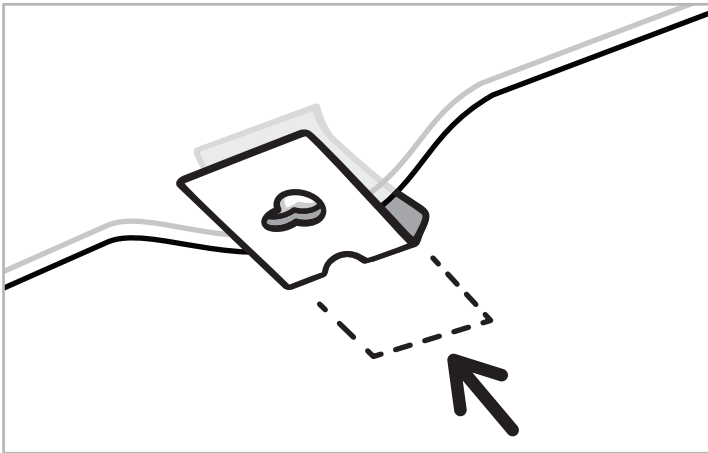
Front Driver Side Installation



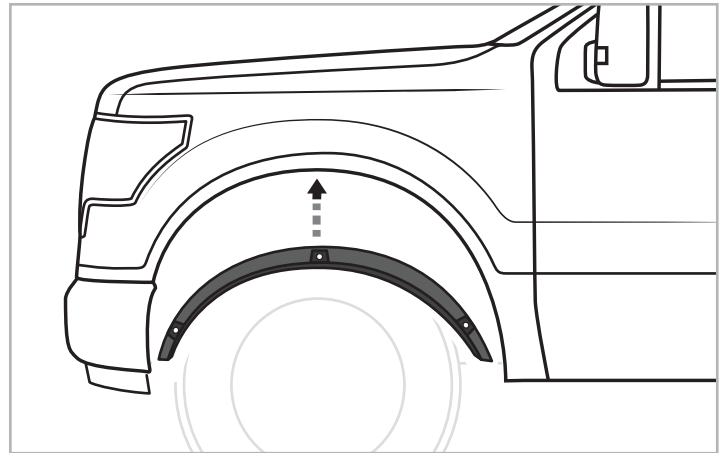
STEP 1: With a 7/32" socket wrench, remove 3 existing factory screws and save for later use.



STEP 2: Install a supplied U-clip [F] over the top existing factory hole as shown in Step 3.

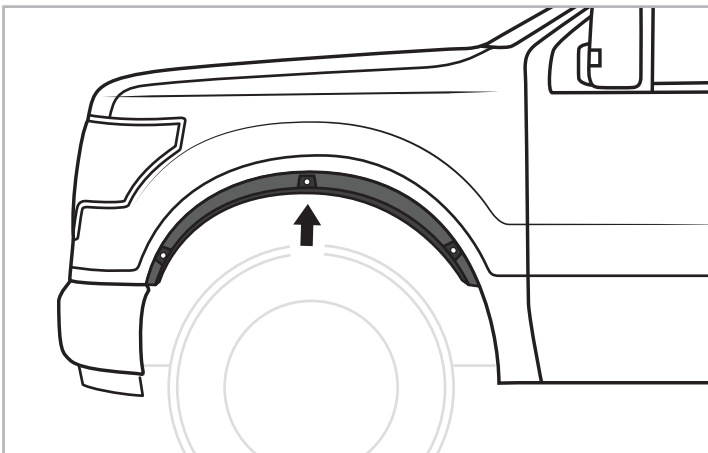


STEP 3: Slide a supplied U-clip [F] over the existing factory hole.

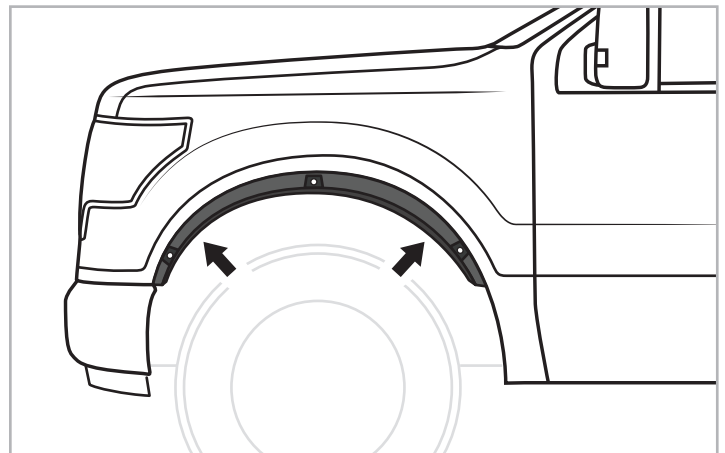


STEP 4: Position the supplied Left Inner Piece to the fender well by aligning up holes in the piece with top 3 of vehicle's factory holes.

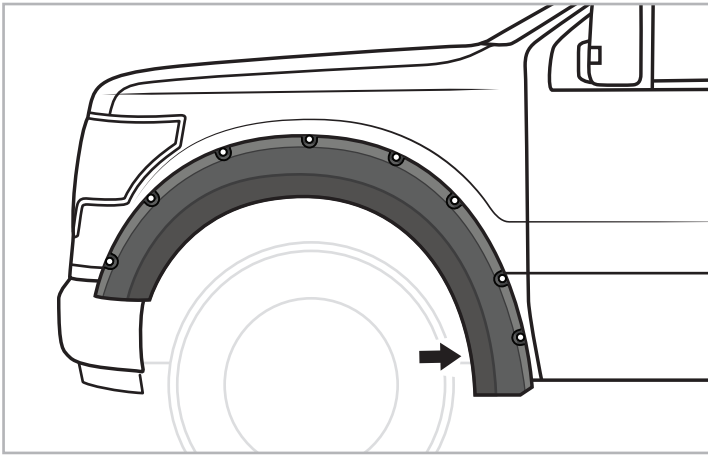
NOTE: Left Inner Piece has 'L' marked on it.



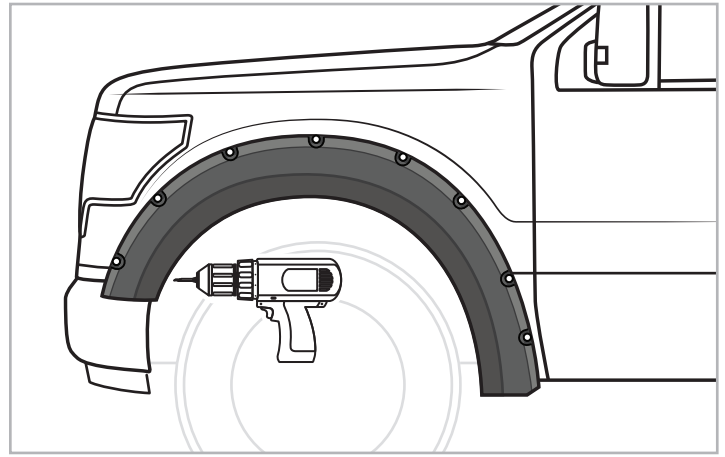
STEP 5: With a Phillips Screwdriver, install a supplied PH Truss Screw [G] through hole in inner piece and into the U-clip installed in Step 3.



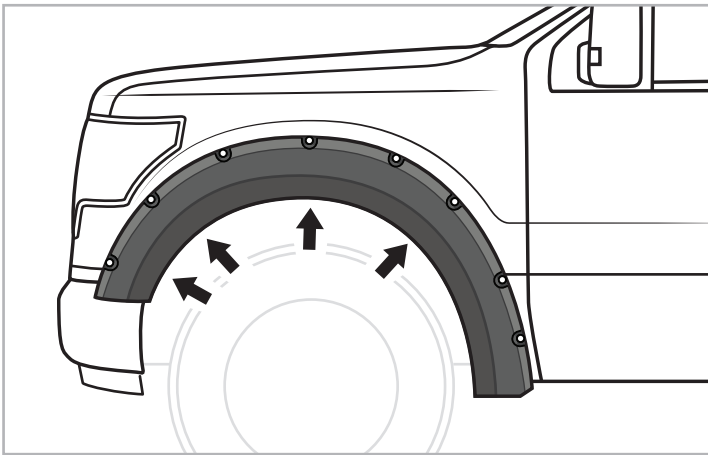
STEP 6: With a 7/32" socket wrench, reinstall 2 factory screws saved from Step 1 through holes in inner piece and into vehicle's factory mounting holes.



STEP 7: Position flare and hold in place. With a 7/32" socket wrench, install the last factory screw saved from Step 1 through hole in flare and into vehicle's factory mounting hole.

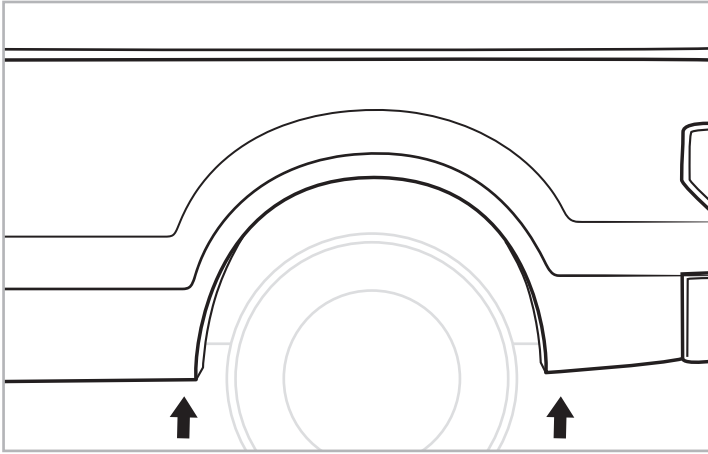


STEP 8: Keep holding flare in place. With a 1/4" drill bit, drill a hole in fender lip using hole in flare as a guide.

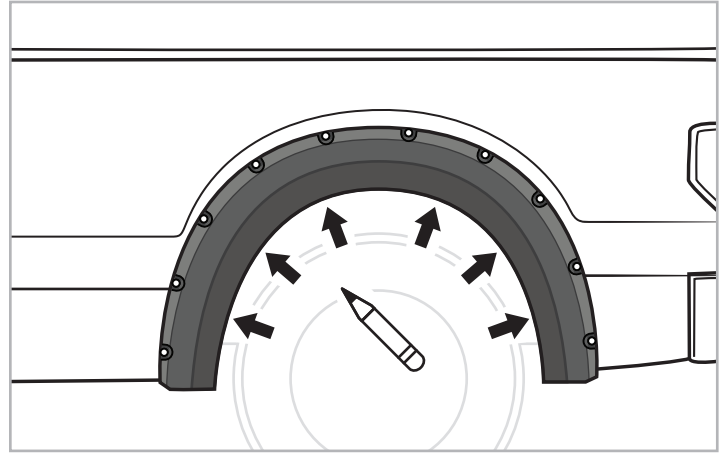


STEP 9: Keep holding flare in place, install 4 supplied Tuflok [H].

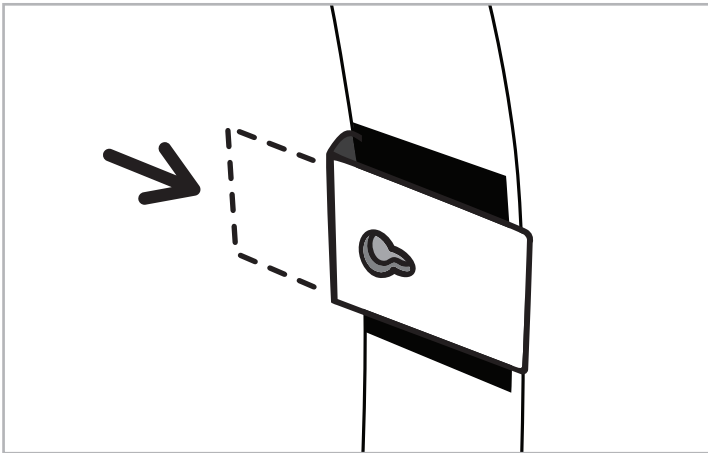
Rear Driver Side Installation



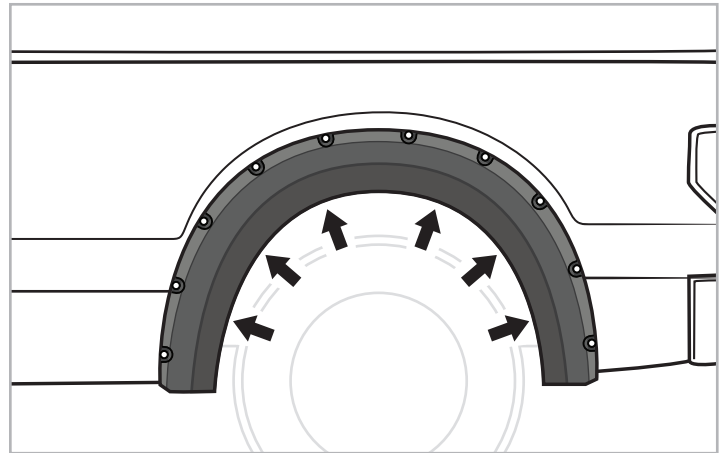
STEP 10: With a 10 mm socket wrench, remove 2 existing factory bolts and save for later use.



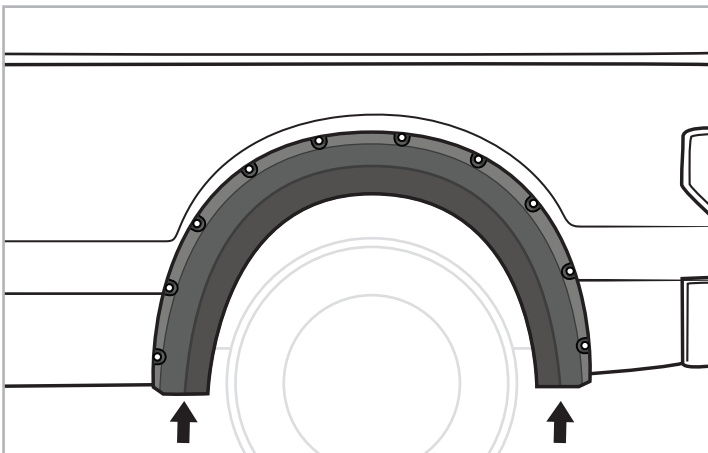
STEP 11: Position flare and hold in place. With a grease pencil, mark 6 locations using holes in flare as a guide. Then, remove flare.



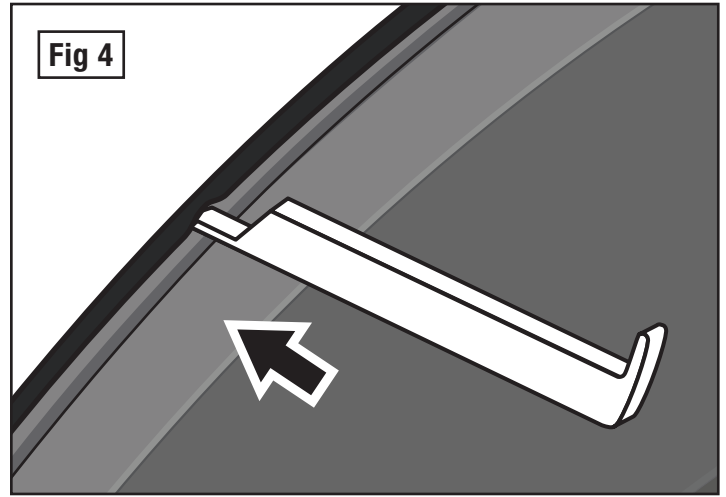
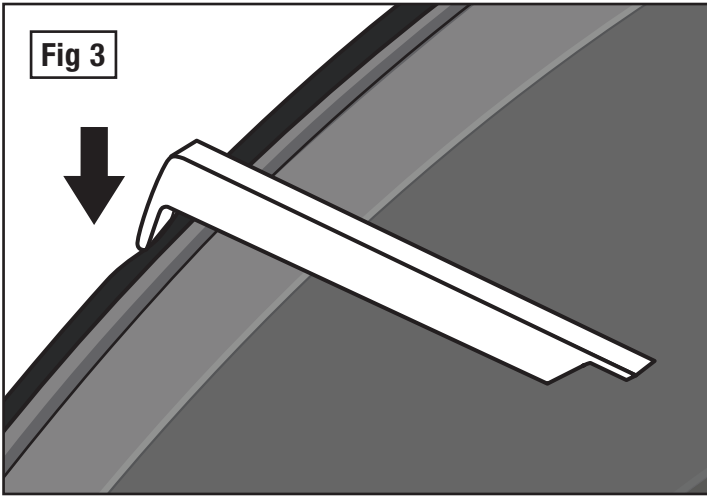
STEP 12: Wrap the supplied Tabs [I] on fender lip over marks made in Step 11. Then, slide a supplied Long U-clip [J] over each Tab.



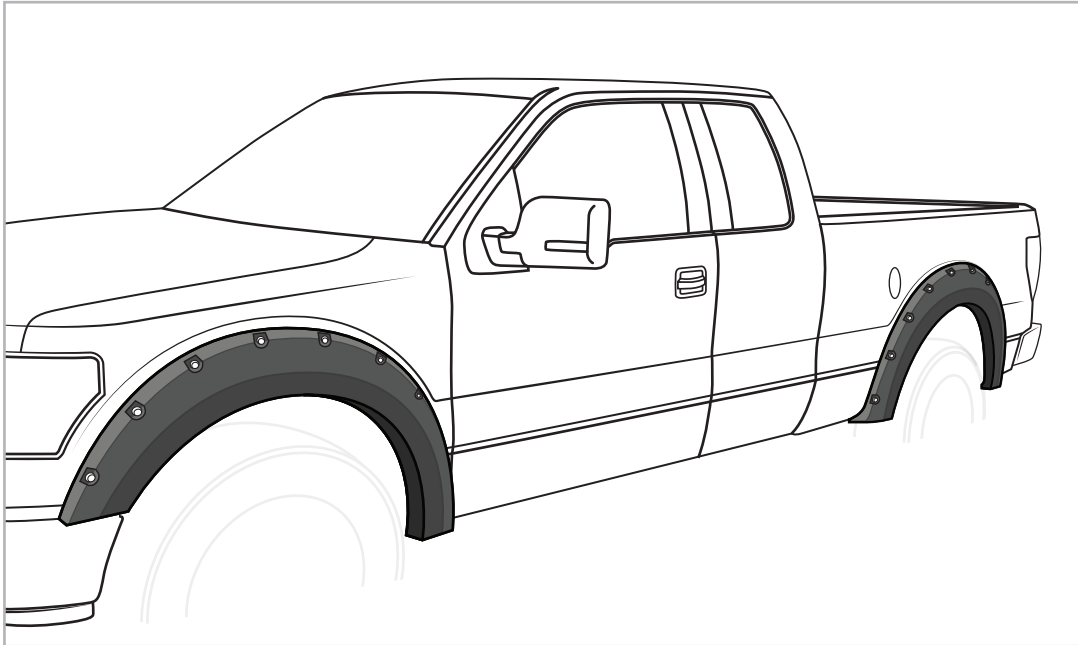
STEP 13: Reposition flare and hold in place. Install 6 supplied PH Truss Screws [G] starting with top 2 locations first. Then, tighten all 6 screws.



STEP 14: With a 10 mm socket wrench, reinstall 2 factory bolts saved from Step 10.

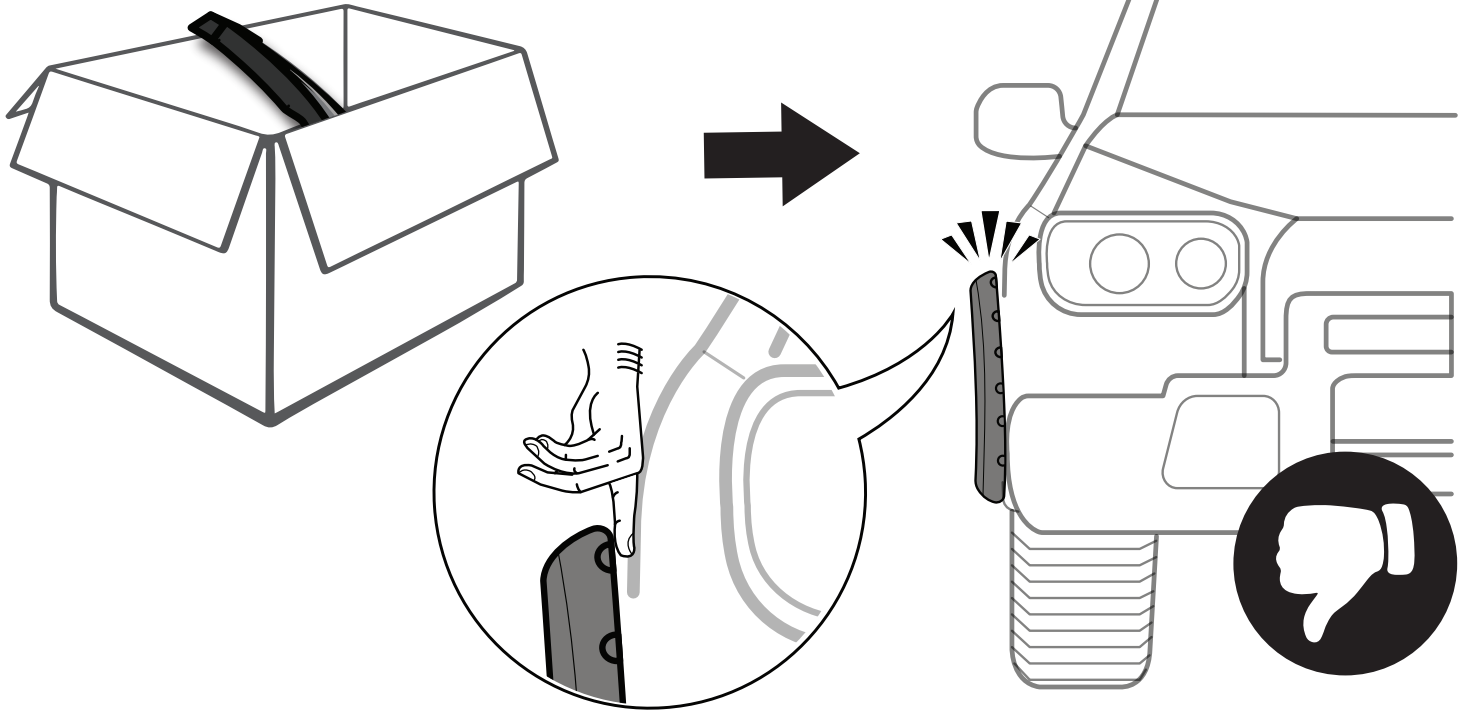


STEP 15: If needed use supplied tool [K] to trim outer edge (Fig 3) and inner edge (Fig 4) by inserting tool ends then sliding around the entire edge trims from one end to the other as shown in above pictures.

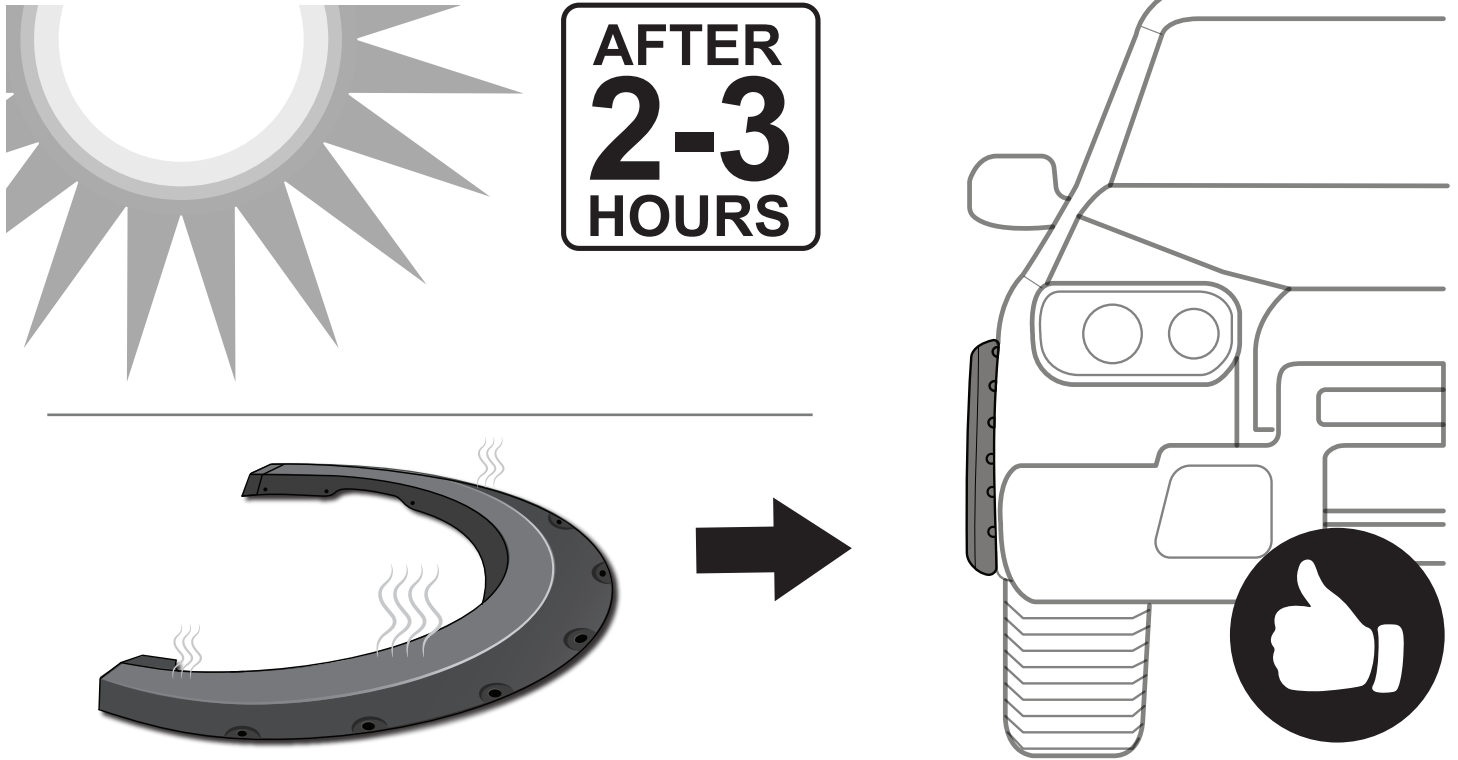


Driver side installation is completed. (Repeat the same steps on passenger side installation.)

FITMENT OR GAP ISSUE?



SOLUTION!



*In winter, heat gun or hair dryer may be used instead.