

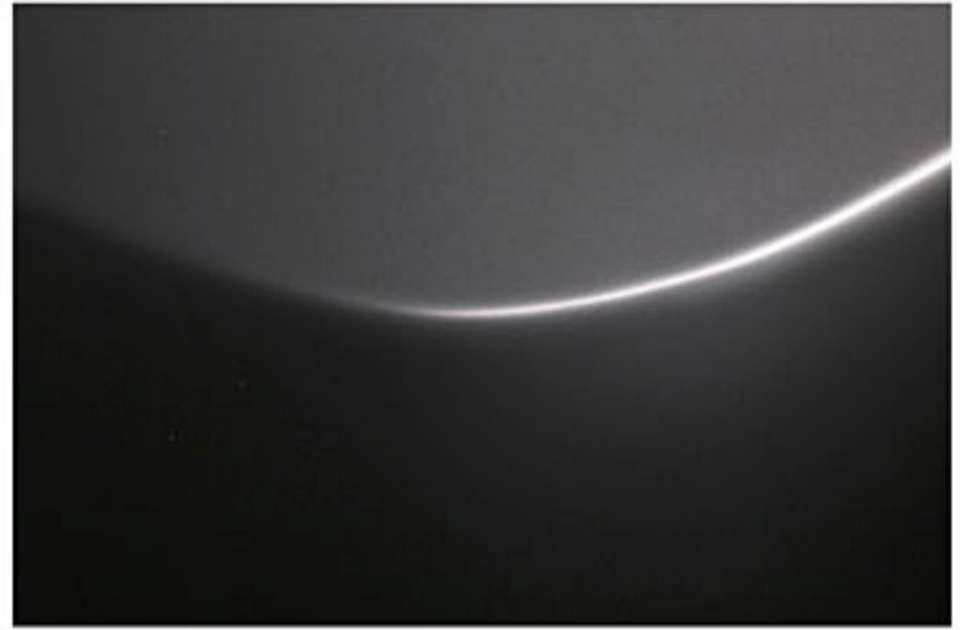
WHY TYGER?

THE QUALITY YOU CAN TRUST.

1 Made from Impact-Resistant Polypropylene



2 Smooth Matte Black Surface and Paintable



3 Distinctive Pocket & Rivet Design



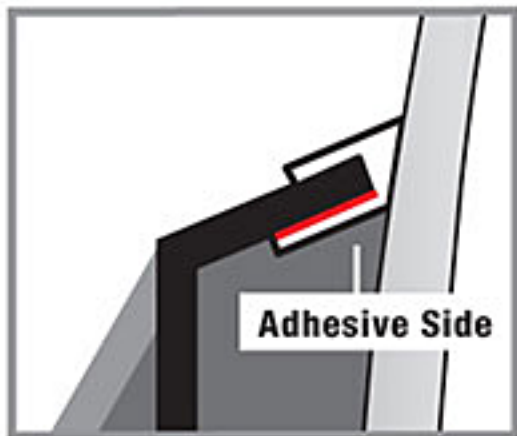
4 Even thickness with Injection Moulding



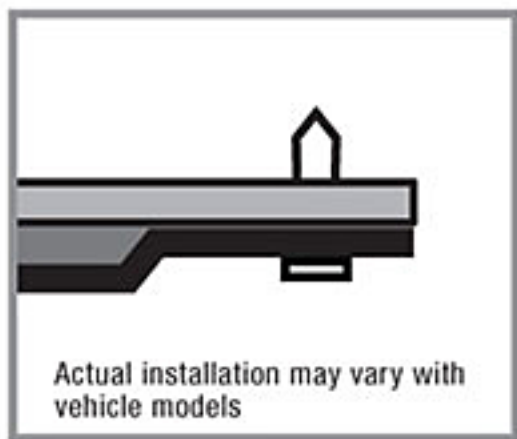
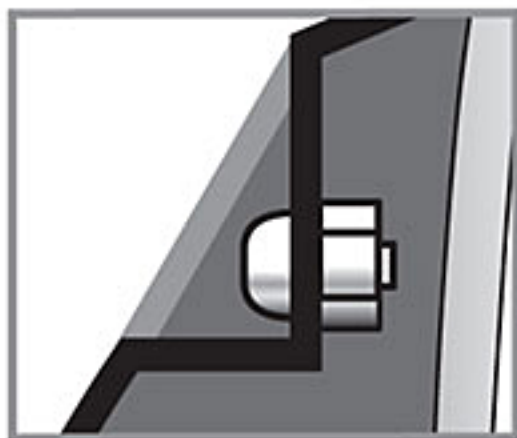
5 304 Marine Grade Stainless Rivets

6 Edge Trim to Protect Vehicle from Scratch

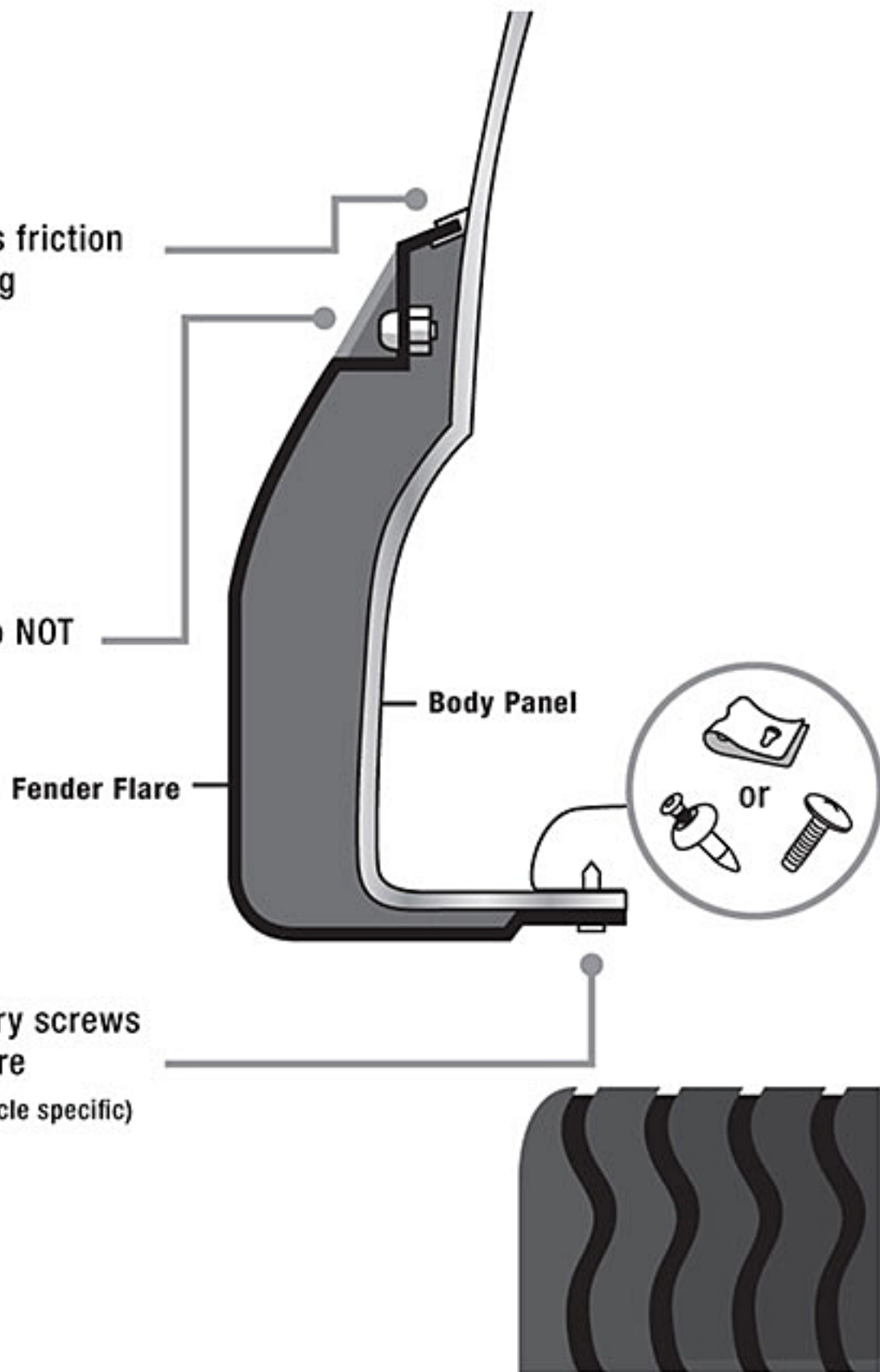




Edge Trim minimizes friction to prevent scratching



Secures using factory screws OR supplied hardware
(Hardware supplied is vehicle specific)





BUILT TO BE TOUGH!



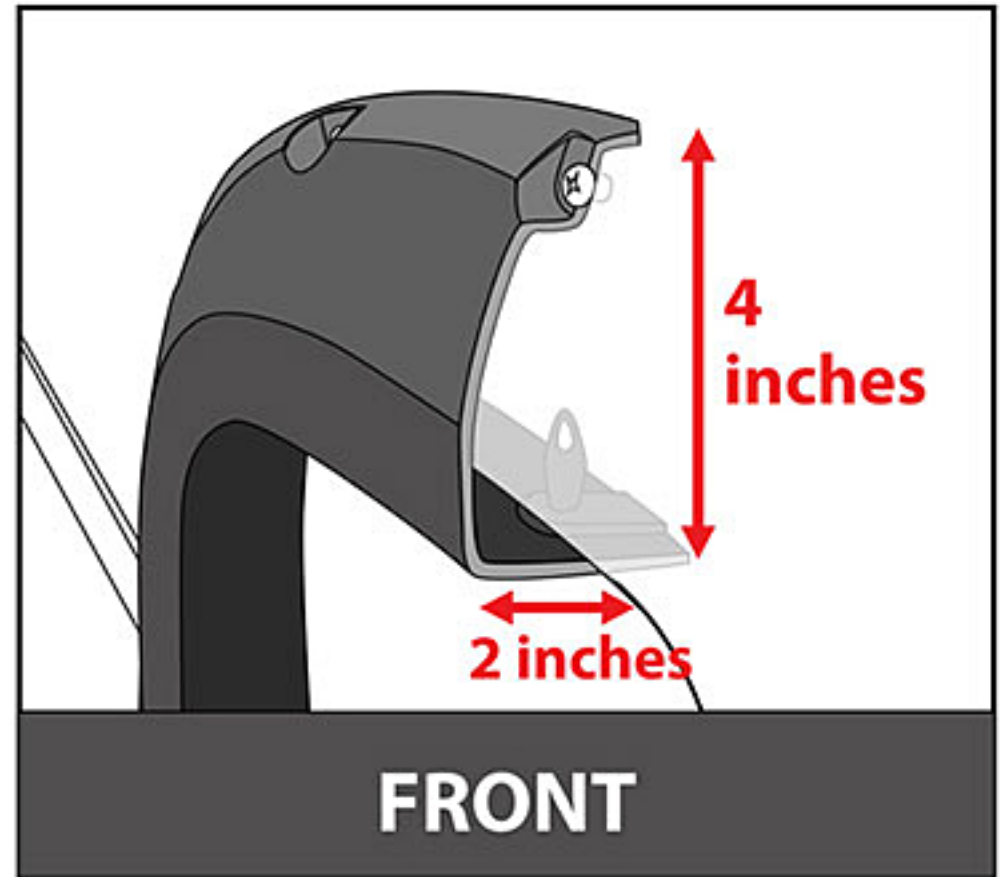
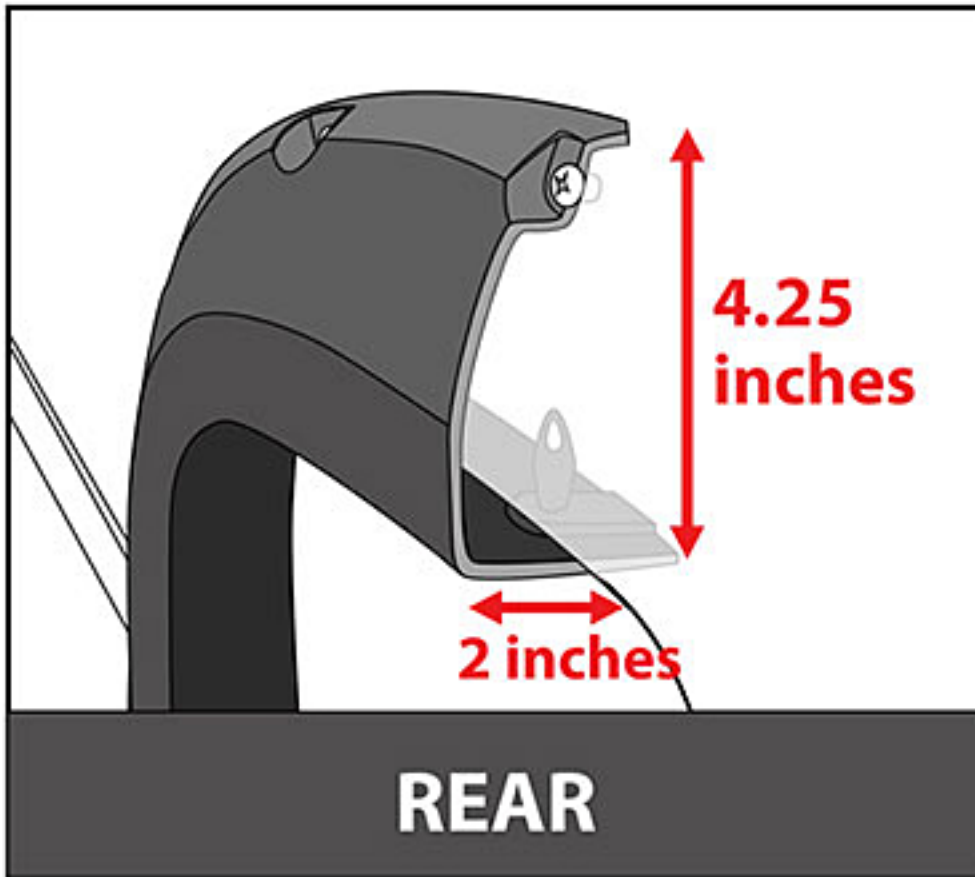
Made with
Injection Molding technology.

Made of
Impact Resistant Polypropylene,
Not the cheap ABS plastic.

(Actual products may vary by specific vehicles.)



EXTRA TIRE COVERAGE



Feel the difference with Tyger.

Shop the largest selection of fender flares in our online store.