



TYGER®

FENDER FLARE

TG-FF6D4328



ATTENTION!

PLEASE READ THE INSTRUCTIONS CAREFULLY BEFORE STARTING INSTALLATION. PLEASE FOLLOW THE APPROVED INSTALLATION ACCORDING TO THE WRITTEN INSTRUCTIONS. FAILURE TO DO SO MAY CAUSE DAMAGE TO YOUR VEHICLE AND INVALIDATE THE WARRANTY.



WARNING!

PARTICLES & DIRT STUCK BETWEEN INSTALLED FLARES AND VEHICLE'S FENDERS MAY CAUSE SCRATCHING AND PAINT WEAR FROM VEHICLE VIBRATION. INSTALLATION IS DONE WITH BUYER'S AND/OR USER'S UNDERSTANDING THAT THIS DAMAGE MAY POTENTIALLY OCCUR. TYGER™ IS NOT RESPONSIBLE FOR ANY DAMAGE FROM THIS CAUSE.

PRIOR TO INSTALLATION:



CHECK EVERYTHING BEFORE INSTALLATION



USE NON-ABRASIVE SURFACE TO INSTALL



VERIFY FITMENT OF FLARES TO VEHICLE



REMOVE DECALS & MUD FLAPS FIRST



ABRASIVE DETERGENT IS PROHIBITED

SAFETY INFORMATION:



NO AUTOMATIC BRUSH-STYLE WASH



CHECK TIGHTNESS

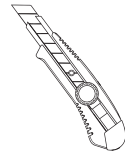


CHECK CAREFULLY BEFORE DRIVE

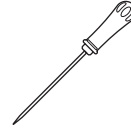
ABOUT PAINTING: Painted flares cannot be returned. Test fit before painting. We are not responsible for any costs that may incur if flares were painted without test fitting.

- Clean surface to be painted with a good grade degreaser. Do not use lacquer thinner or any solvent based product.
- Wipe flare surface completely dry with a tack rag prior to paint.
- Application of plastic adhesion promoter for PP plastic as per your paint system manufacturer's recommendations is required.
- Use a high quality enamel or polyurethane automotive paint to paint the flares.
- Not recommend to paint the edge trim, but if desired use a flex additive.

TOOLS FOR EASIER INSTALLATION



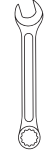
Utility Knife



Awl



#2 Phillips Driver



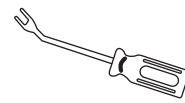
1/2" Wrench



Socket Wrench



8mm Socket



Plastic Fastener Remover Tool

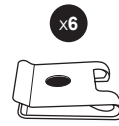


Work Gloves

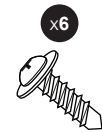
HARDWARE KIT INCLUDED



[A] Edge Trim



[B] U-Clip



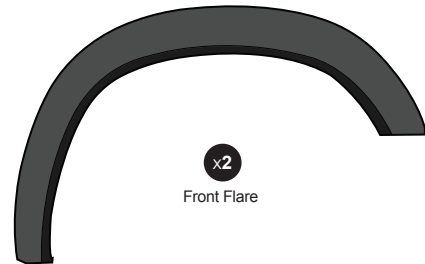
[C] PH Metal Screw



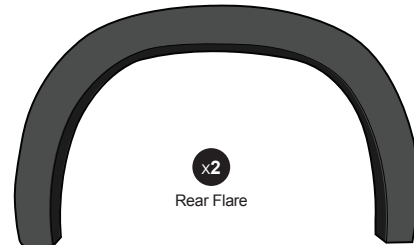
[D] Mylar Tab



[E] Edge Trim Tool



x2 Front Flare



x2 Rear Flare



TYGER[®]

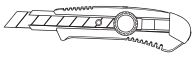
EDGE TRIM INSTALLATION

- Peel 2 to 3" of red vinyl backing away from one end of the **Edge Trim [A]** .
- Apply **Edge Trim [A]** over top edge of flare with adhesive side contacting inside edge of flare.
- Press **Edge Trim [A]** into place and apply thumb pressure to ensure good adhesion, pull away red backing as you work your way around flare edge in one-foot increments.

You will need:



Edge Trim [A]

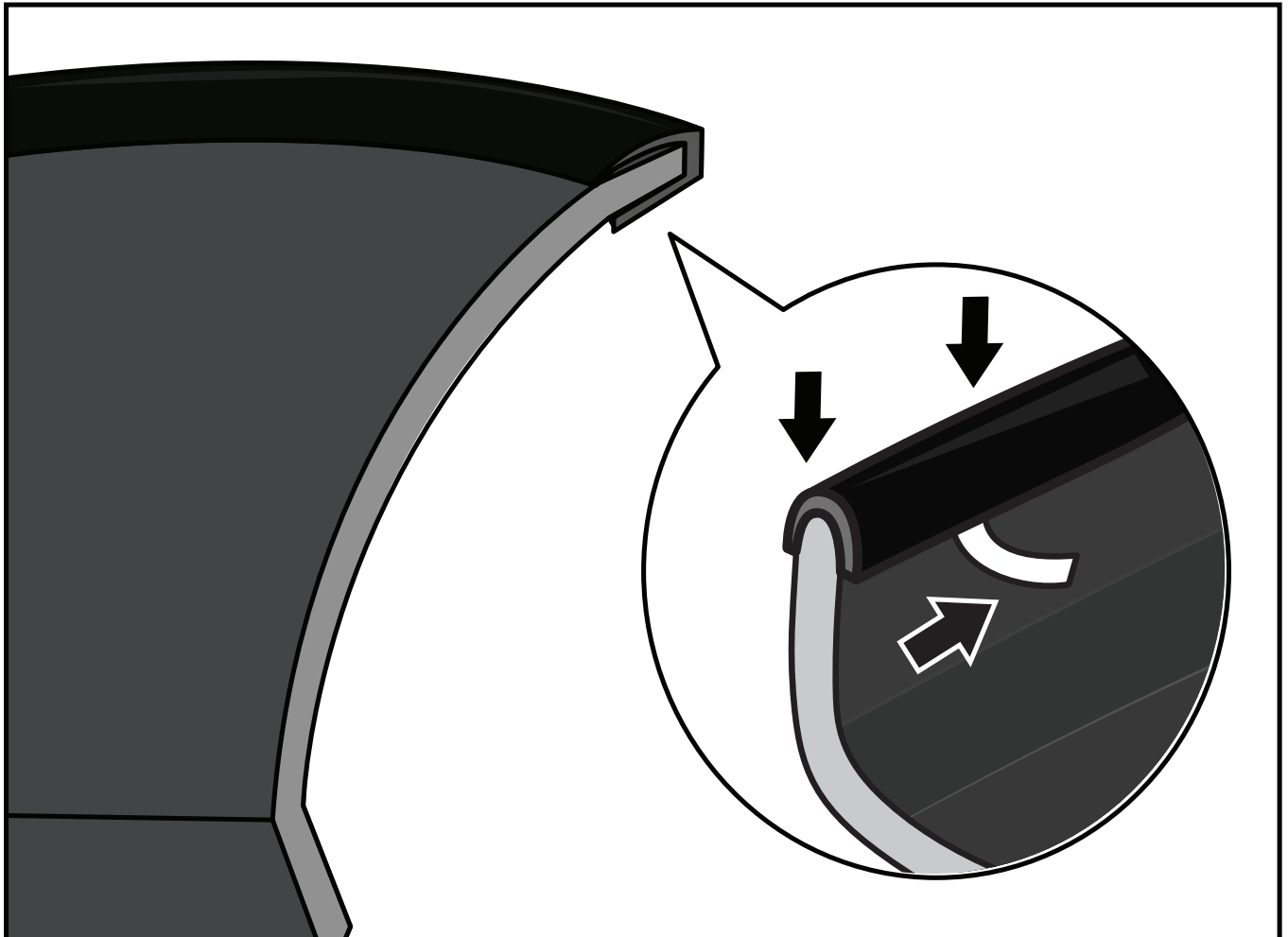


Utility Knife



NOTE!

DO NOT stretch Edge Trim during application.





FRONT FLARES INSTALLATION



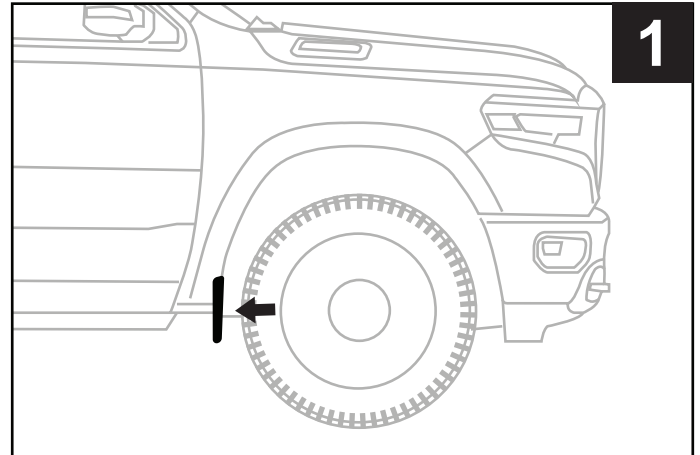
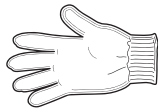
NOTE!

PLEASE USE APPROPRIATE TOOLS TO CLEAN THE VEHICLE IF IT IS NECESSARY, DRY IT OUT BEFORE YOU START THE INSTALLATION.

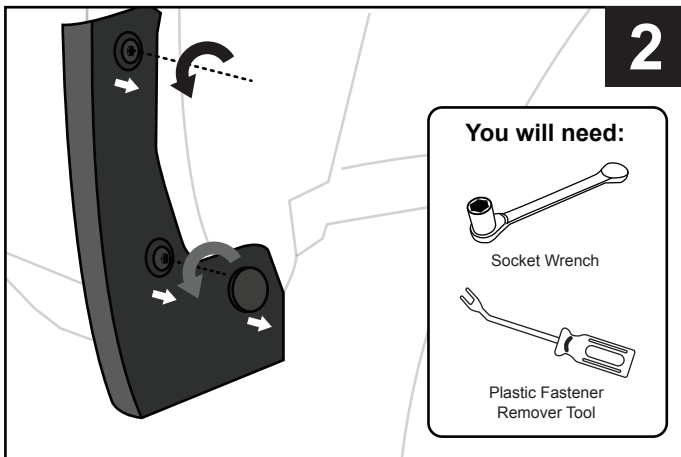
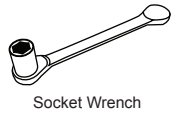


ATTENTION!

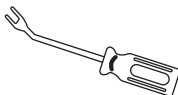
SOME COMPONENTS MIGHT BE SHARP, FOR SAFETY CONCERNS, PLEASE WEAR GLOVES DURING THE INSTALLATION FOR PROTECTION IF IT IS NEEDED.

**1**

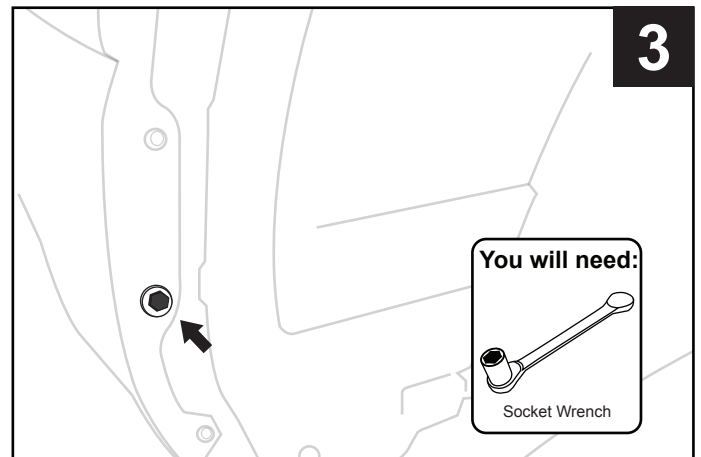
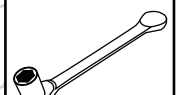
1. Start at factory FRONT wheel well mud flap on PASSENGER side.

**2****You will need:**

Socket Wrench

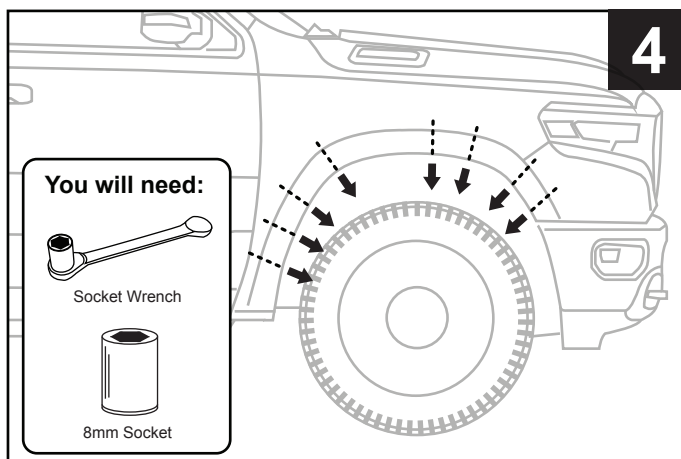
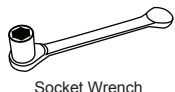


Plastic Fastener Remover Tool

**3****You will need:**

Socket Wrench

3. Re-apply 1 removed factory screw from STEP 2 back to the lower hole (arrow). Hold onto remaining 1 factory screw.

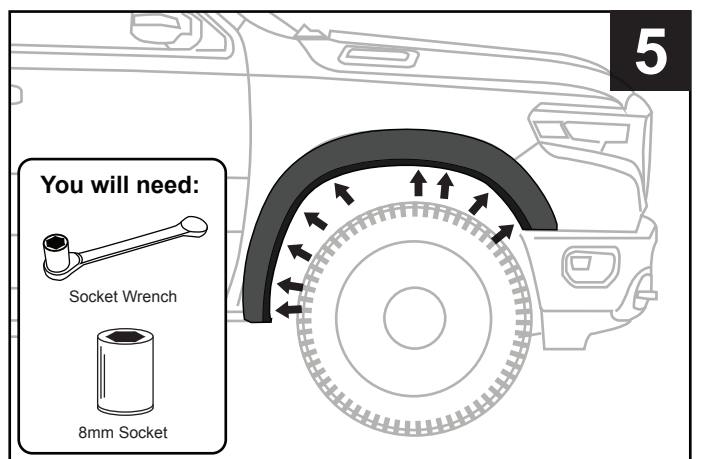
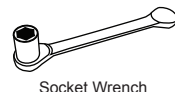
**4****You will need:**

Socket Wrench



8mm Socket

4. Remove and hold onto 8 factory screw from inside of wheel well. You should now have 9 total factory screws for flare installation.

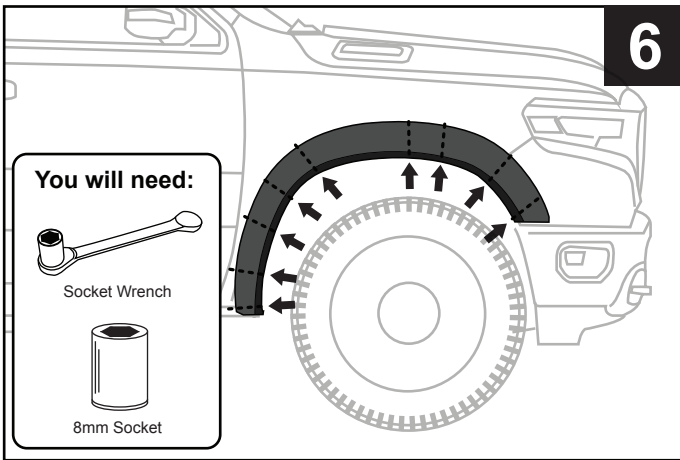
**5****You will need:**

Socket Wrench

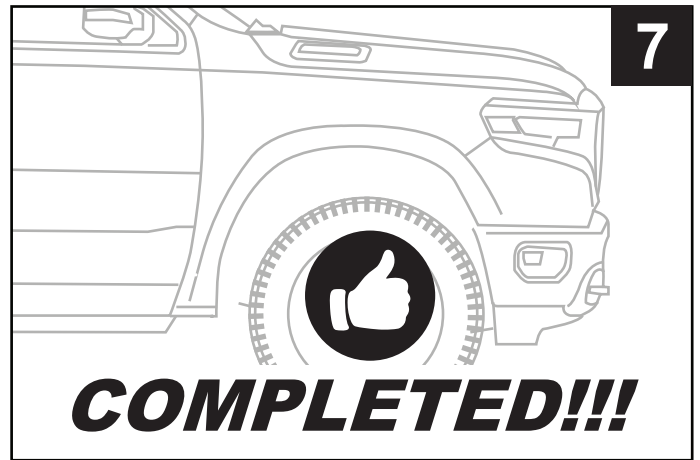


8mm Socket

5. Secure flare against vehicle and apply 9 factory screws from STEPS 3-4 without tightening.



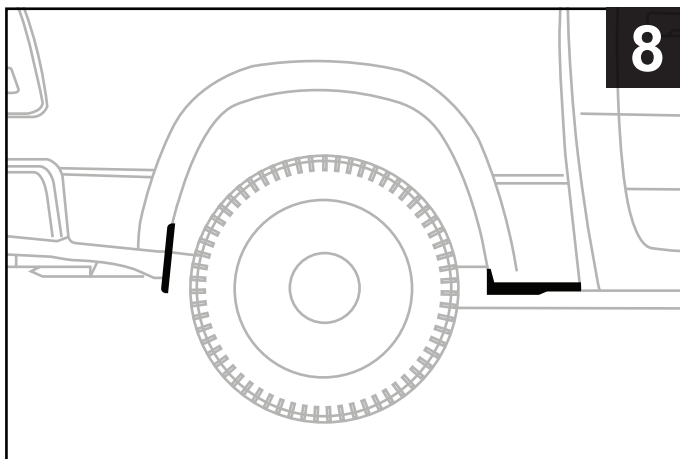
6. Tightly press flare against vehicle to evenly remove space between flare and vehicle. Tighten all 9 screws.



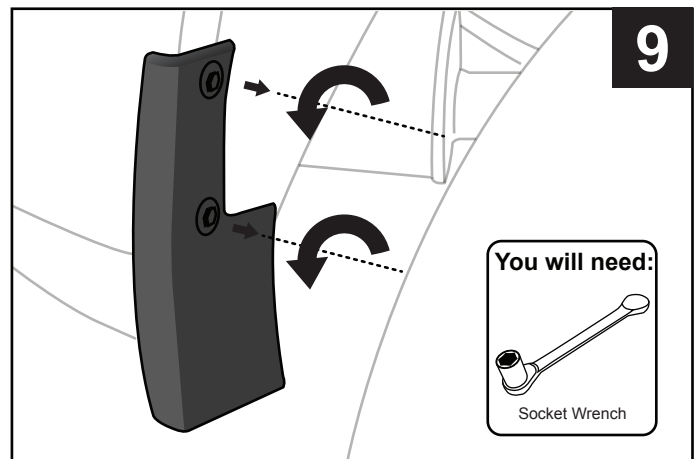
7. Front flare completed. Now onto rear flare installation.

REAR FLARES INSTALLATION

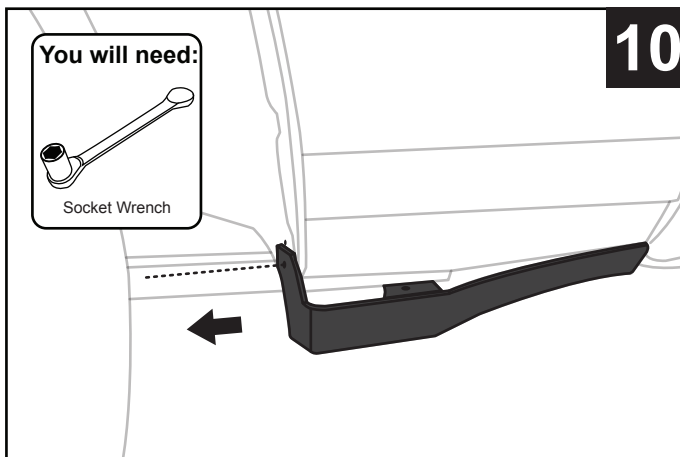
NOTE: Trucks without fender liners, the top 3 holes on the rear wheel well are empty



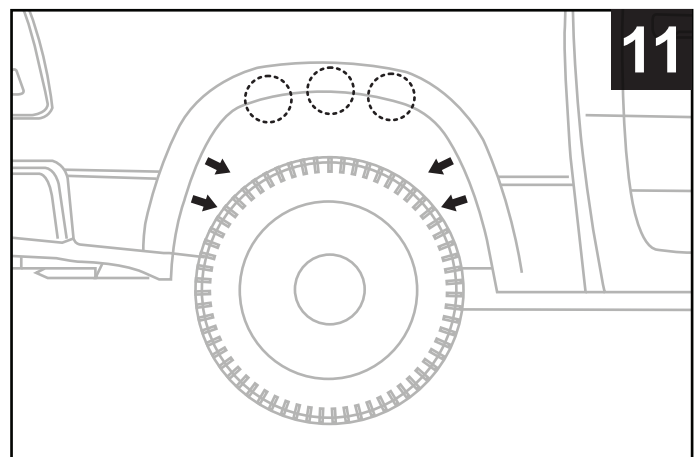
8. Start at 2 factory REAR wheel well mud flaps (vertical and horizontal) on PASSENGER side.



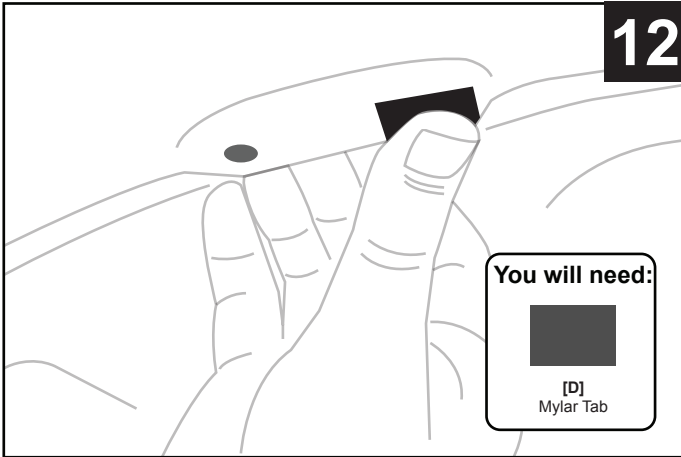
9. Remove 2 factory screws from vertical mud flap. Then uninstall the flap. Hold onto screws.



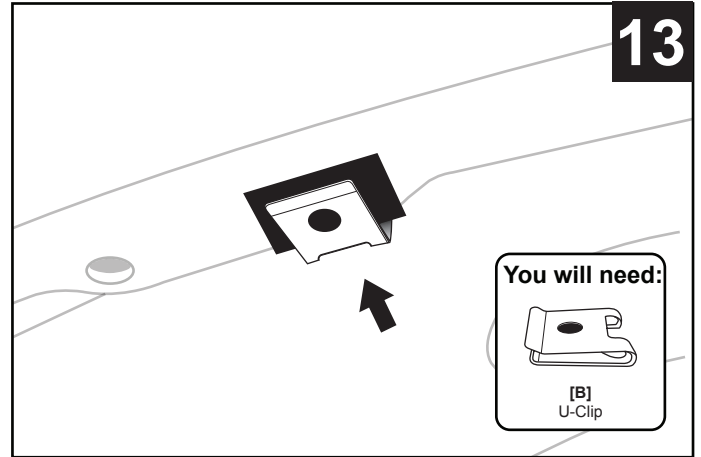
10. Remove 1 factory screw from horizontal mud flap. Then uninstall the flap. Hold onto screw (3 total).



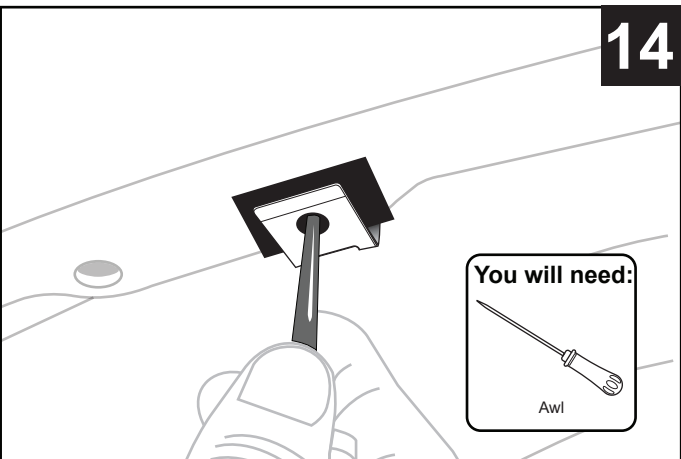
11. Remove 4 factory screws from inside of wheel well. Hold onto screws. You should have 7 factory screws for flare installation. Circles indicate factory hole locations for STEP 12.



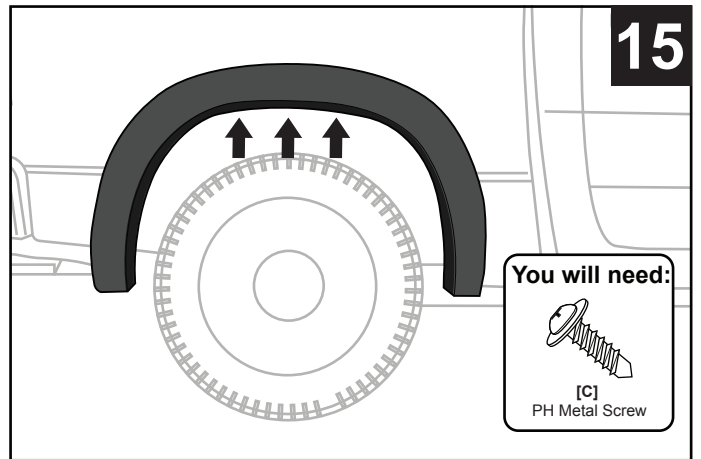
12. Apply supplied Mylar Tab [D] over each of the 3 top factory holes indicated in Step 11.



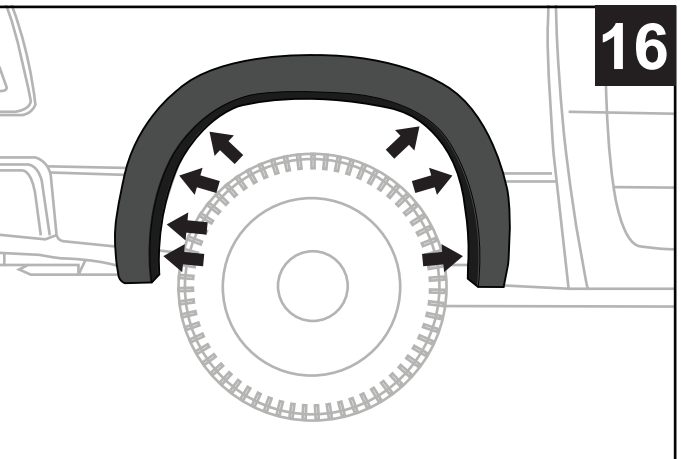
13. Install supplied U-Clip [B] by lining up clip hole with factory hole covered by Mylar Tab.



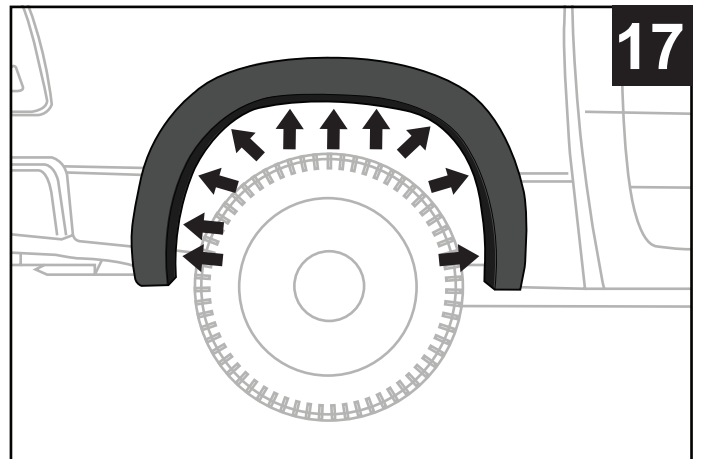
14. Poke a hole through U-Clip and Mylar Tab in a straight line using an awl or other pointed tools. Repeat STEPS 12-14 for remaining 2 factory hole locations indicated in STEP 11.



15. Secure flare against vehicle and apply 3 supplied PH Metal Screws [C] using a Phillips screwdriver without tightening.



16. Still securing flare, apply 7 factory screws (from STEPS 9-11) to their original factory holes without tightening.



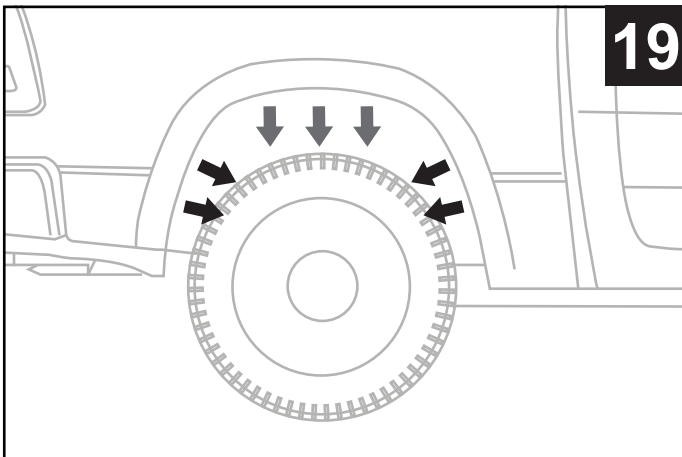
17. Tightly press flare against vehicle to evenly remove space between flare and vehicle. Tighten all 10 screws.



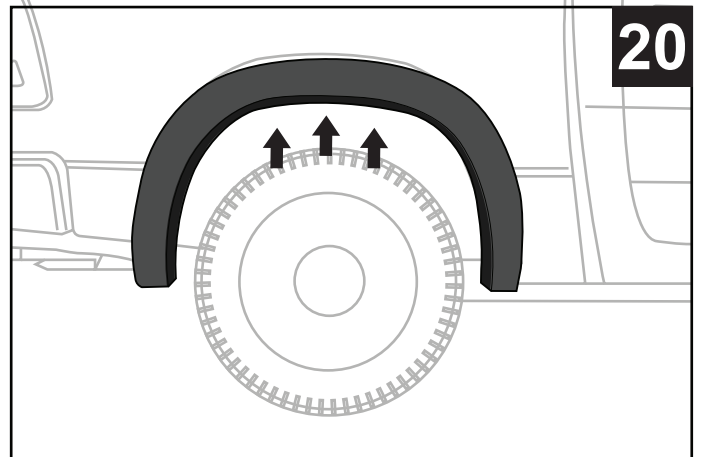
18. Rear flare without fender liners completed.

TRUCKS EQUIPPED WITH FENDER LINERS

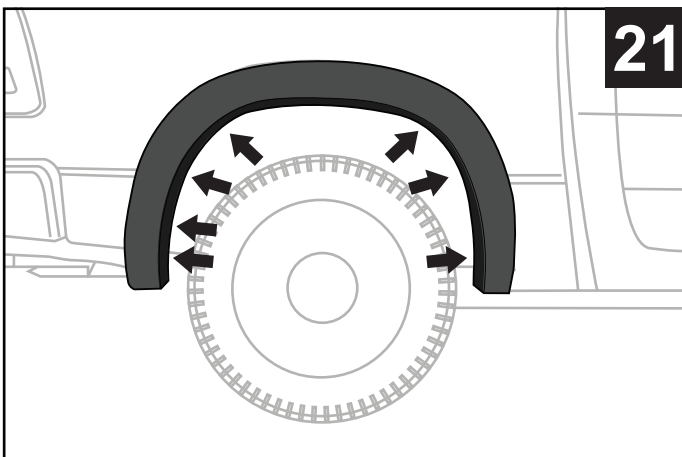
NOTE: Trucks equipped with fender liners will have 3 factory screws at the top of the fender.



19. Repeat **STEPS 8-10** (hold onto 3 screws). Then remove 7 factory screws from positions inside of wheel well shown in the diagram. Hold onto those screws. You should have 10 total factory screws for flare installation.



20. Secure flare against vehicle and apply 3 factory screws from **STEP 19** without tightening.



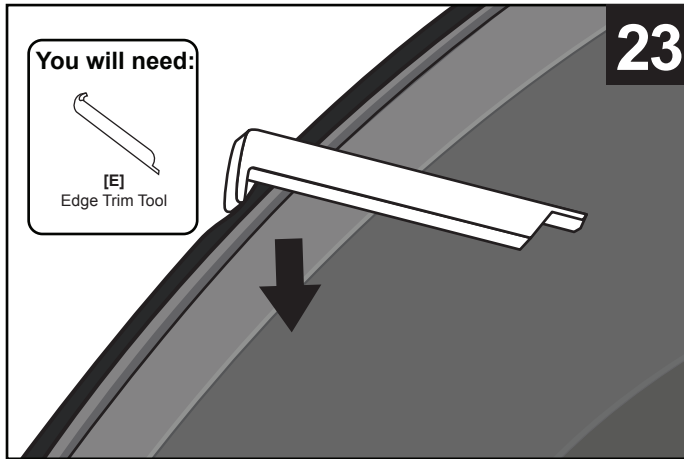
21. Still securing flare, apply remaining 7 factory screws to their original factory holes without tightening.



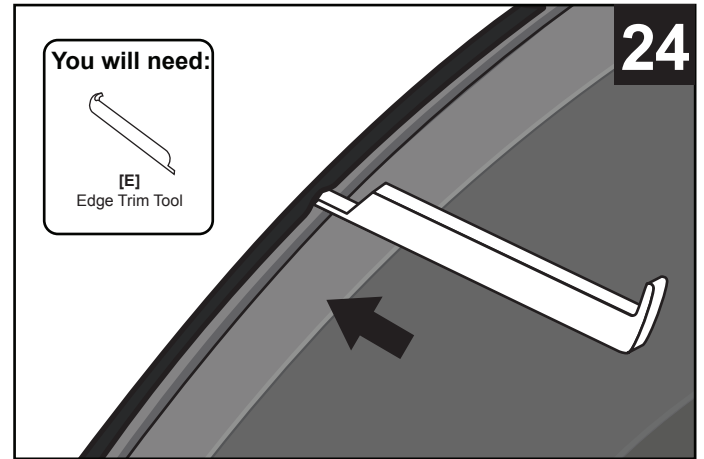
22. Tightly press flare against vehicle to evenly remove space between flare and vehicle. Tighten all 10 screws. Installation complete.



EDGE TRIM TOOL USAGE (OPTIONAL):



23. If needed, use supplied **Edge Trim Tool [E]** to trim outer edge by inserting the curved end, then sliding around the entire trim from one end to the other.

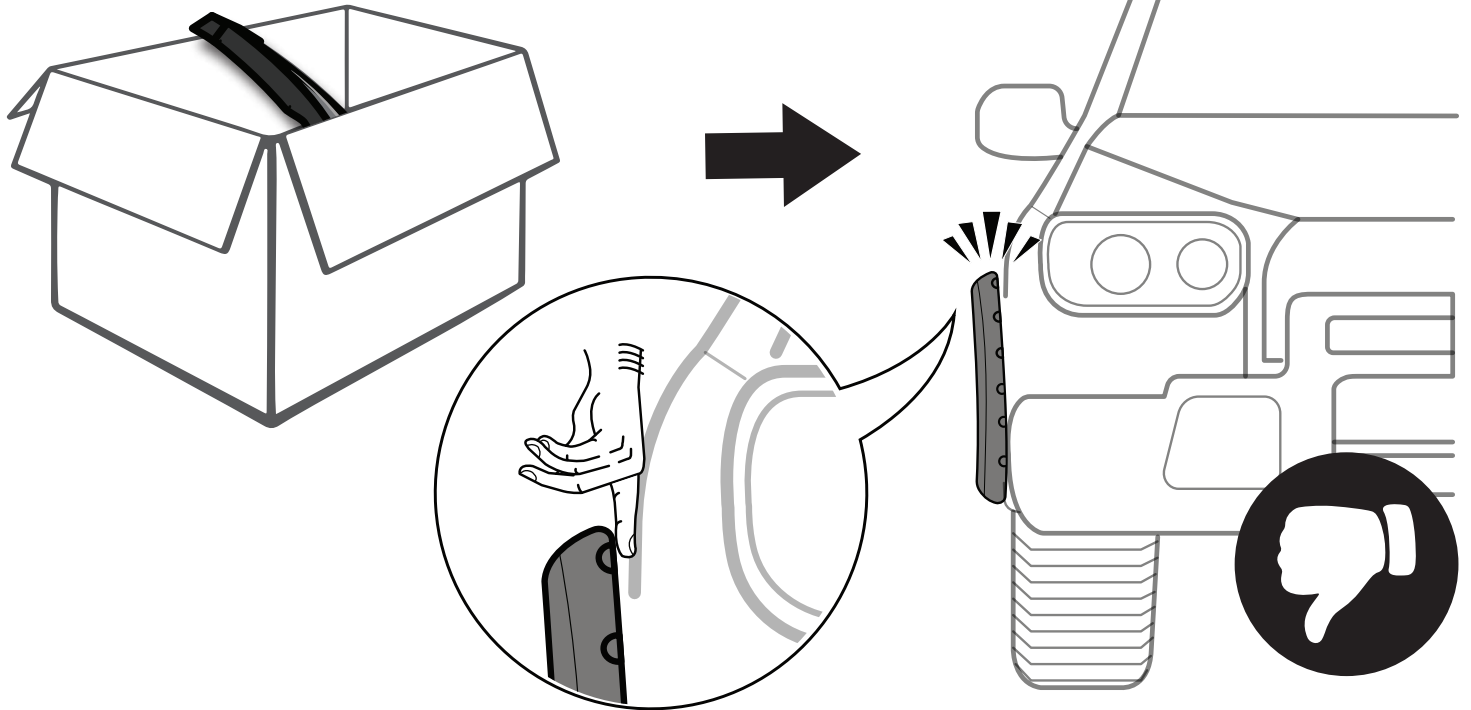


24. If needed, use supplied **Edge Trim Tool [E]** to trim inner edge by inserting the straight end, then sliding around the entire trim from one end to the other.

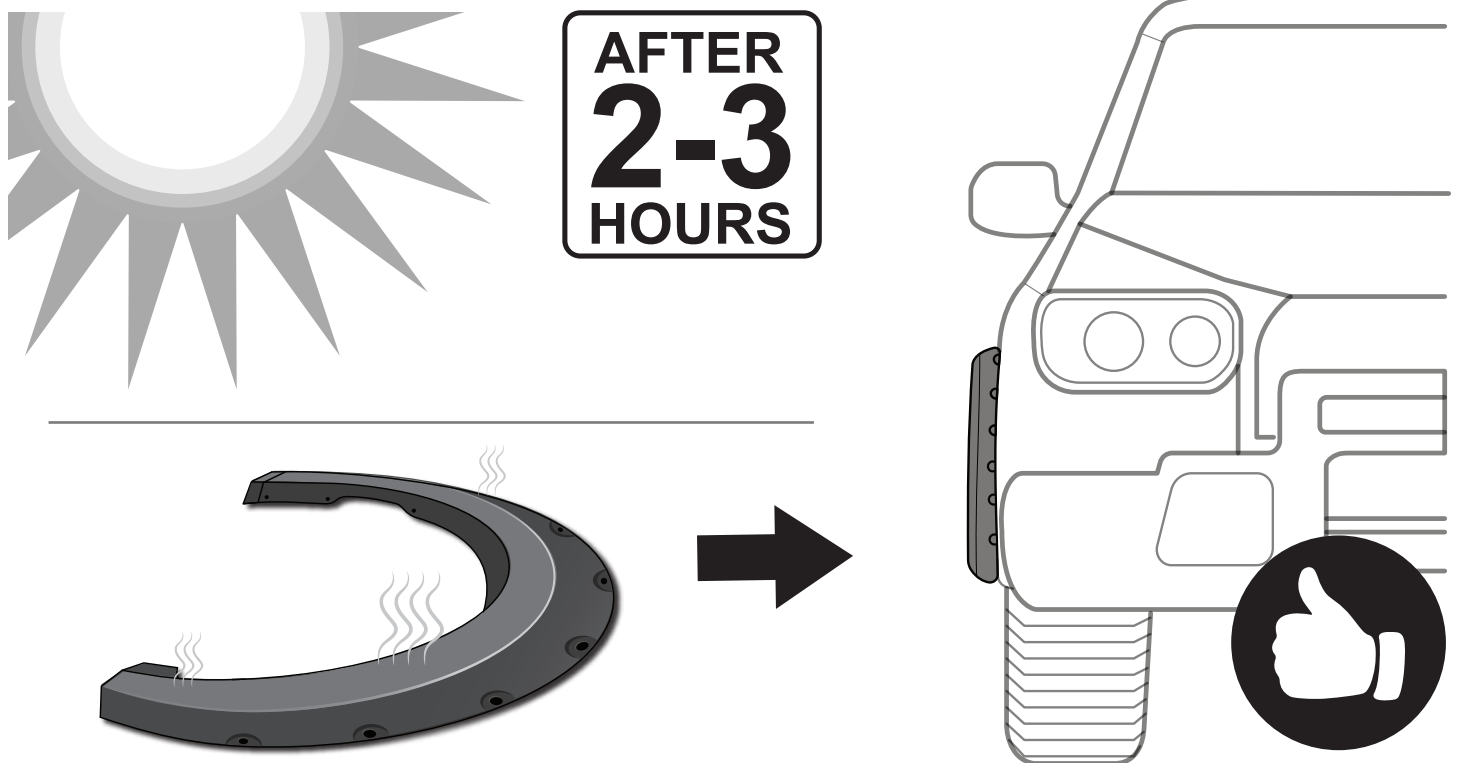


TYGER[®]

FITMENT OR GAP ISSUE?



SOLUTION!



*In winter, heat gun or hair dryer may be used instead.

Discover other fender flares on our website.