

WHY TYGER?

THE QUALITY YOU CAN TRUST.

1 Even thickness with Injection Moulding



2 Made from Impact-Resistant Polypropylene



3 Textured Matte Black Surface and Paintable



4 Easy Installation without the use of 3M Tape





BUILT TO BE TOUGH!



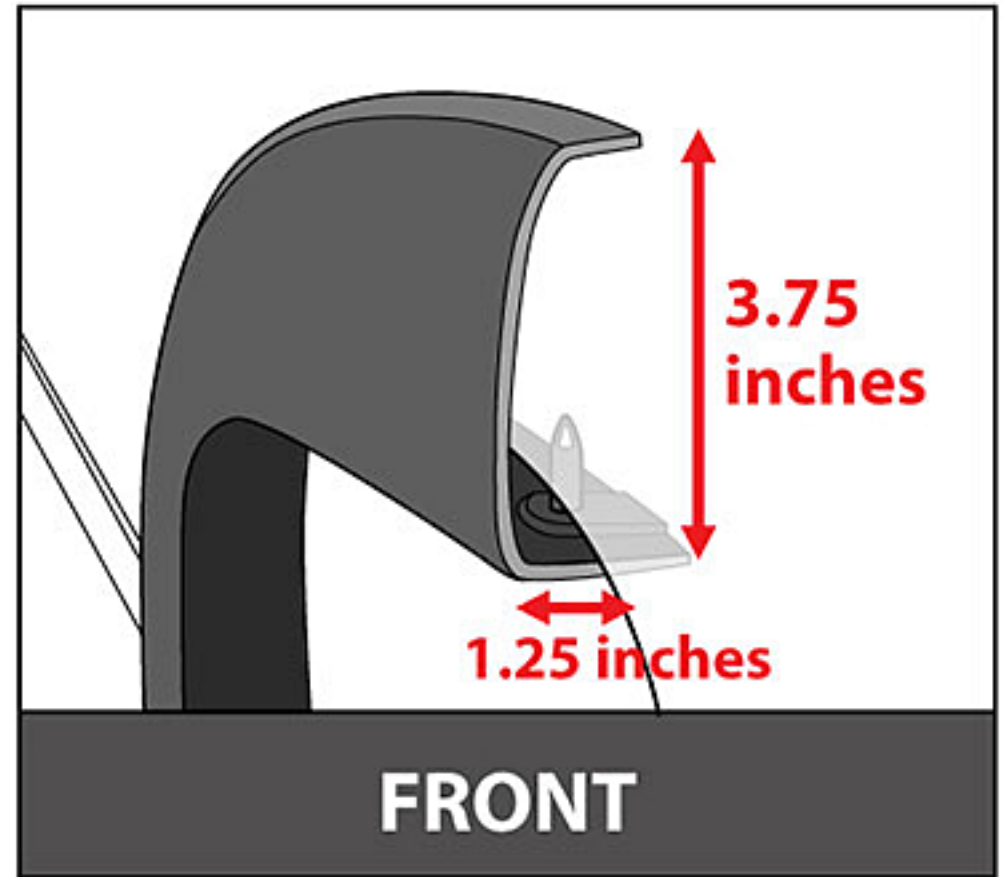
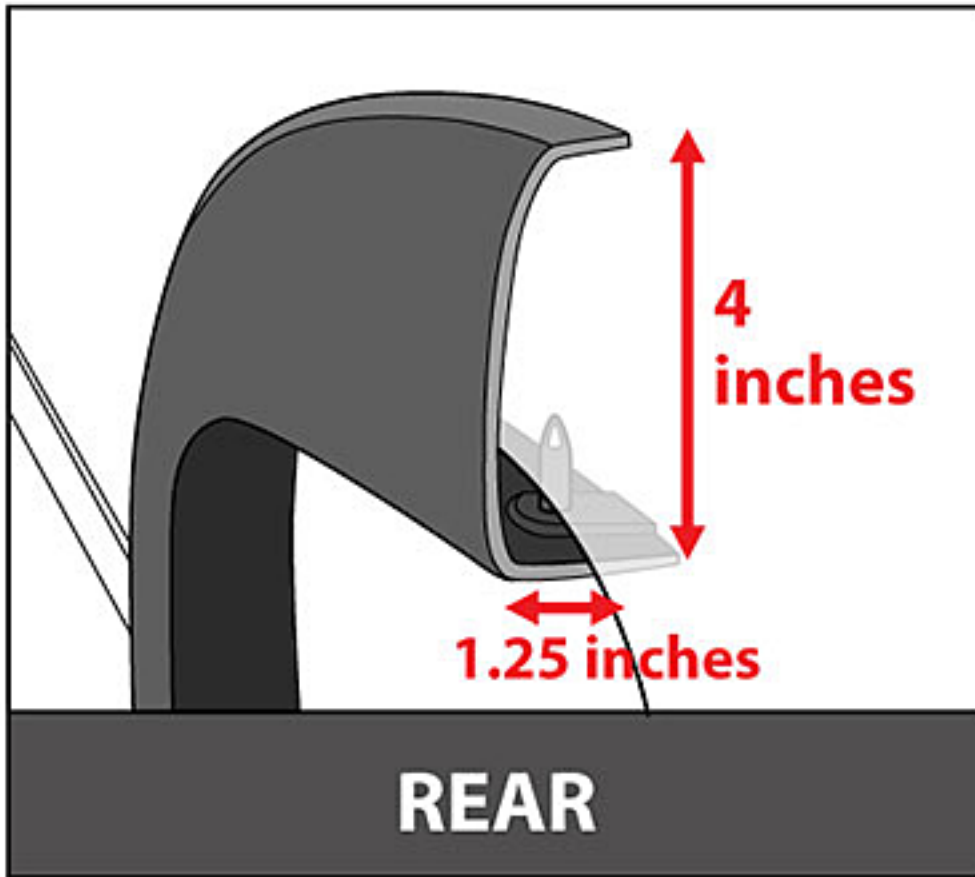
Made with
Injection Molding technology.

Made of
Impact Resistant Polypropylene,
Not the cheap ABS plastic.

(Actual products may vary by specific vehicles.)



EXTRA TIRE COVERAGE



Feel the difference with Tyger.

Shop the largest selection of fender flares in our online store.