

# WHY TYGER?

THE QUALITY YOU CAN TRUST.

**1** Even thickness with Injection Moulding



**2** Made from Impact-Resistant Polypropylene



**3** Textured Matte Black Surface and Paintable



**4** Easy Installation without the use of 3M Tape





# BUILT TO BE TOUGH!



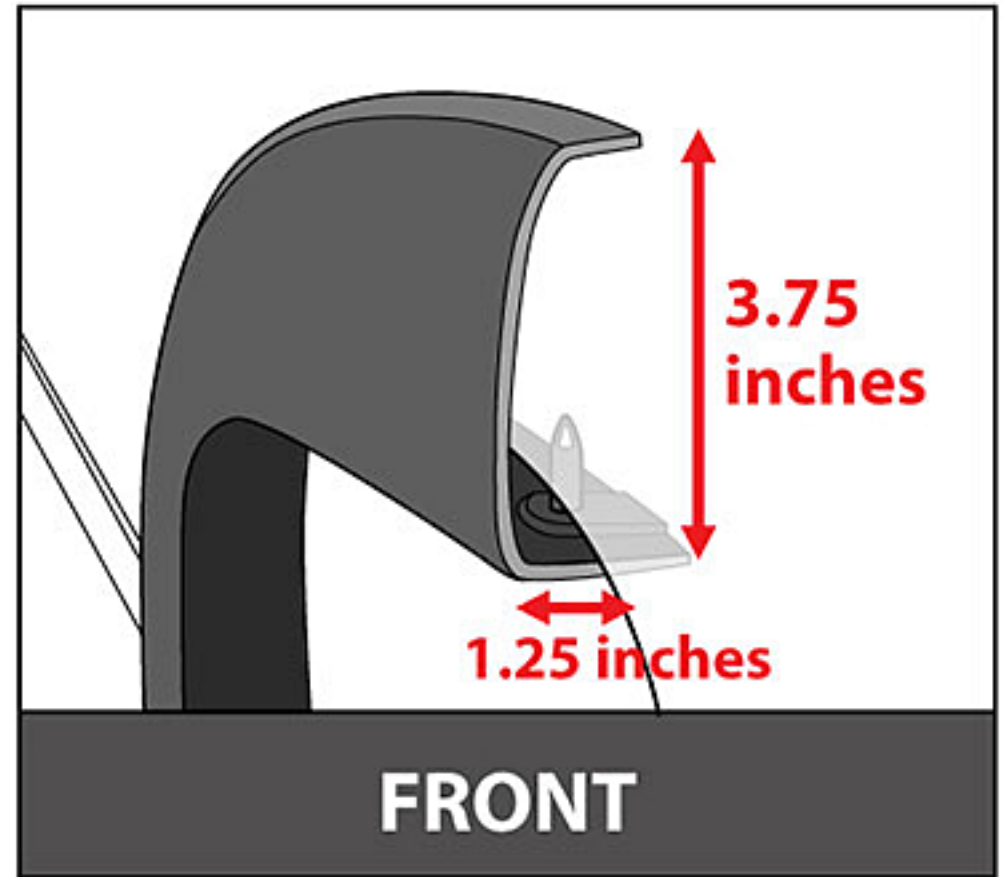
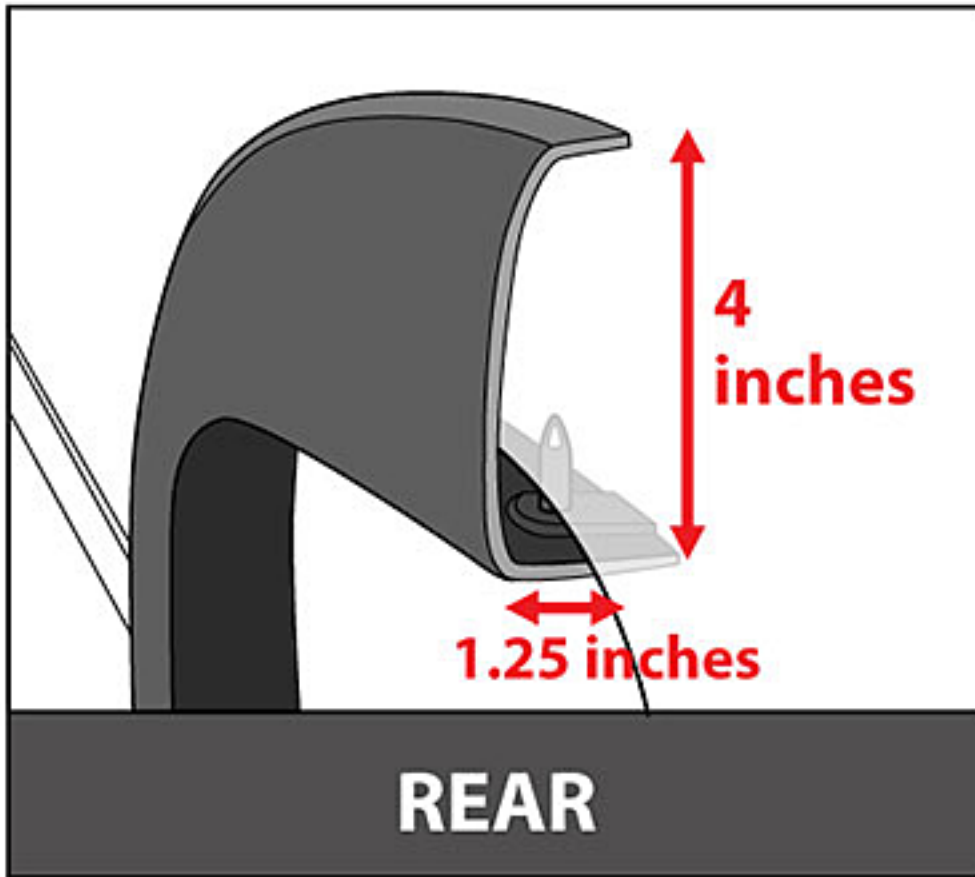
Made with  
Injection Molding technology.

Made of  
Impact Resistant Polypropylene,  
Not the cheap ABS plastic.

( Actual products may vary by specific vehicles. )



# EXTRA TIRE COVERAGE



Feel the difference with Tyger.

Shop the largest selection of fender flares in our online store.