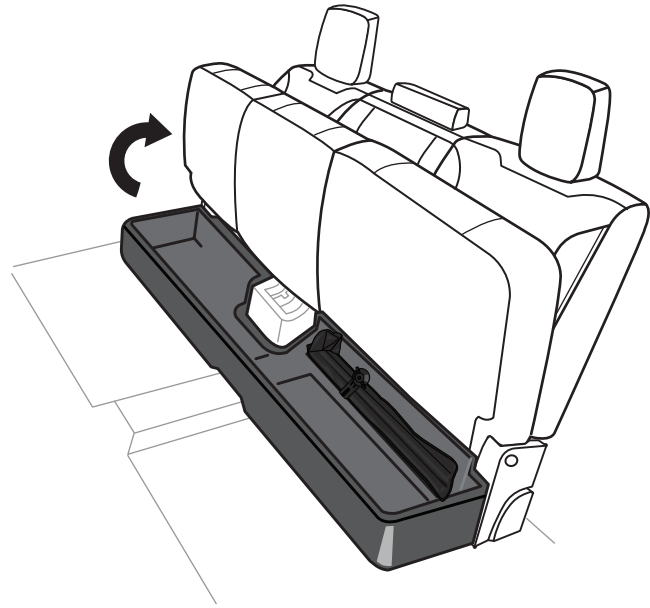


**TYGER<sup>®</sup>**

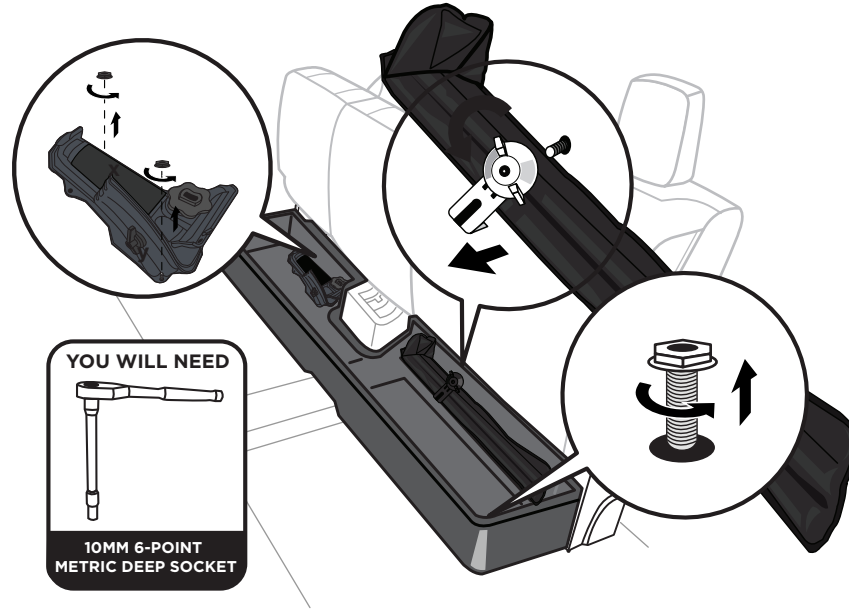
**UNDERSEAT ORGANIZER**  
**TG-CB5C2278**

1



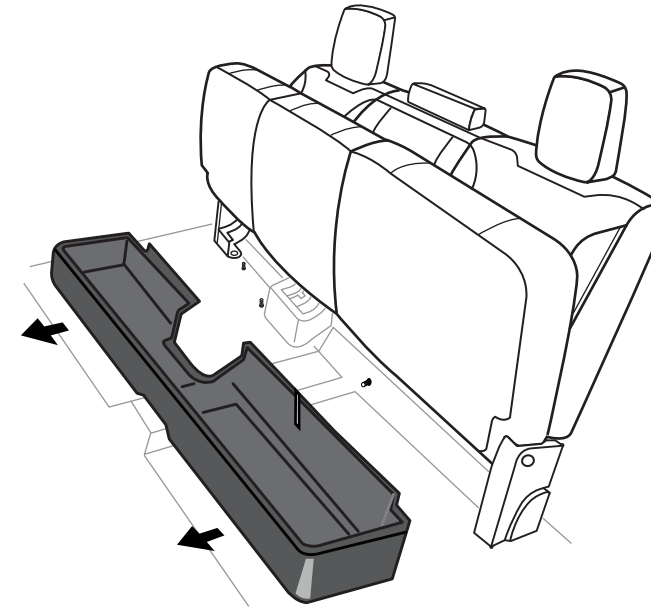
**NOTE:**  
SKIP THIS STEP IF NO STORAGE TRAY

2

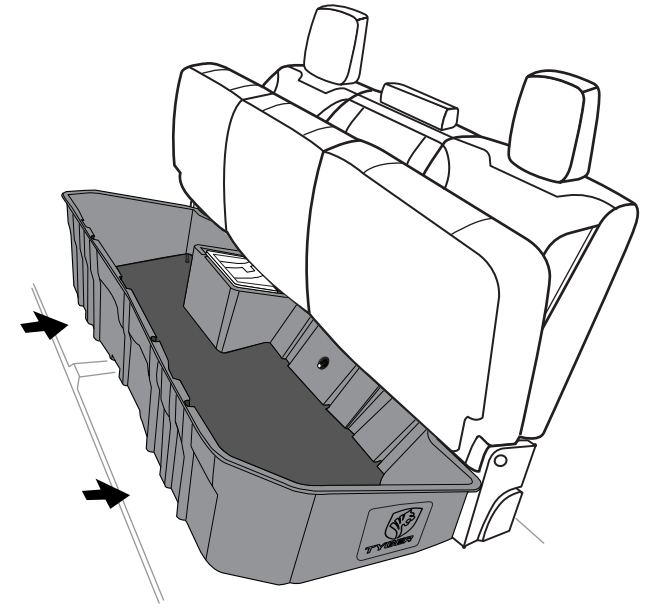


**NOTE:**  
KEEP BOTH FACTORY NUTS FOR REUSE (STEP 5)

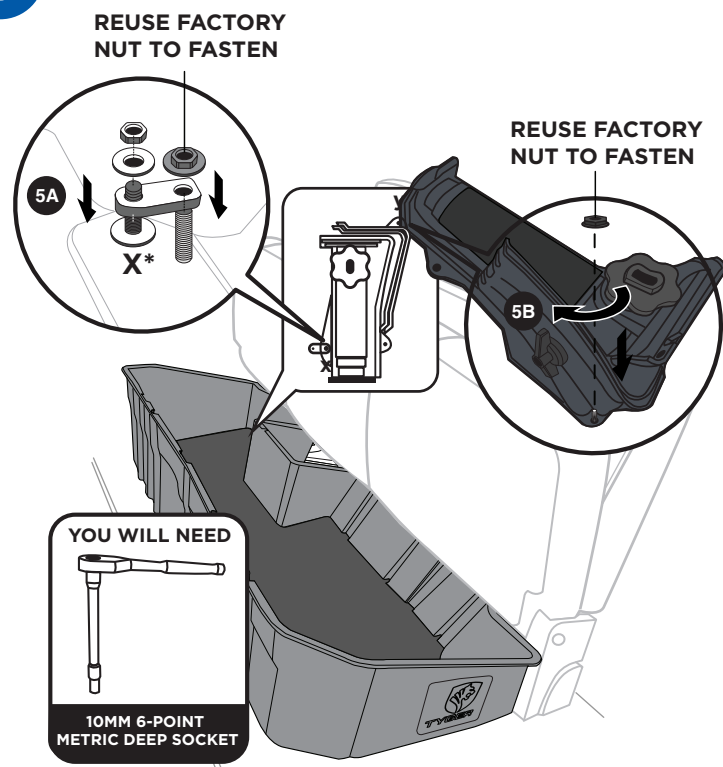
3



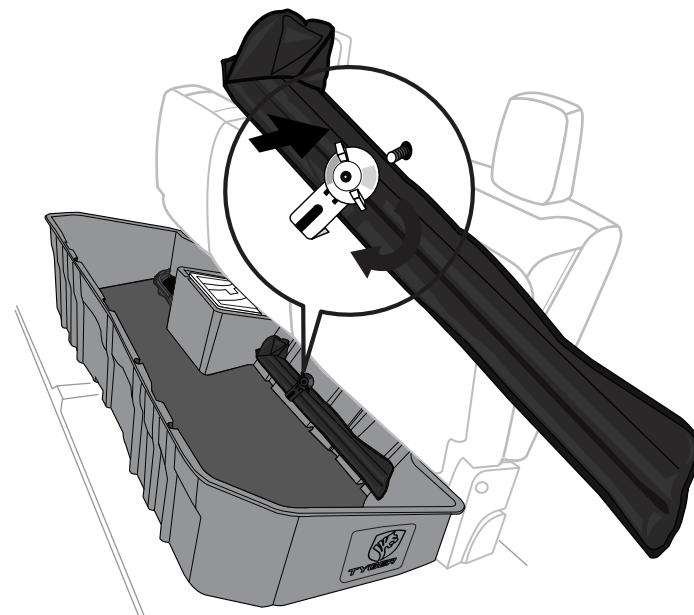
4



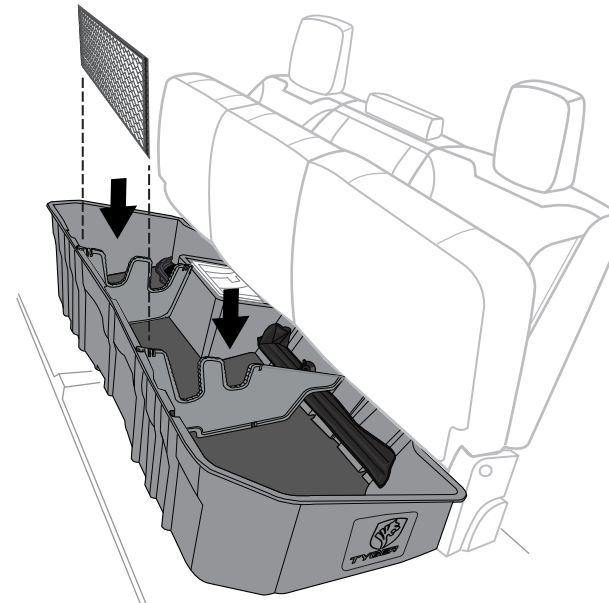
5



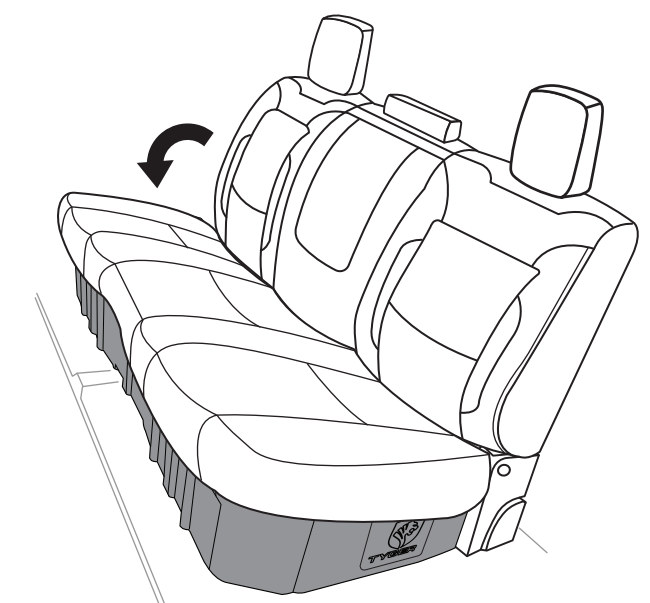
6



7



8



**\*NOTE:**  
APPLY PROVIDED HARDWARE KIT  
THROUGH HOLE (X) TO FASTEN THE JACK