



TYGER[®]

TYGER FURY[™]

TG-BP9T80698

BEFORE INSTALLATION

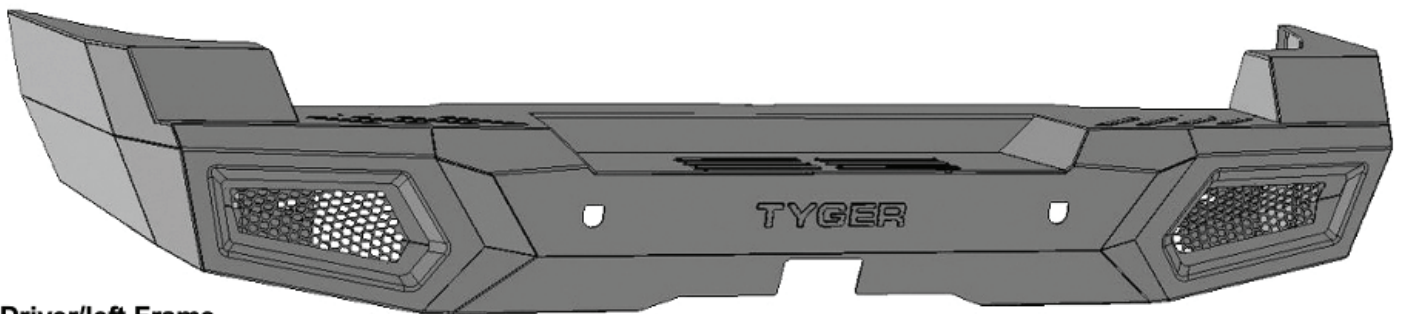
READ INSTRUCTIONS CAREFULLY BEFORE STARTING INSTALLATION. REMOVE CONTENTS FROM BOX AND VERIFY ALL PARTS ARE PRESENT. FAILURE TO IDENTIFY DAMAGE BEFORE INSTALLATION COULD LEAD TO A REJECTION OF ANY CLAIM. IF MISSING PARTS OR ANY DAMAGE FOUND, PLEASE TAKE A PICTURE FOR THE CLAIM PURPOSE.

TORQUE VALUES

Fastener Size	Class 8.8 Torque (ft-lbs)	Class 10.9 Torque (ft-lbs)
6mm	6-7	6-7
8mm	15-16	22-23
10mm	31-32	44-45
12mm	54-55	78-79
14mm	87-88	125-126

Parts List

- x1 Rear Bumper Assembly
- x1 Driver/left Mounting Bracket
- x1 Passenger/right Mounting Bracket
- x2 12mm x 40mm Double Bolt Plates
- x2 12mm x 40mm Single Bolt Plates
- x6 12mm Plastic Retainer Washers
- x4 12mm-1.25mm x 40mm Fine Thread Hex Bolts
- x6 12mm x 37mm x 3mm Flat Washers
- x4 12mm x 32mm x 3mm Flat Washers
- x10 12mm Lock Washers
- x6 12mm Hex Nuts
- x10 Wire Ties



Driver/left Frame Mounting Bracket



- ← (6) 12mm Plastic Retainers
- ← (2) 12mm Bolt Plates
- ← (2) 12mm Double Bolt Plates

Passenger/right Frame Mounting Bracket



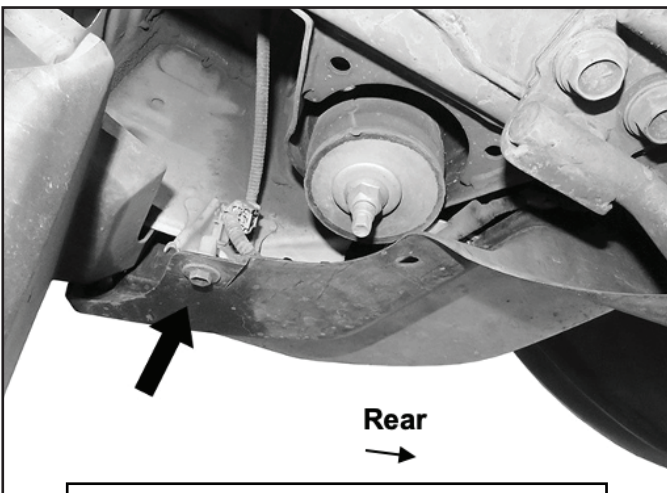


PROCEDURE:

REMOVE CONTENTS FROM BOX. VERIFY ALL PARTS ARE PRESENT. READ INSTRUCTIONS CAREFULLY BEFORE STARTING INSTALLATION. BUMPER IS HEAVY, ASSISTANCE IS HIGHLY RECOMMENDED TO AVOID POSSIBLE INJURY OR DAMAGE TO THE VEHICLE. CUTTING IS REQUIRED.

STEP 1

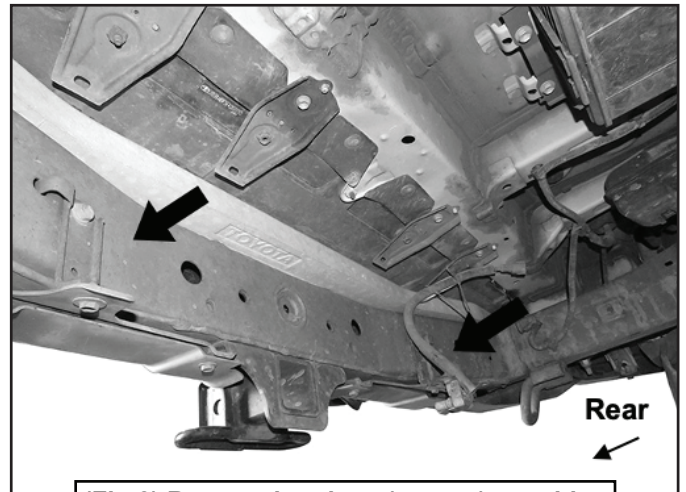
Move to the bottom of the bumper and remove the hardware attaching the passenger/right bumper end to the lower body (Fig 1). Unplug the wiring harness.



(Fig 1) Remove hardware attaching bottom of plastic bumper cover, (passenger/right side pictured from below bumper). Unplug wiring harness if equipped

STEP 2

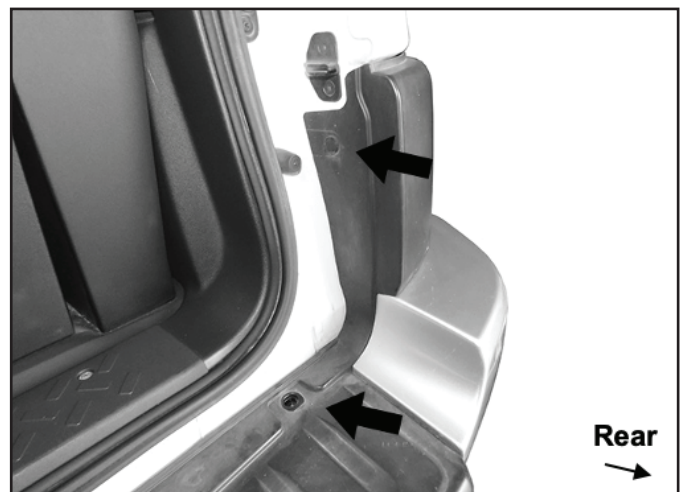
Move to the center of the bumper and remove the brackets attaching the bottom of the bumper to the back of the crossmember (Fig 2). Temporarily remove the hardware attaching the trailer plug to the cover and frame if equipped. Continue to the driver/left end of the bumper and repeat **STEP 1** to release the bottom of the bumper cover.



(Fig 2) Remove brackets (arrows) attaching bottom of bumper to back of crossmember

STEP 3

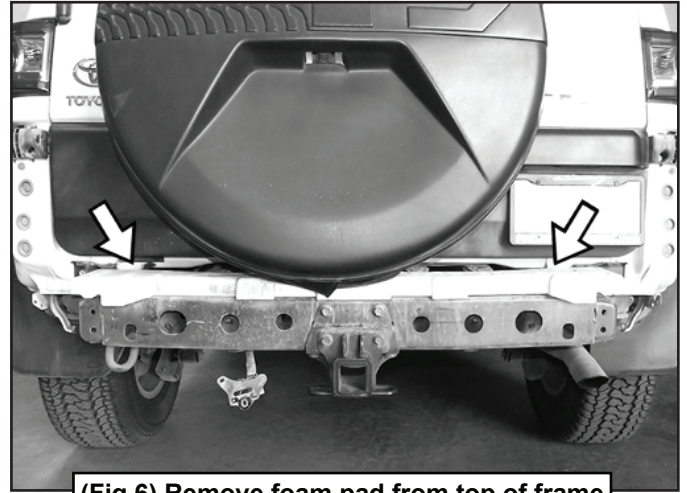
Open the rear door and carefully remove the fastener attaching the passenger/right side bumper end to the inside of the body (Fig 3). Next, remove the bolts attaching the top of the bumper cover to the bottom of the door opening (Fig 4). Firmly pull the passenger/right bumper end outward to pop the cover off of the inner clips. Repeat to release the driver/left bumper end and pull the entire plastic bumper cover off of the vehicle (Fig 5). Move bumper cover to a stable surface.



(Fig 3) Remove the clip attaching the passenger/right end of the bumper cover to the body (top arrow)



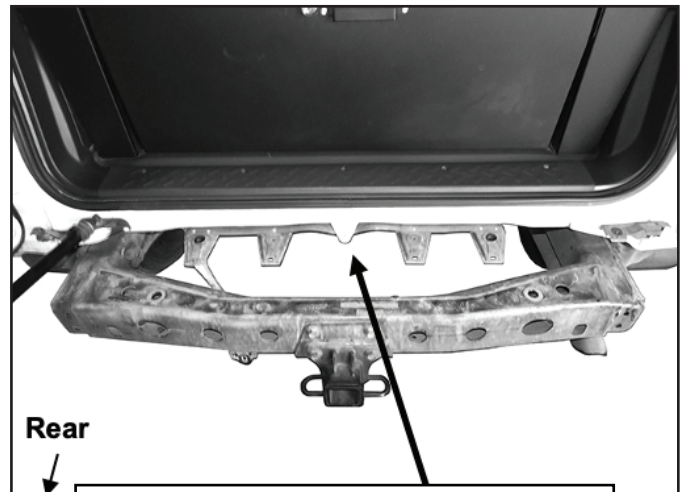
(Fig 4) Remove hardware attaching top of plastic bumper cover



(Fig 6) Remove foam pad from top of frame



(Fig 5) Pull end of bumper cover outward to release from clips (passenger/right side pictured)



(Fig 7) Remove top bumper mounting bracket with tabs from bottom of body. NOTE: It may be necessary to bend center tab downward by hand to clear Bumper

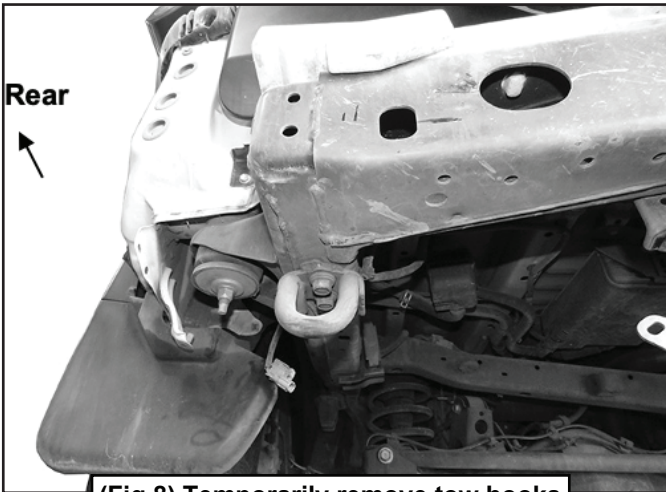
STEP 4

Remove the foam pad from the top of the frame (Fig 6). Also remove the mounting plate for the top of the bumper cover from the bottom of the body (Fig 7).

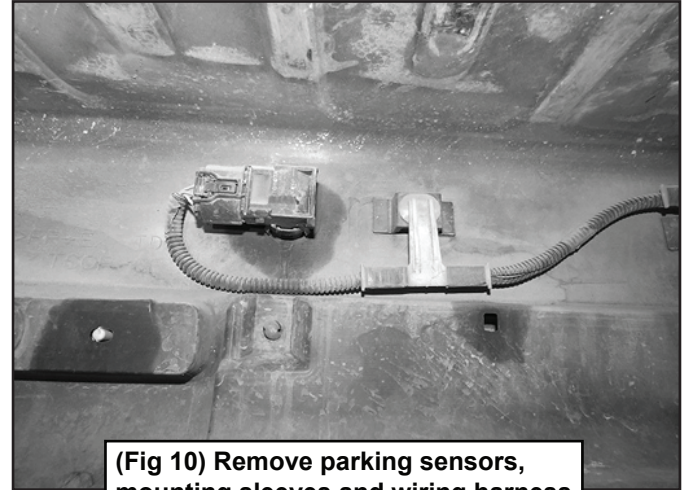
NOTE: Remove mounting plate from below vehicle, leave outer mounting plates to support plastic bumper cover.

STEP 5

Temporarily remove tow hooks if equipped (Fig 8).



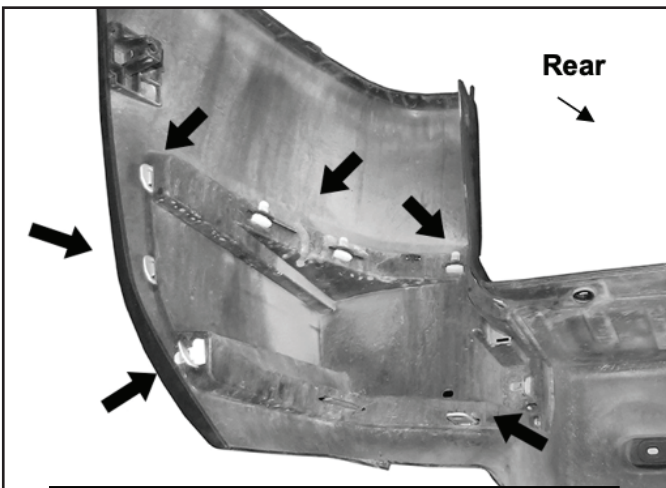
(Fig 8) Temporarily remove tow hooks



(Fig 10) Remove parking sensors, mounting sleeves and wiring harness from back of plastic bumper

STEP 6

Carefully remove the outer corner covers from the bumper cover (Fig 9). Remove the wiring harness, sensors and sensor mounting sleeves, (if equipped), from the bumper cover (Fig 10).



(Fig 9) Release clips to remove outer bumper corner (passenger/right side pictured)

WARNING! DO NOT crawl under bumper unless it is properly supported on blocks or stands or the bumper may fall.

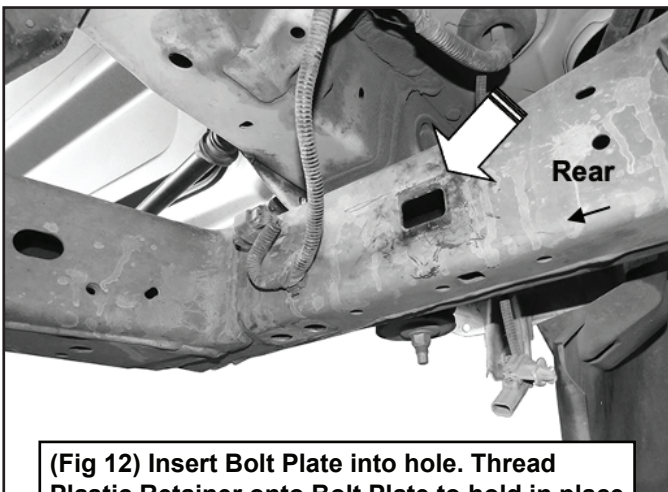
STEP 7

Locate and remove the sealing tape covering the square hole in the side of the frame (Fig 11). Use a large flat blade screwdriver to pry the wire harness clip out of the frame (Fig 12). Select (1) 12mm Single Bolt Plate and (1) 12mm Plastic Retainer Washer. Partially thread the Plastic Retainer onto the threaded end of the Bolt Plate (Fig 13). Insert the Bolt Plate into square hole in the frame. Thread the Plastic Retainer down until it is tight against the frame (Figs 12-14).

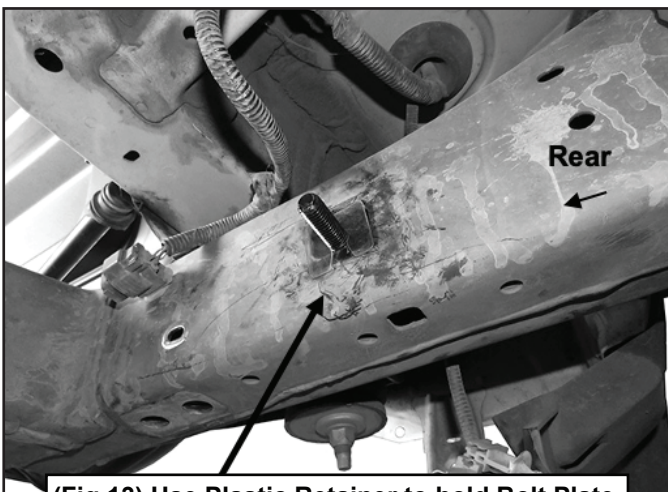
NOTE: The Plastic Retainer Washer is used to help hold the Bolt Plate in place. DO NOT drop Bolt Plate into the frame.



(Fig 11) Remove cover over hole in frame (arrow-driver/left side pictured)

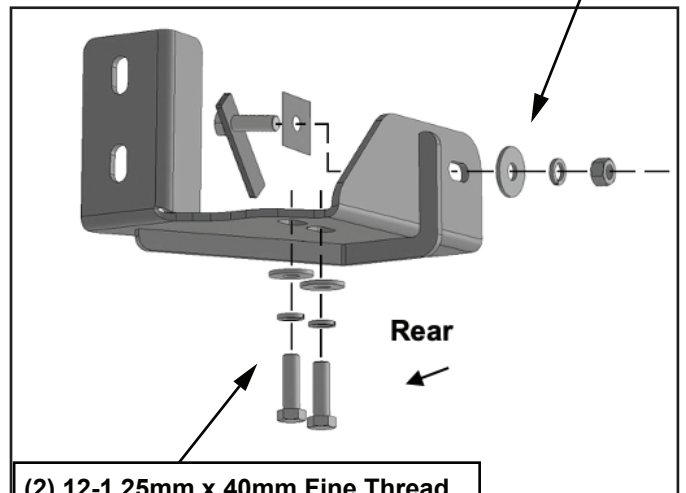


(Fig 12) Insert Bolt Plate into hole. Thread Plastic Retainer onto Bolt Plate to hold in place



(Fig 13) Use Plastic Retainer to hold Bolt Plate

- (1) 12mm Bolt Plate
- (1) 12mm Plastic Retainer
- (1) 12mm x 37mm Large Flat Washer
- (1) 12mm Lock Washer
- (1) 12mm Hex Nut



- (2) 12-1.25mm x 40mm Fine Thread Hex Bolts (or reuse factory bolts)
- (2) 12mm Lock Washers
- (2) 12mm x 32mm STD Flat Washers

(Fig 14) Attach driver/left Mounting Bracket to the 12mm Bolt Plate and bottom of frame

STEP 8

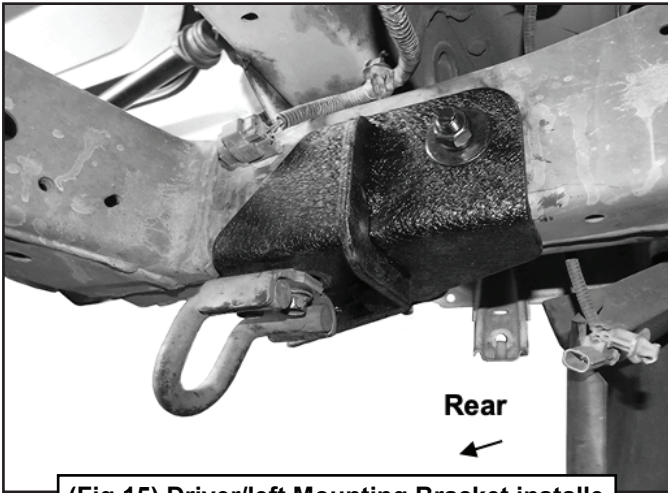
Select the driver/left Frame Mounting Bracket, (Figure 14). Attach the Bracket to the Bolt Plate in the side of the frame with the included (1) 12mm x 37mm Large Flat Washer, (1) 12mm Lock Washer and (1) 12mm Hex Nut. DO NOT fully tighten hardware at this time.

STEP 9

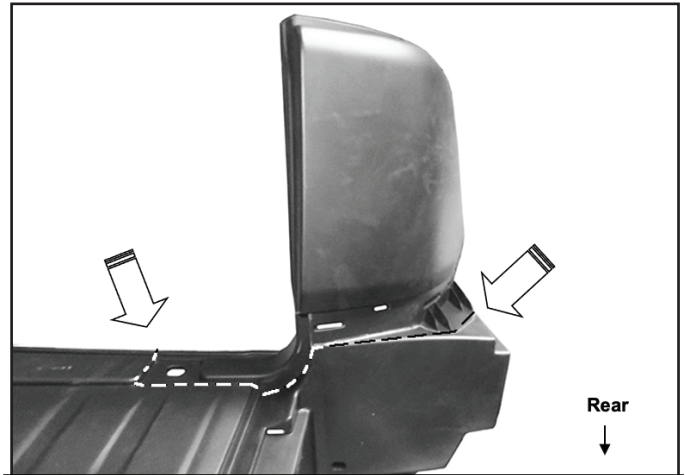
Reuse the (2) factory hex bolts from the tow hooks or the included (2) 12mm x 1.25mm x 40mm Fine Thread Hex Bolts, (2) 12mm Lock Washers and (2) 12mm x 32mm STD Flat Washers to attach the tow hook to the Bracket and bottom of the frame (Figs 14 & 15). DO NOT fully tighten hardware.



TYGER[®]



(Fig 15) Driver/left Mounting Bracket installed



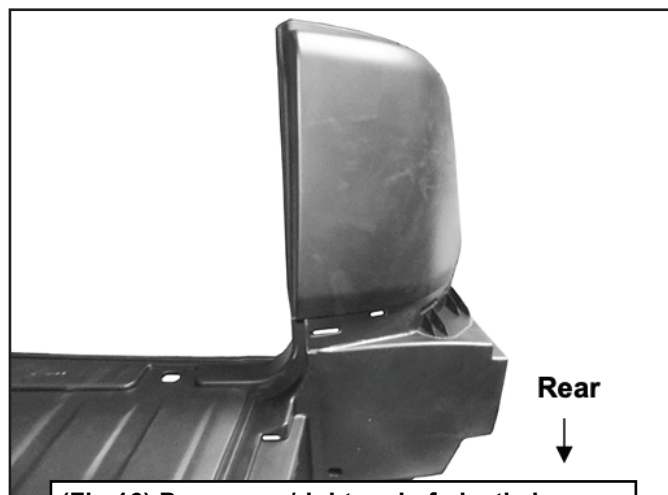
(Fig 17) Cut plastic bumper along dashed line. Dashed lines are for reference to clear back of TYGER Bumper.

STEP 10

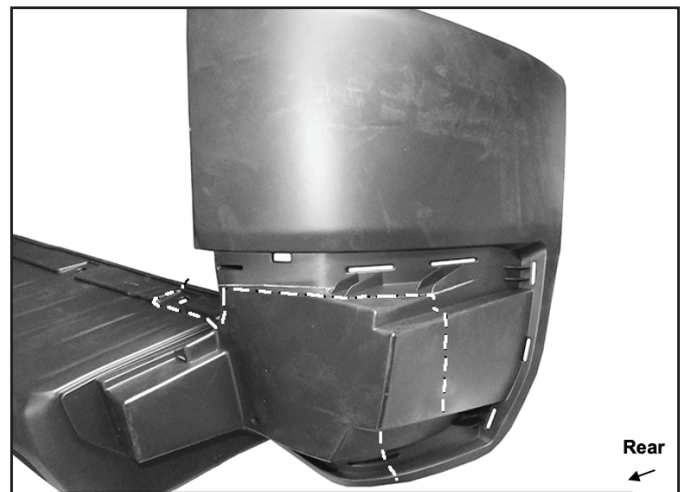
Repeat **STEPS 7-9** to install the passenger/right Frame Mounting Bracket.

STEP 11

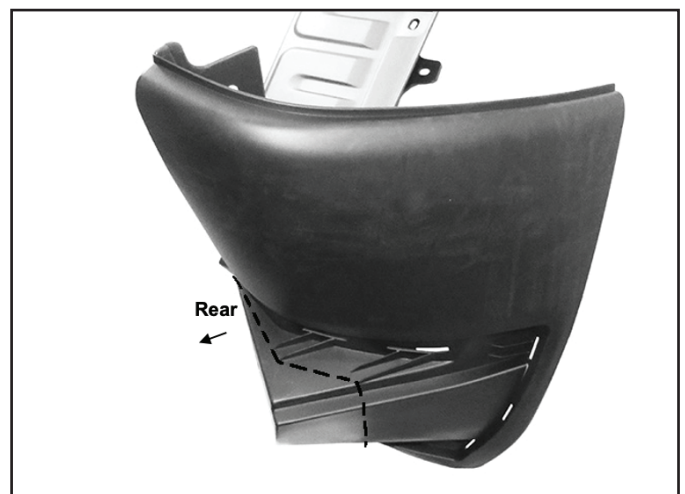
Move to the passenger/right end of the plastic bumper cover (Fig 16). Locate the top outer mounting tab on the bumper (Fig 17). Use a hacksaw blade to cut along the inner mount and along the back as pictured (Figs 16-20).



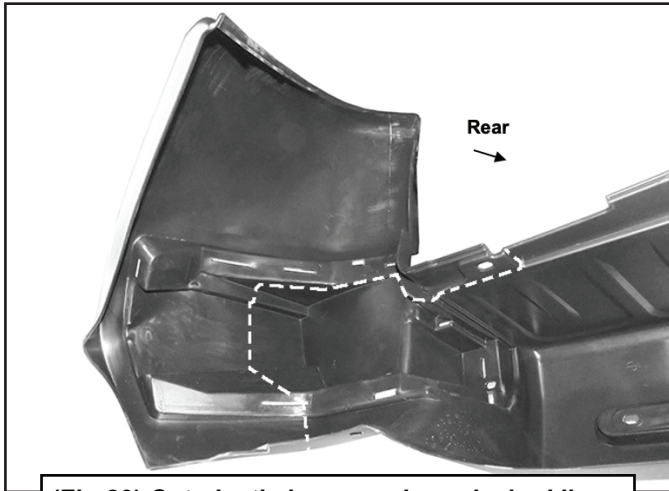
(Fig 16) Passenger/right end of plastic bumper



(Fig 18) Cut plastic bumper along dashed line

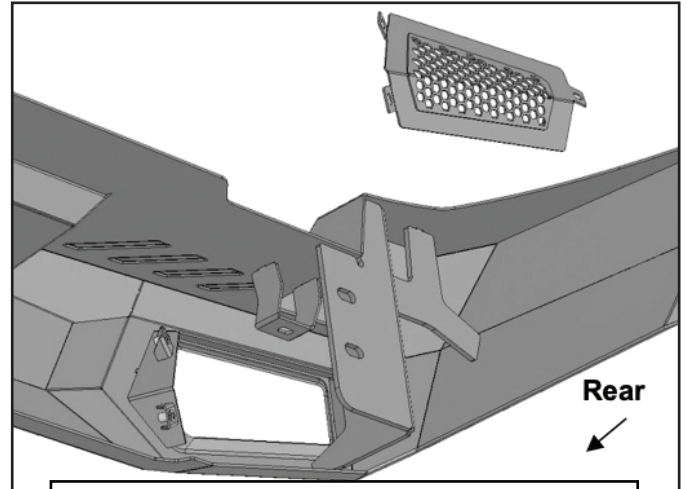


(Fig 19) Cut plastic bumper along dashed line



(Fig 20) Cut plastic bumper along dashed line. Passenger/right end of bumper pictured from back of bumper cover. Dashed guide line is for reference purposes, check fit against TYGER Bumper for clearance and trim as necessary

- a. Remove the screen from the opening (Fig 21).
NOTE: Remove the Screens before installing Bumper.
- b. Attach light, (not included), to mounting tab on back of Bumper.



(Fig 21) Remove screens to install outer lights

STEP 12

Reinstall the cut sections of the plastic bumper. Reuse the factory hardware to attach the bottom and inner ends of the plastic bumper ends.

STEP 13

Carefully unwrap the Bumper.

STEP 14

Attach the sensors and harness to the TYGER Bumper.

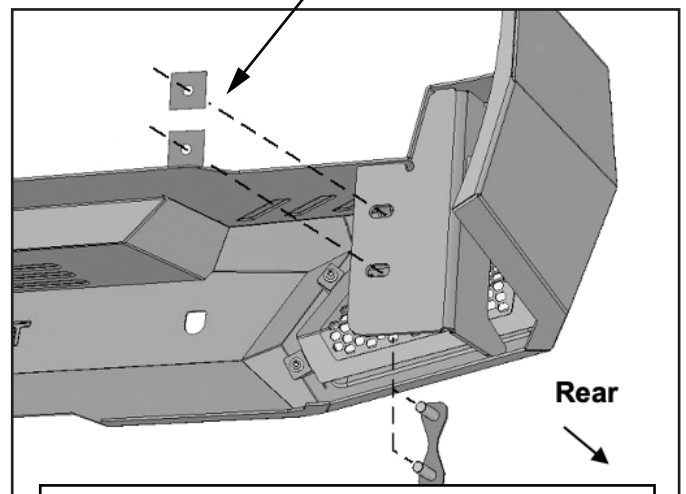
STEP 15

LED light installation at ends of bumper (sold separately).

STEP 16

Select (1) 12mm Double Bolt Plate and (2) 12mm Plastic Retainers (Fig 22). Insert the Bolt Plate through the mounting plate on the back of the driver/left side of the Bumper. Thread the Plastic Retainers down the Bolt Plate to hold it in place. Repeat this STEP to insert (1) Double Bolt Plate in to the passenger/right side of the Bumper.

(2) 12mm Plastic Retainers



(Fig 22) Attach Double Bolt Plate to Bumper with Plastic Retainers (use of Retainers is optional)



STEP 17

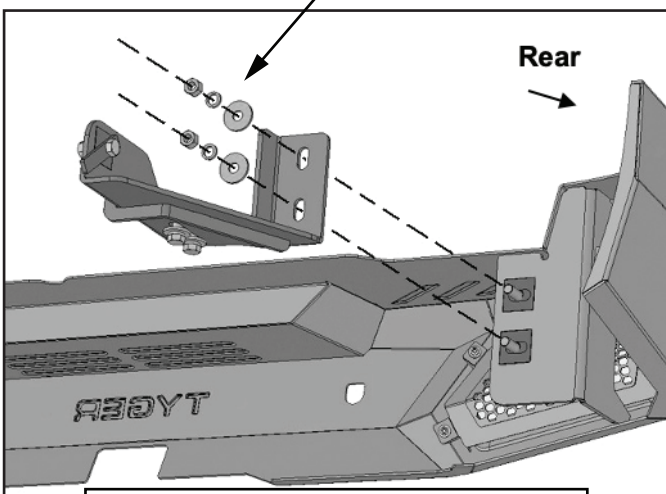
With assistance, position the Bumper Assembly up in position to make sure there is clearance between the plastic bumper cover and the Bumper. Trim as necessary. Temporarily support the weight of the Bumper.

WARNING: To avoid possible injury or damage to the vehicle, DO NOT proceed until the bumper is fully and safely supported. If necessary, bend the center mounting tab for the bumper cover down to clear the top of the Bumper.

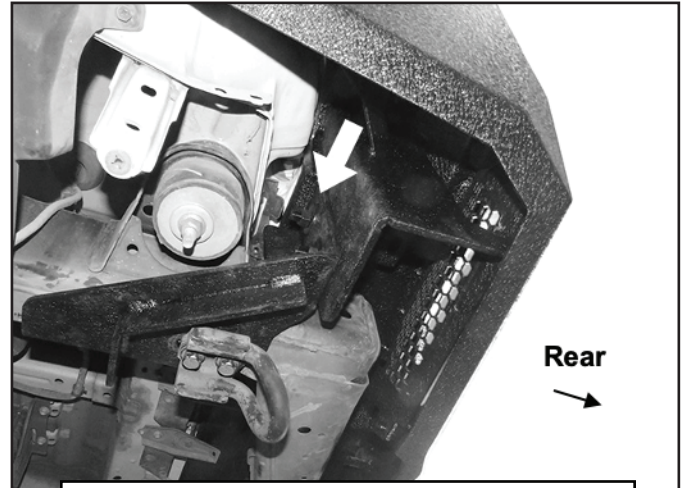
STEP 18

Attach the Bumper to the driver/left Bracket with the included (2) 12mm x 37mm Large Flat Washers, (2) 12mm Lock Washers and (2) 12mm Hex Nuts (Figs 23 & 24). Leave hardware loose at this time. Repeat this STEP to attach the passenger/right side of the Bumper to the Bracket.

(2) 12mm x 37mm Large Flat Washers
(2) 12mm Lock Washers
(2) 12mm Hex Nuts



(Fig 23) Remove Screens for accessory light installation (lights not included)



(Fig 24) Driver/left side of Bumper attached to Mounting Bracket and Double Bolt Plate

STEP 19

Level and adjust the bumper and fully tighten all hardware.

STEP 20

Do periodic inspections to the installation to make sure that all hardware is secure and tight.