



TYGER®

REAR BUMPER

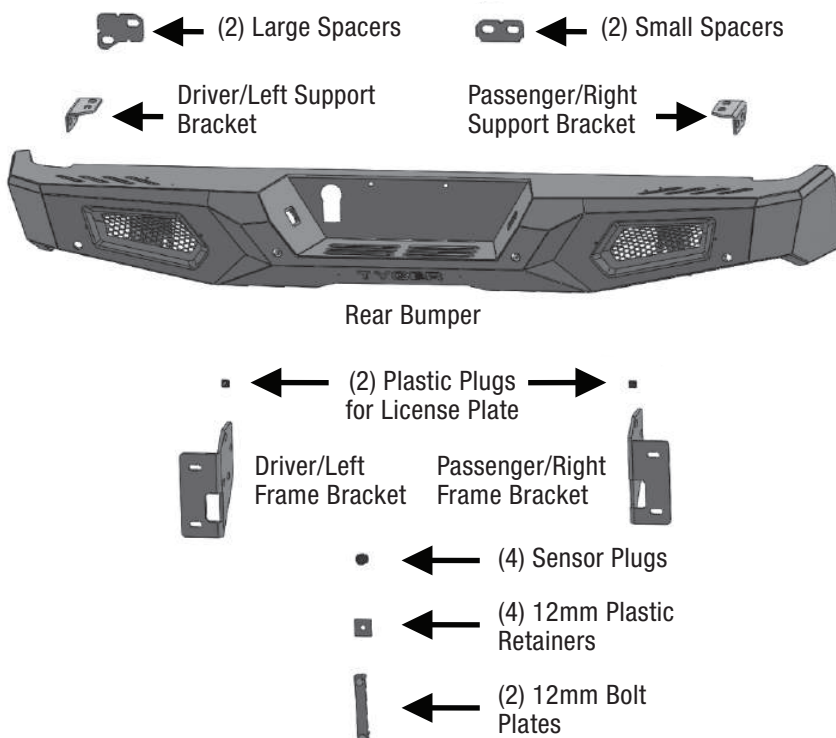
TG-BP9T80598

BEFORE INSTALLATION

READ INSTRUCTIONS CAREFULLY BEFORE STARTING INSTALLATION. REMOVE CONTENTS FROM BOX AND VERIFY ALL PARTS ARE PRESENT. FAILURE TO IDENTIFY DAMAGE BEFORE INSTALLATION COULD LEAD TO A REJECTION OF ANY CLAIM. IF MISSING PARTS OR ANY DAMAGE FOUND, PLEASE TAKE A PICTURE FOR THE CLAIM PURPOSE.

TORQUE VALUES

Fastener Size	Class 8.8 Torque (ft-lbs)	Class 10.9 Torque (ft-lbs)
6mm	6-7	6-7
8mm	15-16	22-23
10mm	31-32	44-45
12mm	54-55	78-79
14mm	87-88	125-126



Parts List

- x1 Rear Bumper
- x1 Driver/Left Mounting Bracket
- x1 Passenger/Right Mounting Bracket
- x1 Driver/Left Support Bracket
- x1 Passenger/Right Support Bracket
- x4 Sensor Plugs
- x1 License Plate Light
- x2 License Plate Plugs
- x2 Large Spacers
- x2 Small Spacers
- x12 14mm x 55mm Hex Bolts
- x24 14mm x 28mm x 2.5mm Flat Washers
- x12 14mm Lock Washers
- x12 14mm Hex Nuts
- x2 12mm Bolt Plates
- x2 12mm x 35mm Hex Bolts
- x4 12mm Plastic Retainers
- x4 12mm x 37mm x 3mm Flat Washers
- x4 12mm Lock Washers
- x4 12mm Hex Nuts
- x8 4mm x 10mm Button Head Bolts
- x10 Wire Ties
- x1 2.5mm Hex Wrench



TYGER[®]

NOTE: REMOVE CONTENTS FROM BOX. VERIFY ALL PARTS ARE PRESENT. READ INSTRUCTIONS CAREFULLY BEFORE STARTING INSTALLATION. BUMPER IS HEAVY, ASSISTANCE IS RECOMMENDED TO AVOID POSSIBLE INJURY OR DAMAGE TO THE VEHICLE.

STEP 1

Begin at the rear of the vehicle. Remove the license plate from the bumper. Unplug the wiring harness leading to the rear bumper (Fig 1). Move all wiring harnesses away from the bumper.



(Fig 1) Unplug and remove 7-wire trailer plug, unplug license plate lights and sensors if equipped

STEP 2

Determine if vehicle is equipped with a factory receiver hitch

• Models with Factory Receiver Hitch

a. Use a flat blade screwdriver to pry the plastic cover from the top of the rear bumper on the passenger and driver side edge (Fig 2).

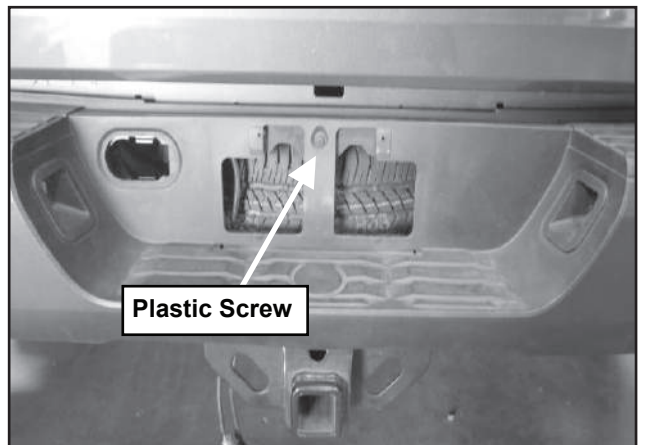
b. Remove the plastic screw under the license plate (Fig 3). Release the clips and factory hardware under the passenger and driver side of the bumper and proceed to remove the center plastic cover on the top of the bumper (Figs 4-5).

c. Place blocks or jack stands under the bumper to support it during mounting bolt removal. Once the bumper has been safely supported, remove the factory hardware attaching the bumper to the top and bottom of the receiver hitch and remove the bumper. **NOTE:** Leave hitch attached.

WARNING! Do not remove bumper bolts unless the bumper is properly supported on blocks or stands or the bumper may fall.

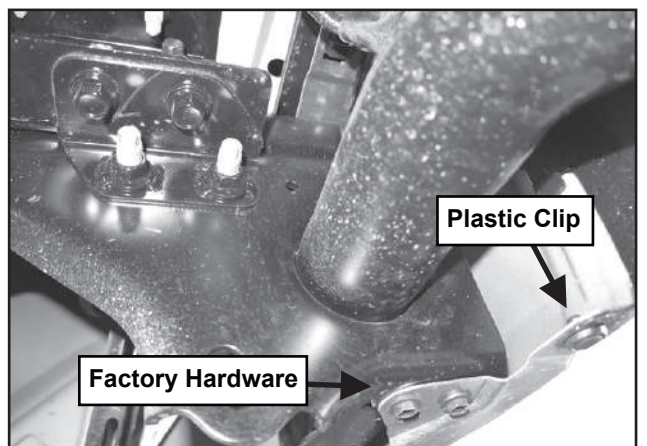


(Fig 2) Use a flat blade screwdriver to pry the plastic cover from the top of edges of the bumper



Plastic Screw

(Fig 3) Remove plastic screw under the license plate.



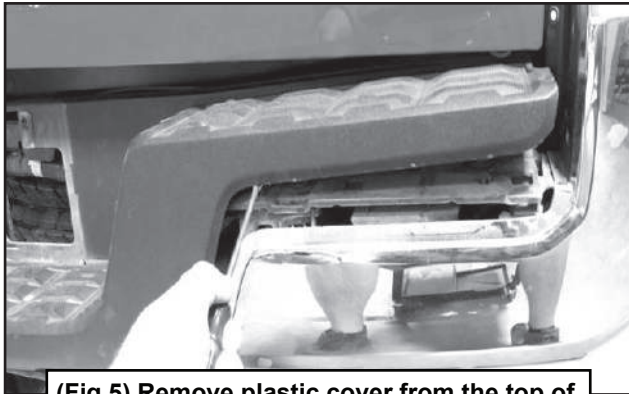
Plastic Clip

Factory Hardware

(Fig 4) Remove Factory Hardware and Plastic Clip from the underside of the bumper



TYGER[®]

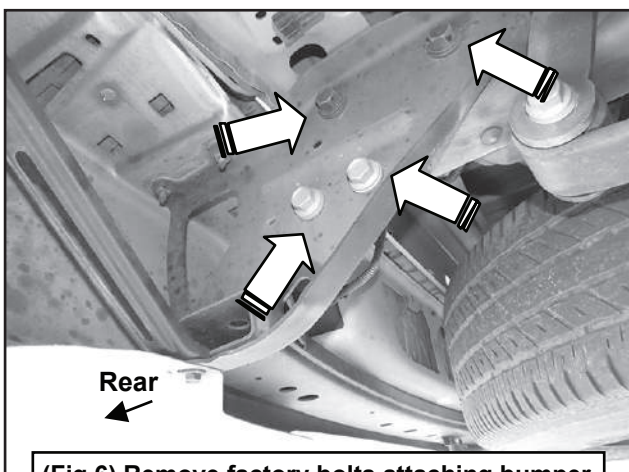


(Fig 5) Remove plastic cover from the top of the bumper

d. Select the Passenger/Right Mounting Bracket. Attach the bracket to the receiver hitch with (1) factory bolt, (1) Large Spacer, (1) Small Spacer, (3) 14mm Hex Bolts, (5) 14mm Flat Washers, (3) 14mm Lock Washers and (2) 14mm Hex Nuts, (Fig 9). Do not tighten hardware at this time. Repeat this Step to attach the Driver/Left Mounting Bracket to the frame.

• Models without Factory Receiver Hitch

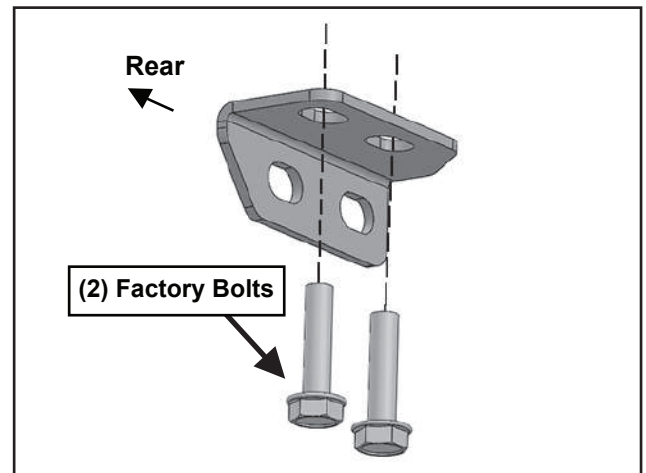
a. Place blocks or jack stands under the bumper to support it during factory bolt removal. Once the bumper has been safely supported, remove the factory hardware attaching the bumper brackets to the sides of the frame, (Fig 6). Remove Bumper with brackets from the frame.



(Fig 6) Remove factory bolts attaching bumper assembly to frame

b. Skip to next if there are factory support brackets. Select the Passenger/Right Support Bracket. Attach the bracket to the bottom of the frame with (2) factory bolts, (Figs 7-8).

Note: The support brackets that come with the kit install in the same place factory support brackets would be installed.



(Fig 7) Attach Passenger/Right Support Bracket to frame (Required on models without receiver hitch)

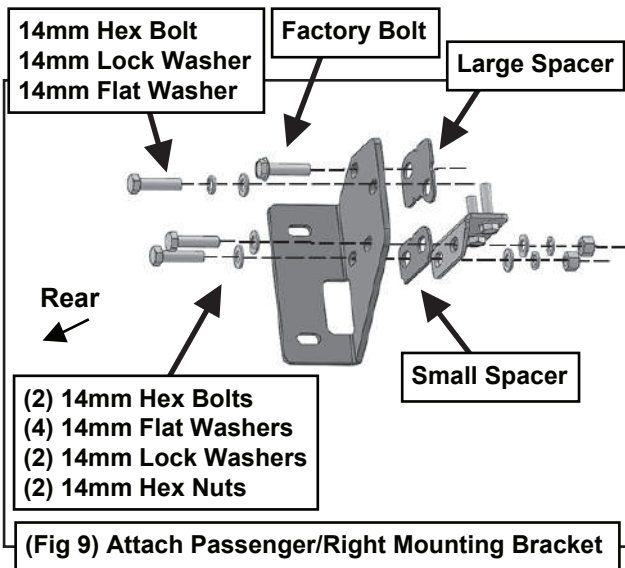


(Fig 8) Passenger/Right Frame Mounting Location with the Support Bracket attached (Models without hitch)

c. Next, select the Passenger/Right Mounting Bracket. Attach the bracket to the outside of the frame with (1) factory bolt, (1) Large Spacer, (1) Small Spacer, (3) 14mm Hex Bolts, (5) 14mm Flat Washers, (3) 14mm Lock Washers and (2) 14mm Hex Nuts, (Fig 9). Do not tighten hardware at this time.



TYGER[®]



d. Repeat Steps 2a-2c to attach the Driver/Right Support and Mounting Bracket to the frame.

STEP 3

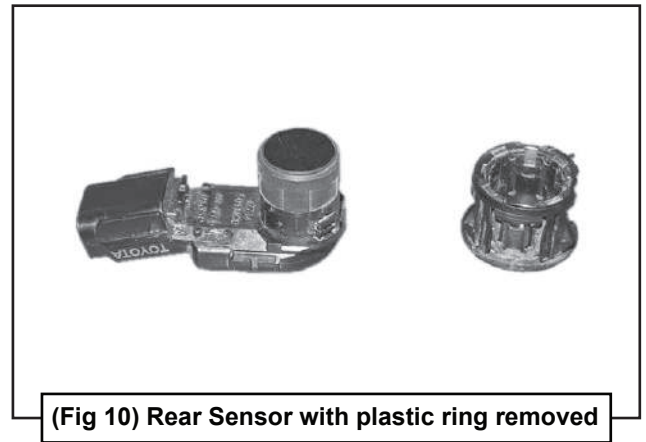
Release the wiring harness from the clips attached to the back of the bumper. Remove license plate lights and sensors. Mark each sensor and light with the correct location.

STEP 4

Locate the (4) sensor mounting sleeves on the backside of the bumper.

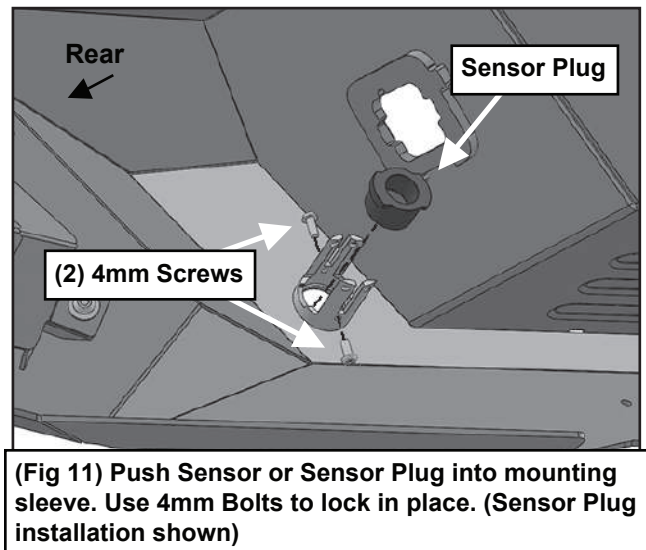
• Models with sensors

- Select (1) factory sensor.
- Remove the plastic ring around the sensor, (Fig 10).
- Insert the sensors into the sleeve on the back of the Bumper.
- Secure Sensor with (2) 4mm Button Head Bolts.
- Repeat previous Steps for the remaining Sensor Plugs.



• Models without sensors

- Insert (4) Sensor Plugs into the sensor sleeves on the back of the Bumper.
- Secure with (8) 4mm Button Head Bolts, (Fig 11).



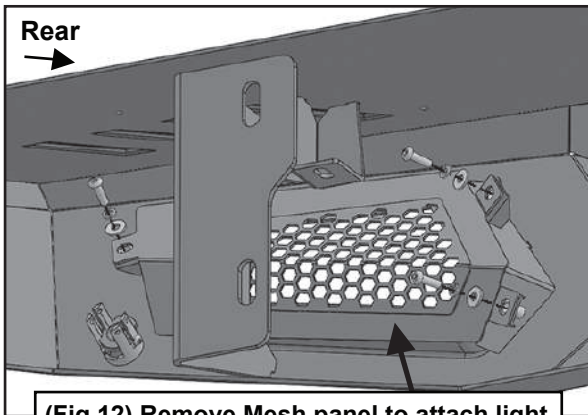
STEP 5

Determine if Lights will be installed (light not included).

- Remove the mesh panel from the Light Location.
- Attach Light to the mounting plate on the inside of the Bumper, (Fig 12).



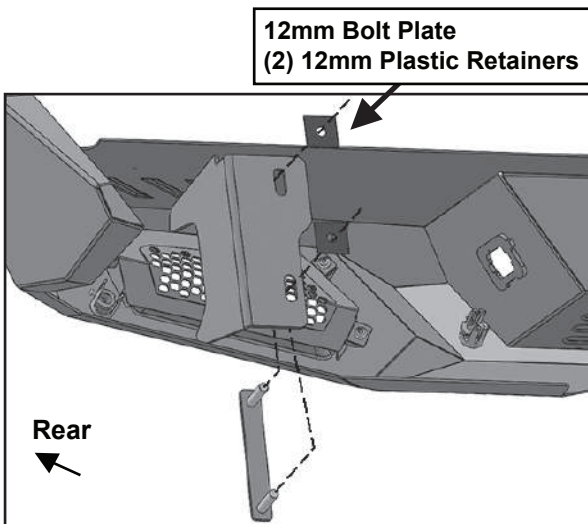
TYGER[®]



(Fig 12) Remove Mesh panel to attach light (light not included)

STEP 6

Select (1) 12mm Bolt Plate. Insert the Bolt Plate into the Passenger/Right side of the Bumper. Thread (2) 12mm Plastic Retainers onto the threads to hold the Bolt Plate in place, (Fig 13). Repeat this Step for the Driver/Left side of the Bumper.



(Fig 13) Insert 12mm Bolt Plate into the Bumper

STEP 7

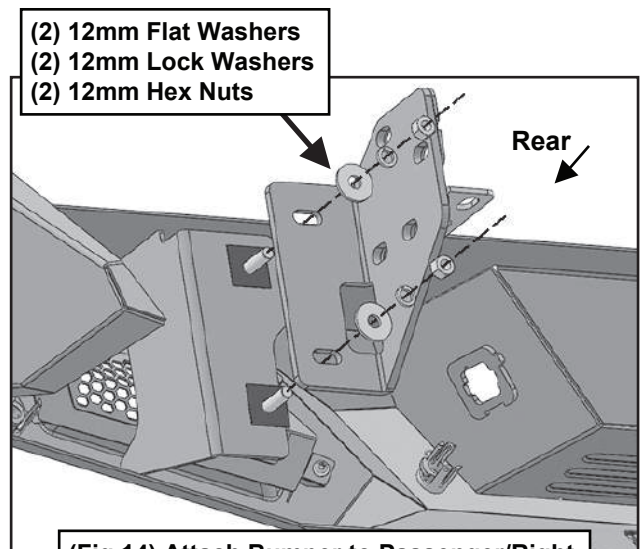
With assistance, position the Bumper up to the Mounting Brackets. Temporarily support the weight of the Bumper.

WARNING: To avoid possible injury or damage to the vehicle, do not proceed until the bumper is fully and safely supported.

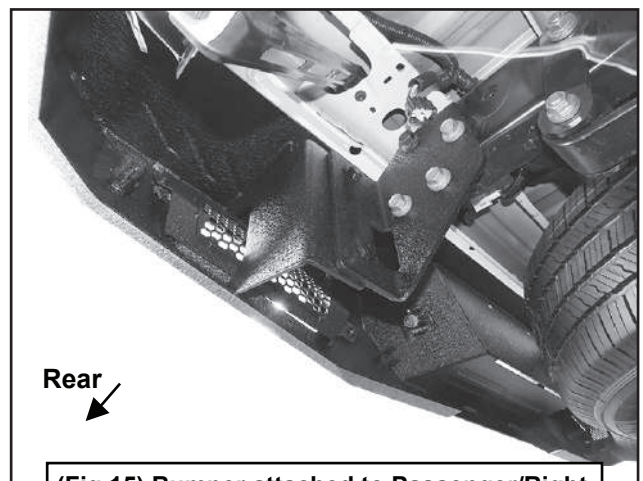
STEP 8

Attach the Bumper to the Mounting Brackets with (4) 12mm Flat Washers, (4) 12mm Lock Washers and (4) 12mm Hex Nuts, (Figs 14-15). Do not fully tighten hardware.

WARNING! Do not crawl under bumper unless the bumper is properly supported on blocks or stands or the bumper may fall.



(Fig 14) Attach Bumper to Passenger/Right Mounting Bracket



(Fig 15) Bumper attached to Passenger/Right Mounting Bracket



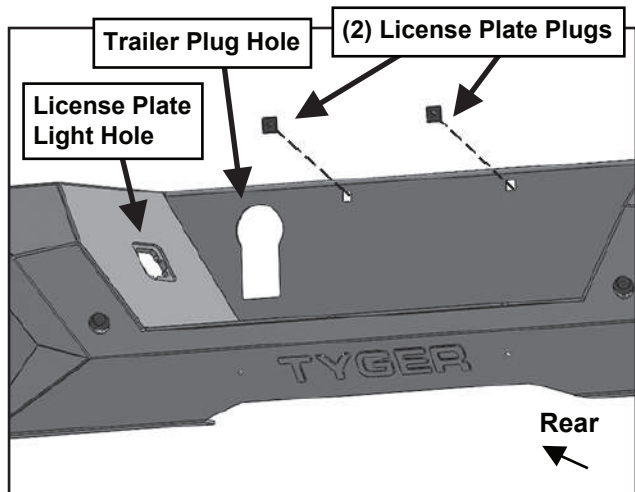
TYGER®

STEP 9

Level and adjust the Bumper and fully tighten all hardware

STEP 10

Reinstall the trailer plug, (Fig 16). **NOTE:** Use a flat blade screwdriver to carefully pry the metal clip on the plug out to grab the edge of the opening.



(Fig 16) Push plastic plugs into holes for license plate

STEP 11

Insert (2) License Plate Plugs into the holes in the bumper. Insert the License Plate Lights into the square holes in the license plate area of bumper, (Fig 16).

STEP 12

Reattach the wiring harnesses.

STEP 13

Do periodic inspections to the installation to make sure that all hardware is secure and tight.