



## REAR BUMPER

TG-BP9T80198

### BEFORE INSTALLATION

READ INSTRUCTIONS CAREFULLY BEFORE STARTING INSTALLATION. REMOVE CONTENTS FROM BOX AND VERIFY ALL PARTS ARE PRESENT. FAILURE TO IDENTIFY DAMAGE BEFORE INSTALLATION COULD LEAD TO A REJECTION OF ANY CLAIM. IF MISSING PARTS OR ANY DAMAGE FOUND, PLEASE TAKE A PICTURE FOR THE CLAIM PURPOSE.

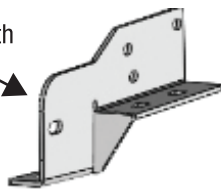
### TORQUE VALUES

Fastener Size	Class 8.8 Torque (ft-lbs)	Class 10.9 Torque (ft-lbs)
6mm	6-7	6-7
8mm	15-16	22-23
10mm	31-32	44-45
12mm	54-55	78-79
14mm	87-88	125-126

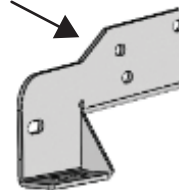
### Parts List

- x1 TYGER Rear Bumper Assembly
- x1 Driver/Left Mounting Bracket
- x1 Passenger/Right Mounting Bracket
- x2 Plastic Plugs for license plate mount
- x4 Sensor Hole Plugs
- x1 Sensor Cover Kit
- x4 12 - 1.25mm x 45mm Hex Bolts
- x4 12mm Lock Washers
- x6 12 - 1.75mm x 40mm Hex Bolts
- x12 12mm x 32mm x 3mm Large Flat Washers
- x4 12mm x 24mm x 2.5mm STD Flat Washers
- x6 12mm Nylon Lock Nuts
- x8 4 - 0.75mm x 10mm Button Head Bolts
- x10 Nylon Wire Ties
- x1 2.5mm Wrench
- x1 4mm Wrench

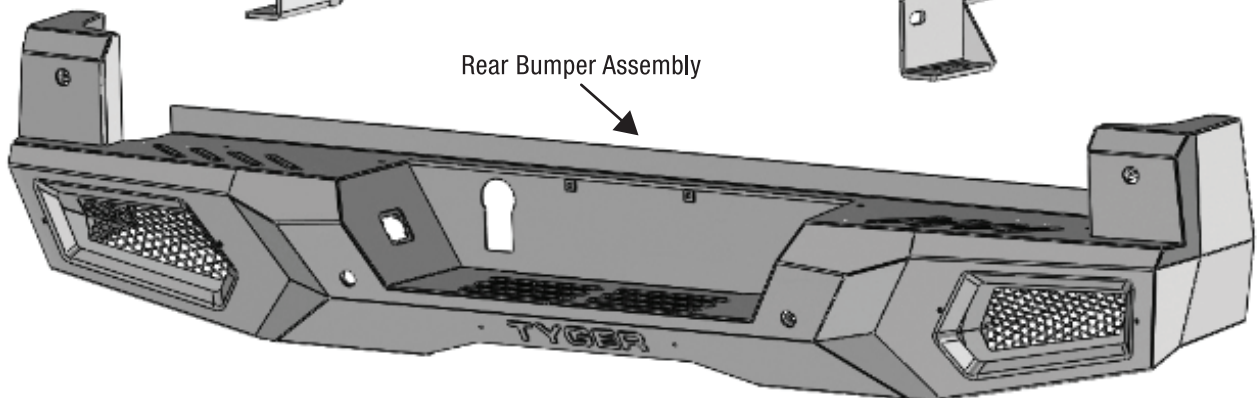
Driver/Left Frame Bracket (not used with receiver hitch)



Passenger/Right Frame Bracket (not used with receiver hitch)



Rear Bumper Assembly



(4) Sensor Plugs →



## PROCEDURE:

REMOVE CONTENTS FROM BOX. VERIFY ALL PARTS ARE PRESENT. READ INSTRUCTIONS CAREFULLY BEFORE STARTING INSTALLATION. BUMPER IS DESIGNED TO INSTALL WITH FACTORY RECEIVER HITCH, AFTERMARKET RECEIVER HITCH MAY INTERFERE WITH INSTALLATION. BUMPER IS HEAVY, ASSISTANCE IS RECOMMENDED TO AVOID POSSIBLE INJURY OR DAMAGE TO THE VEHICLE.

## STEP 1

Locate BSM (Blind Spot Monitor) button underneath the radio display to turn off and RCTA (Rear Cross Traffic Alert) Systems, (if equipped). Next, unplug the wire harnesses from the (2) monitor sensors located on the rear ends of the Rear Bumper.

**NOTE:** The BSM and RCTA systems will not work with Bumper installation, monitor sensors cannot be reinstalled.

## STEP 2

Unplug the wiring harness leading to the bumper, (Figure 1). Move all wiring harnesses away from bumper.

Driver/Left Side Installation Pictured



(Fig 1) Unplug and remove 7-wire trailer plug, unplug license plate lights and sensors if equipped

## STEP 3

Determine if vehicle is equipped with factory receiver hitch

### Models without receiver hitch:

a. Place blocks or jack stands under the bumper to support it during mounting bolt removal. Once the bumper has been safely supported, remove the factory hex bolts, (5 per side), attaching the bumper brackets to the sides and bottom of the frame and slide the bumper assembly off of the vehicle.

### Models with factory receiver hitch:

a. Remove the plastic cover from the top of the bumper, (Figure 2).

**NOTE:** Cover is attached at top, back and bottom by several plastic clips. Remove these pins to release plastic cover.

**WARNING!** Do not remove bumper bolts unless the bumper is properly supported on blocks or stands or the bumper may fall.

Driver/Left Side Installation Pictured



(Fig 2) Models with receiver hitch, remove plastic cover from top of bumper

b. Place blocks or jack stands under the bumper to support it during mounting bolt removal. Once the bumper has been safely supported, remove the factory hardware attaching the bumper to the top and bottom of the receiver hitch and remove the bumper, (Figures 3 & 4).

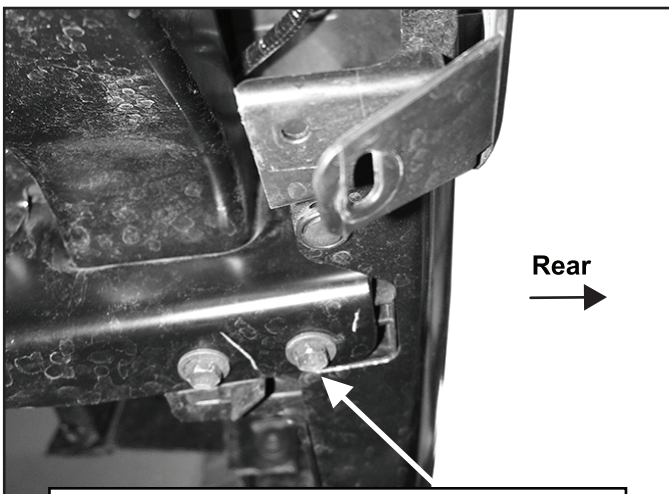
**NOTE:** Leave hitch attached to vehicle.



## Driver/Left Side Installation Pictured



(Fig 3) Models with receiver hitch, remove the hex bolts attaching bumper to top of hitch



(Fig 4) Models with receiver hitch, remove the hex bolts attaching bumper to bottom of hitch

## STEP 4

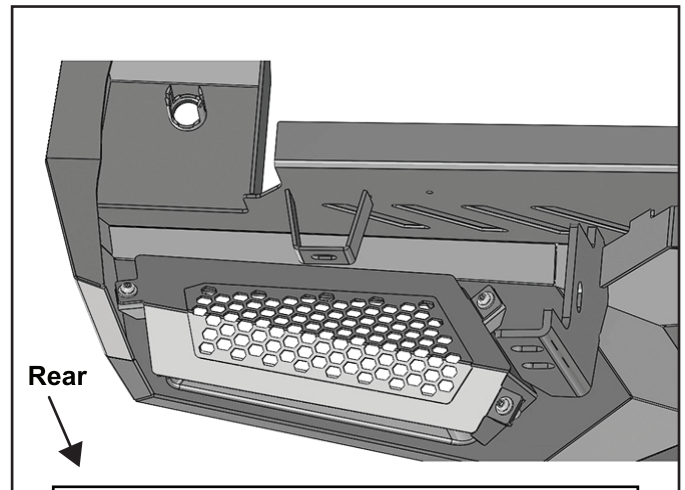
Remove the sensors, (if equipped), from bumper. Release the clips securing the trailer plug and remove the plug.

## STEP 5

Optional LED light installation (LED light not included).

a. Insert light into opening and up to mounting slot. Check for clearance between front and back of light. If necessary, remove the screens from the back of the openings, (Figure 5).

## Driver/Left Side Installation Pictured



(Fig 5) Remove screens if necessary for additional clearance around or access to lights

- b. Follow the light manufacturer's instructions to attach each light to slot in the opening.
- c. Repeat the above steps for remaining light installation.
- d. Follow light manufacturer's instructions for adjustment and to properly wire the light to the vehicle electrical system after Bumper installation.

**IMPORTANT:** Light installation may be easier to remove before Bumper is installed.

**WARNING!** Do not remove bumper bolts unless the bumper is properly supported on blocks or stands or the bumper may fall.



## STEP 6

Depending on tow package, it may be necessary or easier to install sensors at this time, (if equipped), before installing the Bumper.

### Models without bumper sensors:

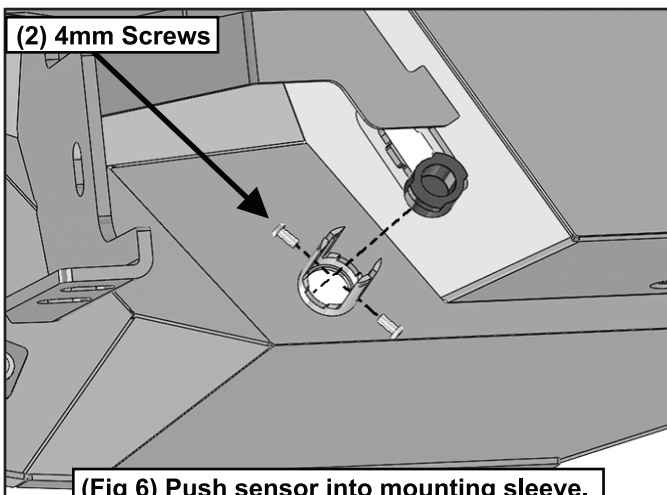
- Select the included (4) Rubber Plugs.
- From behind bumper, push plugs into sensor mounting holes, (Figure 6).

### Models with bumper mounted back up sensors:

- Push the sensor into the mounting socket in the back of the bumper.
- Secure each sensor to the socket with (2) 4mm x 10mm Button Head Screws, (Figure 6).

**IMPORTANT:** Sensors fit snug in sockets. The 4mm Screws are used to apply slight pressure to lock the sensors in place. Tighten both screws evenly until they touch the sensor body only. Do not overtighten screws or damage to sensors will result.

Driver/Left Side Installation Pictured



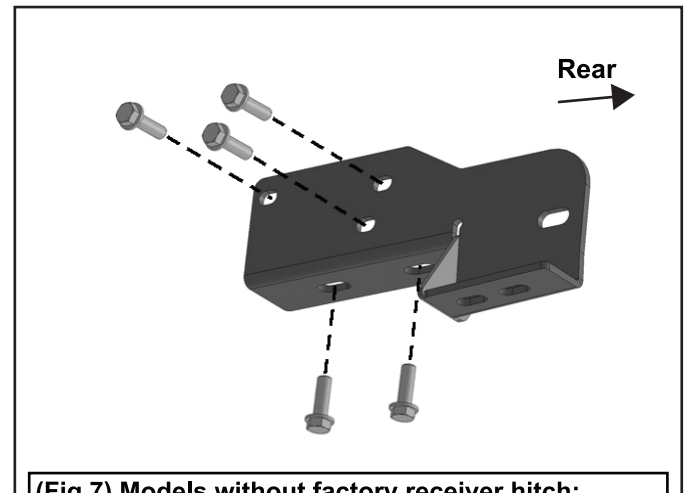
(Fig 6) Push sensor into mounting sleeve. Use 4mm Screws to lock sensor in place.

## STEP 7

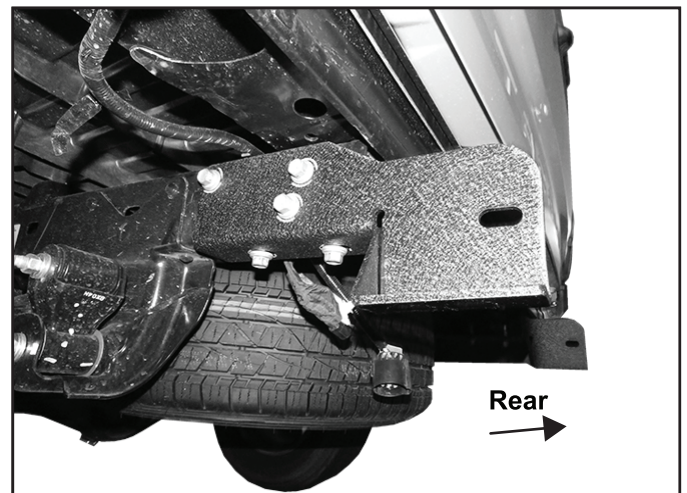
7. Models without factory receiver hitch only, (models with hitch, skip to Step 8):

- Select the Driver/Left Mounting Bracket. Reuse the factory bumper bracket hex bolts to attach the Driver/Left Mounting Bracket to the sides and bottom of the frame, (Figures 7 & 8). Snug but do not fully tighten hardware at this time.
- Repeat the **STEP 7a.** to install the Passenger/Right Mounting Bracket.

Driver/Left Side Installation Pictured



(Fig 7) Models without factory receiver hitch: Reuse factory hex bolts to attach Bumper Bracket to side and bottom of frame (Driver/Left illustrated)



(Fig 8) Driver/Left Bumper Bracket installed



## STEP 8

With assistance, hold the TG1 Bumper up to the Brackets or receiver hitch. Temporarily support the weight of the Bumper.

**WARNING:** To avoid possible injury or damage to the vehicle, do not proceed until the bumper is fully and safely supported.

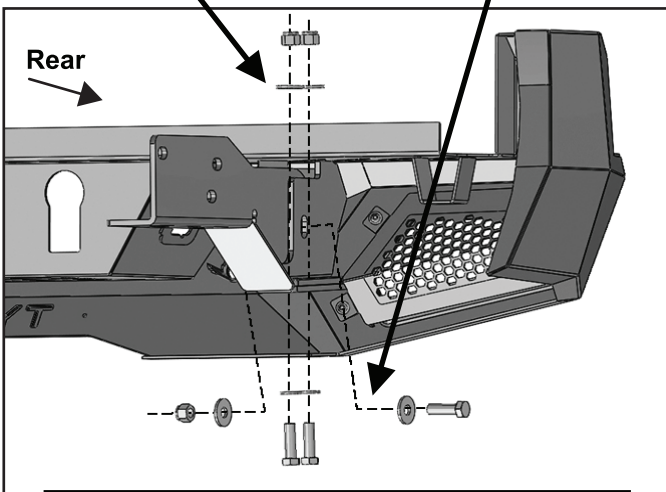
## STEP 9

Attach the Bumper to the bottom of the Driver/Left Bracket or to the hitch with the included (2) 12mm x 40mm Hex bolts, (2) 12mm x 32mm Large Flat Washers, (bottom), (2) 12mm x 24mm Small Flat Washers, (top), and (2) 12mm Nylon Lock Nuts, (Figures 9—13). Snug but do not fully tighten hardware at this time. Repeat this Step to attach the Bumper to the Passenger/Right Mounting Bracket.

### Driver/Left Side Installation Pictured

- (2) 12mm Hex Bolts
- (2) 12mm x 24mm STD Flat Washers (top)
- (2) 12mm x 32mm Large Flat Washers (bottom)
- (2) 12mm Nylon Lock Nuts

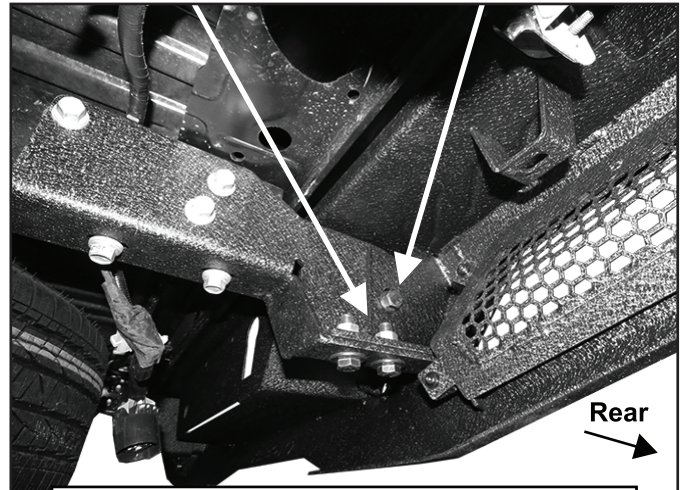
- 12mm Hex Bolt
- (2) 12mm x 32mm Large Flat Washers
- 12mm Nylon Lock Nut



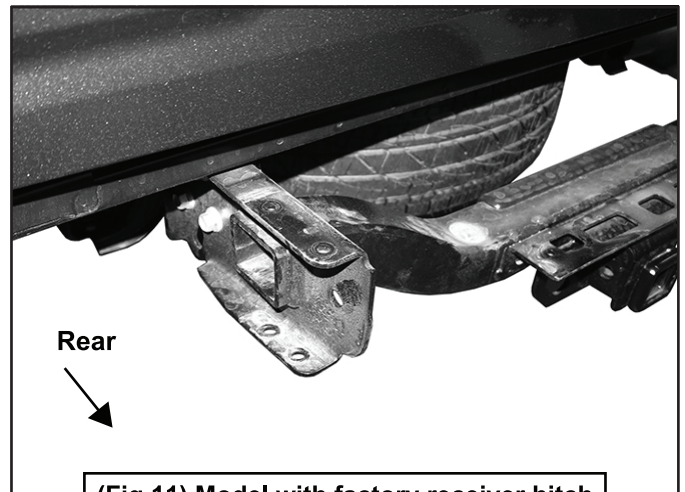
(Fig 9) Models without factory receiver hitch: Attach Bumper to side and bottom of Frame Bracket (Driver/Left illustrated)

- (2) 12mm Hex Bolts
- (2) 12mm x 24mm STD Flat Washers (top)
- (2) 12mm x 32mm Large Flat Washers (bottom)
- (2) 12mm Nylon Lock Nuts

- 12mm Hex Bolt
- (2) 12mm x 32mm Large Flat Washers
- 12mm Nylon Lock Nut



(Fig 10) Models without factory receiver hitch: Attach Bumper to side and bottom of Frame Bracket (Driver/Left installed)

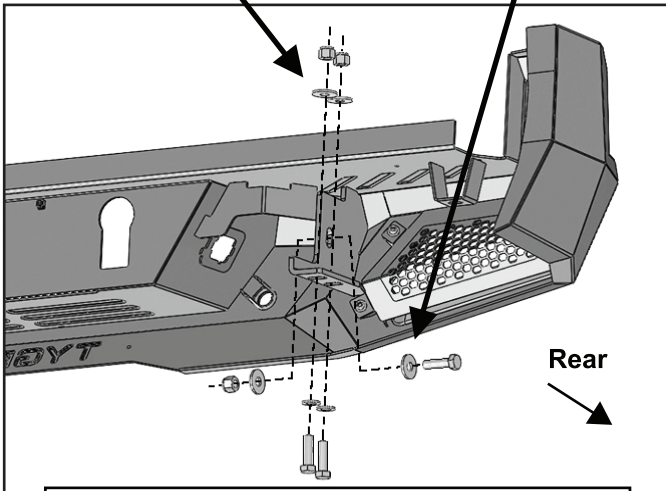


(Fig 11) Model with factory receiver hitch



- (2) 12mm Hex Bolts
- (2) 12mm x 24mm STD Flat Washers (top)
- (2) 12mm x 32mm Large Flat Washers (bottom)
- (2) 12mm Nylon Lock Nuts

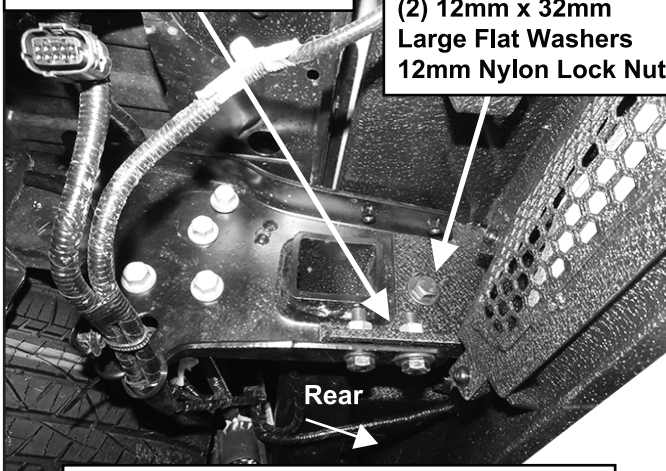
- 12mm Hex Bolt
- (2) 12mm x 32mm Large Flat Washers
- 12mm Nylon Lock Nut



(Fig 12) Models without factory receiver hitch: Attach Bumper to side and bottom of hitch (Driver/Left illustrated)

- (2) 12mm Hex Bolts
- (2) 12mm x 24mm STD Flat Washers (top)
- (2) 12mm x 32mm Large Flat Washers (bottom)
- (2) 12mm Nylon Lock Nuts

- 12mm Hex Bolt
- (2) 12mm x 32mm Large Flat Washers
- 12mm Nylon Lock Nut



(Fig 13) Models with factory receiver hitch: Attach Bumper to side and bottom of hitch (Driver/Left installation pictured)

## STEP 10

Next, attach the bumper in the upper Driver/Left Mounting Bracket slot or upper hitch slot with the included (1) 12mm x 40mm Hex bolts, (2) 12mm x 32mm Large Flat Washers and (1) 12mm Nylon Lock Nuts, (Figures 9—13). Repeat this Step for the Passenger/Right Mounting Bracket.

## STEP 11

Slowly open tailgate and check for clearance. Level and adjust the bumper and fully tighten all hardware.

## STEP 12

Attach the wiring harness to the sensors and trailer plug. Use the included Wire Ties to secure the wiring harness to the bumper and frame as necessary.

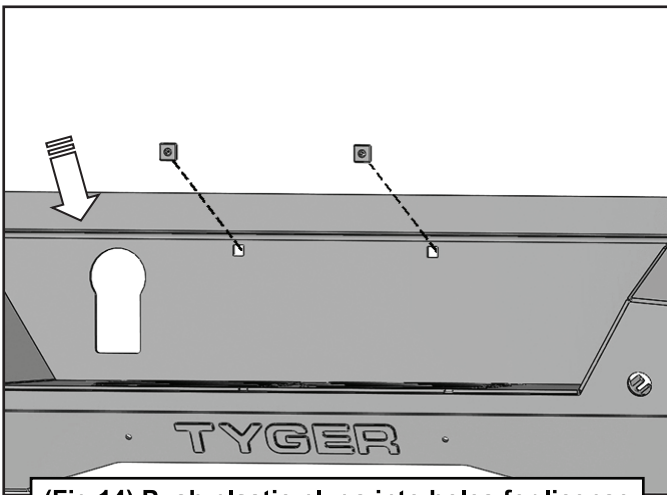


# TYGER<sup>®</sup>

## STEP 13

Use the included (2) push-in plugs to attach the license plate to the Bumper, (Figure 14). Insert the factory license plate lights into the holes in the step area. Connect the harness to the license plate lights

### Driver/Left Side Installation Pictured



(Fig 14) Push plastic plugs into holes for license plate. Install trailer plug and License Plate Light

## STEP 14

Do periodic inspections to the installation to make sure that all hardware is secure and tight.