



TYGER®

REAR BUMPER

TG-BP9F80298

BEFORE INSTALLATION

READ INSTRUCTIONS CAREFULLY BEFORE STARTING INSTALLATION. REMOVE CONTENTS FROM BOX AND VERIFY ALL PARTS ARE PRESENT. FAILURE TO IDENTIFY DAMAGE BEFORE INSTALLATION COULD LEAD TO A REJECTION OF ANY CLAIM. IF MISSING PARTS OR ANY DAMAGE FOUND, PLEASE TAKE A PICTURE FOR THE CLAIM PURPOSE.

TORQUE VALUES

Fastener Size	Class 8.8 Torque (ft-lbs)	Class 10.9 Torque (ft-lbs)
6mm	6-7	6-7
8mm	15-16	22-23
10mm	31-32	44-45
12mm	54-55	78-79
14mm	87-88	125-126

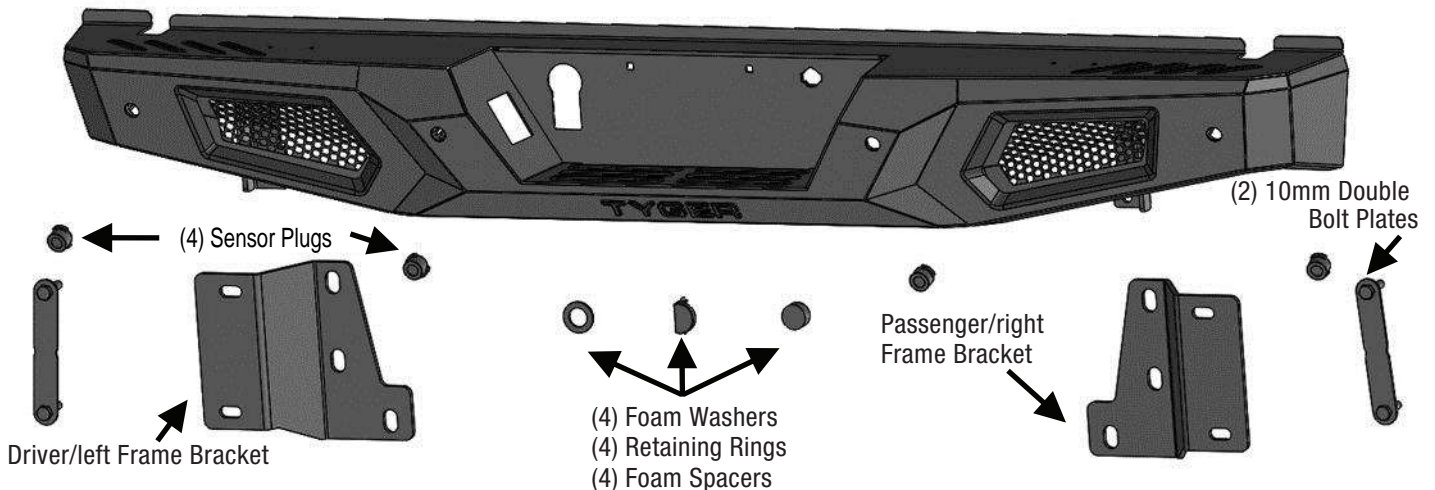
Parts List

- x1 Rear Bumper
- x1 Driver/left side Mounting Bracket
- x1 Passenger/right side Mounting Bracket
- x4 Sensor Foam Washers (15.5mm x 25mm x 2mm)
- x4 Sensor Foam Spacers (20mm x 10mm)
- x4 Sensor Semi-Retaining Clips
- x4 Sensor Rubber Plugs
- x1 Sensor Cover Kit
- x10 Nylon Wire Ties
- x2 Plastic Plugs for License Plate
- x2 10mm x 40mm Double Bolt Plates
- x4 10mm Plastic Retainers
- x4 10mm x 30mm x 2.5mm Flat Washers
- x4 10mm Nylon Lock Nuts
- x8 4mm x 10mm Button Head Bolts
- x1 2.5mm Wrench

(2) Plastic Plugs for License Plate



(2) 10mm Double Bolt Plates





TYGER[®]

PROCEDURE: REMOVE CONTENTS FROM BOX. VERIFY ALL PARTS ARE PRESENT. READ INSTRUCTIONS CAREFULLY BEFORE STARTING INSTALLATION. BUMPER IS HEAVY, ASSISTANCE IS RECOMMENDED TO AVOID POSSIBLE INJURY OR DAMAGE TO THE VEHICLE. IMPORTANT: OEM BUMPER REINFORCEMENT USED WITH "STANDARD" TOW PACKAGE WITHOUT RECEIVER HITCH CANNOT BE REINSTALLED. OE INTEGRATED "HD" HITCH, "MAX DUTY" HITCH AND MOST AFTERMARKET RECEIVER HITCHES REQUIRED FOR TOWING.

STEP 1

Remove the license plate from the bumper, (Figure 1). Next, unplug the license plate lights, trailer plug and main wire harness. NOTE: Bumper is designed to be compatible with larger 7-wire universal trailer harness plug only.

STEP 2

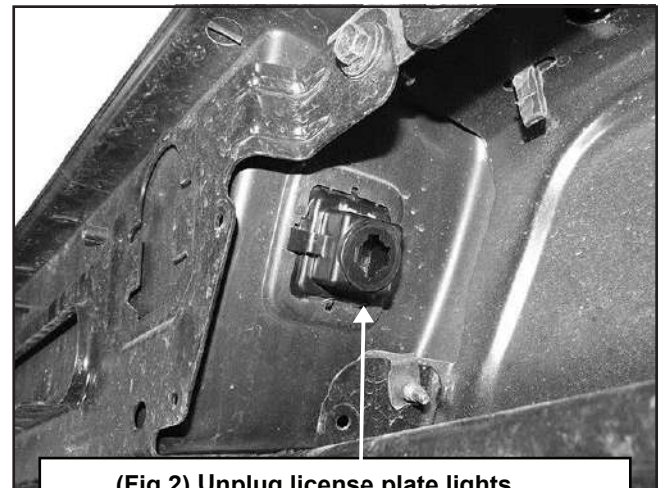
Place blocks or jack stands under the bumper to support it during mounting bolt removal. Once the bumper has been safely supported, remove the factory hardware attaching the bumper to the end of the frame and remove the bumper assembly, (Figures 3A, 3B & 4). WARNING! Assistance is required to hold the bumper in place during hardware removal to prevent bumper from falling.

STEP 3

Unplug and remove sensors, (if equipped), from bumper. Next, remove the license plate lights, spare tire access lock, (if equipped) and trailer plug, (Figure 2). Release the wiring harness from the clips attached to the back of the bumper. Move wire harness away from bumper.

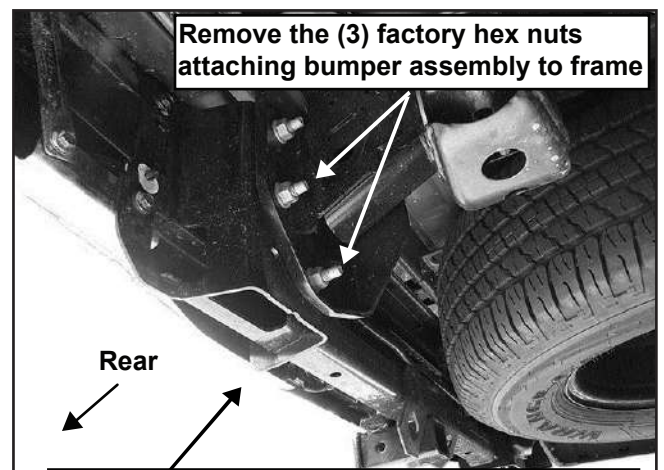


(Fig 1) Unplug and remove 7-wire trailer plug



(Fig 2) Unplug license plate lights

WARNING! Do not crawl under bumper unless the bumper is properly supported on blocks or stands or the bumper may fall.



(Fig 3A) Note bumper with integrated receiver hitch

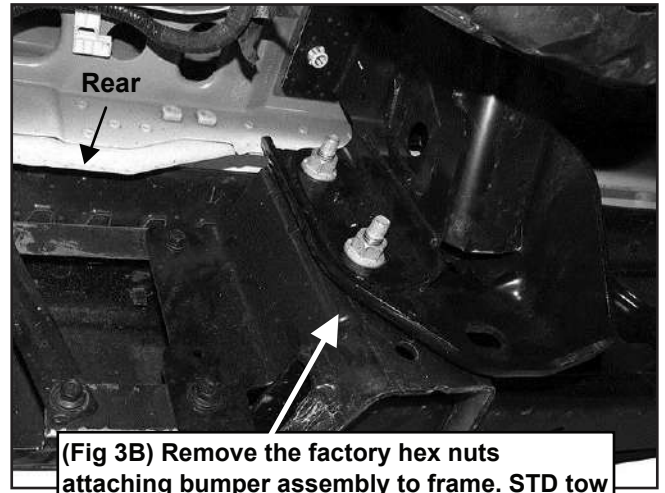


TYGER[®]

STEP 4

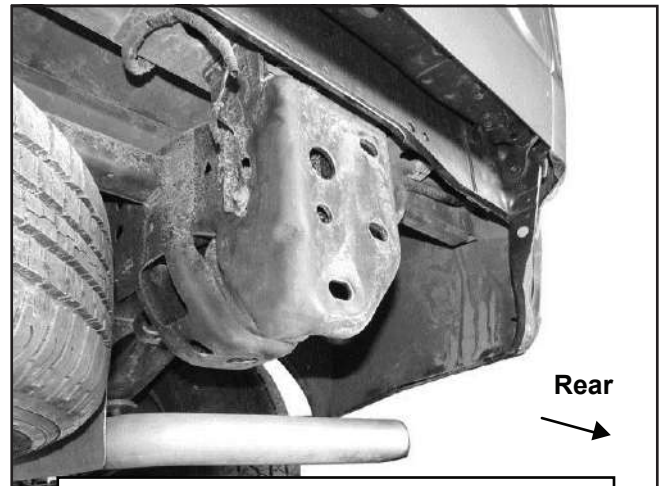
Optional LED light installation at ends of bumper (sold separately).

- Insert light into opening and up to mounting slots. Check for clearance between front and back of light. If necessary, remove the screens from the back of the openings, (Figure 5). **IMPORTANT:** Screens must be removed before Bumper is installed.
- Follow the light manufacturer's instructions to attach each light to slot in the opening.
- Repeat the above steps for remaining light installation.
- Follow light manufacturer's instructions for adjustment and to properly wire the light to the vehicle electrical system after Bumper installation.

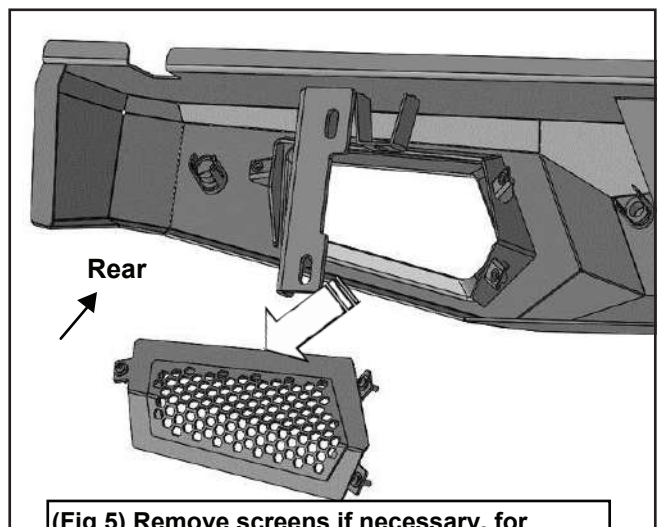


(Fig 3B) Remove the factory hex nuts attaching bumper assembly to frame. STD tow package model pictured (no receiver hitch)

WARNING! Do not remove bumper bolts unless the bumper is properly supported on blocks or stands or the bumper may fall.



(Fig 4) Passenger/right side of frame



(Fig 5) Remove screens if necessary, for additional clearance around or access to lights



TYGER[®]

STEP 5

NOTE:

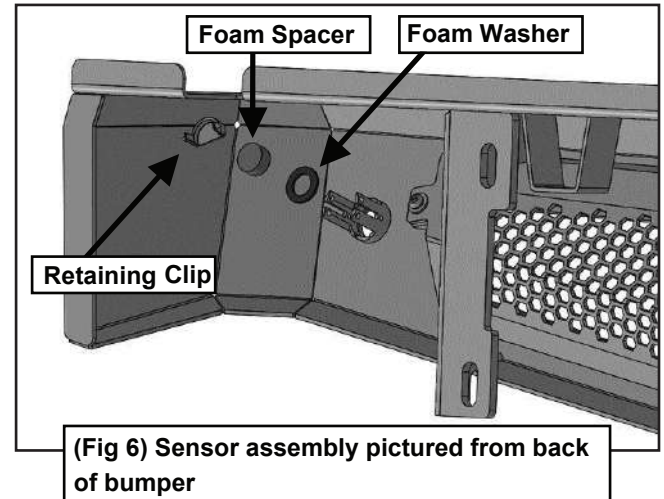
Sensors, (if equipped), must be installed onto the back of the Bumper before attaching the Bumper to the vehicle.

Models without bumper sensors:

- a. Select the included (4) Rubber Plugs.
- b. From behind bumper, push plugs into sensor mounting holes.

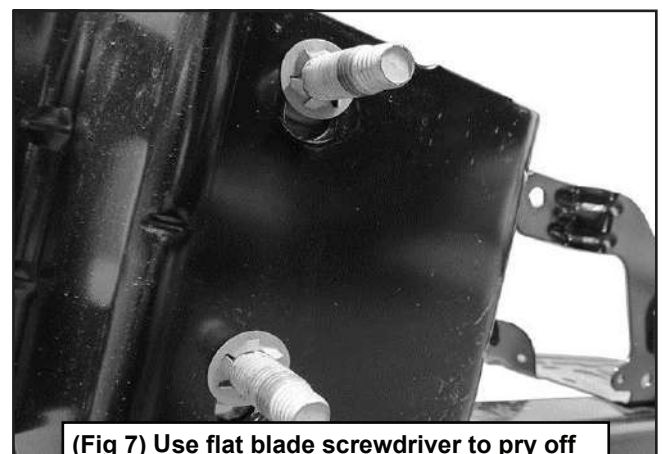
Models with bumper mounted sensors:

- a. Remove the small factory sealing washer from the sensor. Attach the provided larger (1) Foam Washer onto the front of the sensor, (Figure 6).
- b. Slide the sensor into the sensor sleeve opening on the back of the Bumper. Attach (1) Foam Spacer to (1) Retaining Clip. Push and lock the Retaining Clip into the sensor sleeve mounting holes, (Figure 6).
- c. Repeat the previous steps to install each sensor to the back of the Bumper.



STEP 6

Use a small flat blade screwdriver to pry the star washers off of the bolt plates used to attach the factory bumper to the frame, (Figure 7). NOTE: "HD" tow package models use a triple bolt plate, "Standard" and "Max Duty" equipped models use a double bolt plate.





TYGER[®]

STEP 7

Determine towing package supplied with vehicle:

Models with "standard tow package" without HD receiver below bumper and models with "Max Duty" frame mounted receiver hitch below bumper.

a. Select the Passenger/right Mounting Bracket. Insert the factory Double or Triple Bolt Plate through the Bracket and frame. Reuse the factory flange nuts to secure the Bracket to the frame, (Figures 8). Snug but do not fully tighten hardware at this time.

b. Repeat the previous Step to install the driver/left side Bracket.

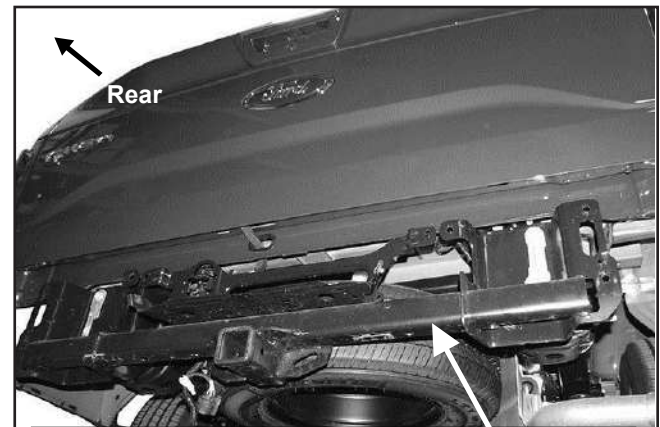
Models with "HD" tow package with integrated receiver hitch into bumper and brackets.

a. Remove integrated receiver hitch and bracket assembly from back of bumper.

b. Use factory hardware to reinstall receiver/bumper bracket assembly to mounts on ends of frame, (Figure 9). Snug but do not fully tighten hardware at this time.

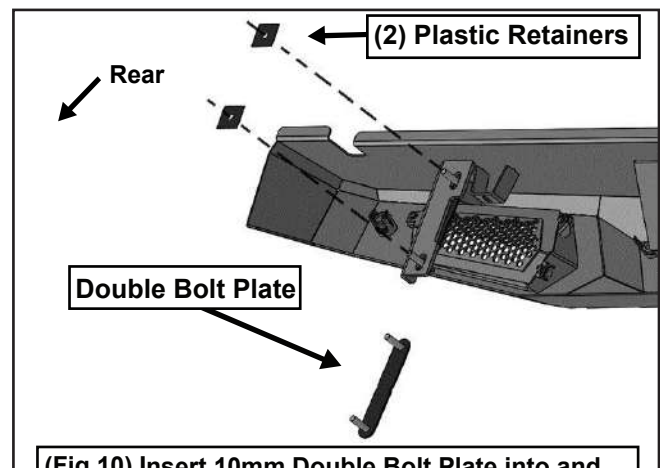


(Fig 8) Passenger/right side Mounting Bracket installed with triple bolt plate



(Fig 9) Reinstall integrated receiver hitch/bracket assembly on models with "HD Towing" package

WARNING! Do not crawl under bumper unless the bumper is properly supported on blocks or stands or the bumper may fall.



(Fig 10) Insert 10mm Double Bolt Plate into and through back of mounting tab on back of Bumper

STEP 8

Select (1) 10mm Double Bolt Plate. Slide the Bolt Plate through the back of the mounting tab on the Rear Bumper, (Figure 10). Thread (2) Plastic Retainers onto the Bolt Plate to secure in place.

NOTE: The Plastic Retainers are used to hold the Bolt Plate in place and aid in Bumper installation.

STEP 9

Repeat previous step to install (1) 10mm Double Bolt Plate on the other side of the Bumper.



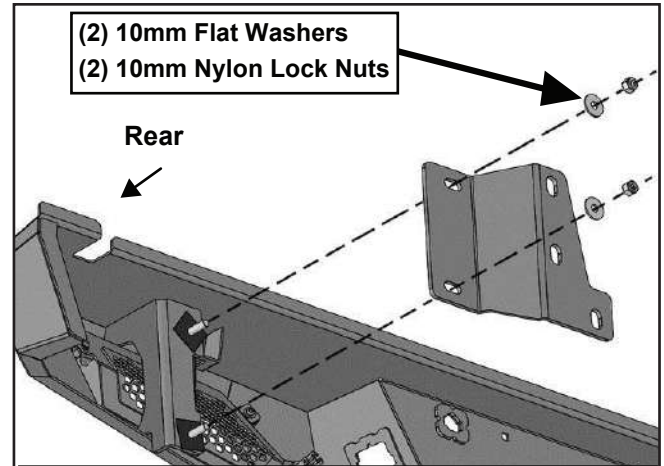
TYGER[®]

STEP 10

With assistance, hold the Bumper assembly up to the ends of the frame. Temporarily support the weight of the Bumper.

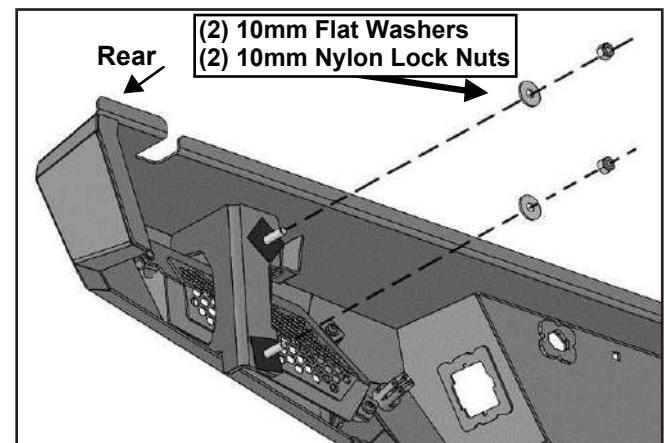
WARNING: To avoid possible injury or damage to the vehicle, do not proceed until the bumper is fully and safely supported. Use the provided (4) 10mm Flat Washers and (4) 10mm Nylon Lock Nuts to attach the Bumper to the Mounting Brackets, (Figures 11).

NOTE: On models with HD tow package with integrated receiver hitch the Bumper will attach directly to the integrated hitch, (Figure 12). Snug but do not fully tighten hardware at this time.

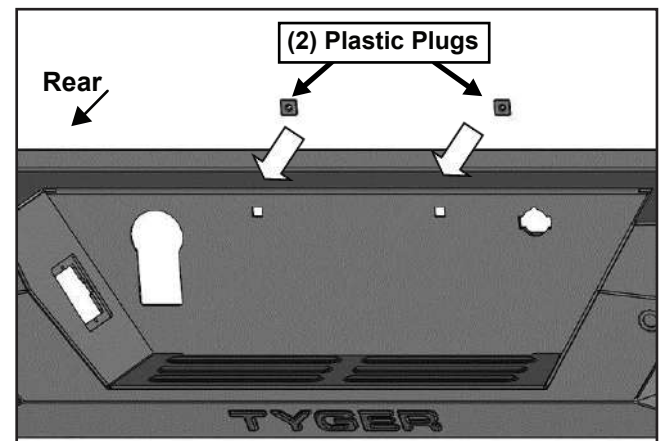


(Fig 11) Passenger/right side of Bumper attached to the Mounting Bracket illustrated

WARNING! Do not crawl under bumper unless the bumper is properly supported on blocks or stands or the bumper may fall.



(Fig 12) Passenger/right side of Bumper attached directly to the integrated hitch illustrated



(Fig 13) Attach trailer plug, spare tire access lock, license lights and plate to the front of the Bumper

STEP 11

Level and adjust the bumper and fully tighten all hardware.

STEP 12

Reinstall the license plate lights, spare tire access lock and trailer plug to the front of the Bumper, (Figure 13).

STEP 13

Attach the wiring harness to the lights and trailer plug. Use the included Wire Ties to secure the wiring harness to the bumper and frame as necessary.

STEP 14

Use the included (2) push-in plugs to attach the license plate to the Bumper, (Figure 13).



TYGER®

STEP 15

Do periodic inspections to the installation to make sure that all hardware is secure and tight.

To protect your investment, wax this product after installing. Regular waxing is recommended to add a protective layer over the finish. Do not use any type of polish or wax that may contain abrasives that could damage the finish. Mild soap may be used to clean the Bumper assembly.

