



# TYGER®

## REAR BUMPER

TG-BP9C80498

### BEFORE INSTALLATION

READ INSTRUCTIONS CAREFULLY BEFORE STARTING INSTALLATION. REMOVE CONTENTS FROM BOX AND VERIFY ALL PARTS ARE PRESENT. FAILURE TO IDENTIFY DAMAGE BEFORE INSTALLATION COULD LEAD TO A REJECTION OF ANY CLAIM. IF MISSING PARTS OR ANY DAMAGE FOUND, PLEASE TAKE A PICTURE FOR THE CLAIM PURPOSE.

### TORQUE VALUES

Fastener Size	Class 8.8 Torque (ft-lbs)	Class 10.9 Torque (ft-lbs)
6mm	6-7	6-7
8mm	15-16	22-23
10mm	31-32	44-45
12mm	54-55	78-79
14mm	87-88	125-126

License Plate Light → ● ● ● ← (2) Plastic Plugs for License Plate



← (4) Sensor Hole Plugs → ● ● ● ●

← (4) 12mm Plastic Retainers

(4) Sensor Clips → ● ● ● ●

← 2007-13 Trailer Plug Bracket

(4) Foam Washers → ● ● ● ●

← 2014-on Trailer Plug Bracket

(4) Sensor Seals → ● ● ● ●

← Driver/left Frame Bracket

Spare Tire Access Guide → ●

Passenger/right Frame Bracket → ●

### PARTS LIST

- x1 Rear Bumper Assembly
- x1 Driver/left Frame Bracket
- x1 Passenger/right Frame Bracket
- x1 License Plate Light
- x2 License Plate Plugs
- x4 Sensor Hole Plugs
- x4 Retaining Clips
- x4 20mm x 2mm Foam Washers
- x4 Sensor Sealing Washers
- x1 Sensor Cover Kit
- x1 Trailer Plug Bracket 07-13
- x1 Trailer Plug Bracket 2014+
- x2 Self-Tapping Screws (2014+ trailer plug)
- x1 Spare Tire Access Guide
- x10 Nylon Wire Ties
- x6 14-2.0mm x 45mm Hex Bolts
- x12 14mm x 28mm OD x 2.5mm Flat Washers
- x6 14mm Nylon Lock Nuts
- x4 12-1.75mm x 40mm Hex Bolts
- x8 12mm x 37mm OD x 3mm Flat Washers
- x4 12mm Lock Washers
- x4 12mm Hex Nuts
- x4 12mm Plastic Retainers
- x2 10-1.5mm x 50mm Hex Bolts
- x4 10mm x 34mm OD x 3mm Flat Washers
- x2 10mm Nylon Lock Nuts
- x4 6-1.0mm x 20mm Button Head Bolts
- x8 6mm x 12mm OD x 1.6mm Flat Washers
- x4 6mm Nylon Lock Nuts
- x1 Wrench (4mm)
- x8 4mm x 10mm Button Head Bolts
- x1 Wrench (2.5mm)



# TYGER<sup>®</sup>

**NOTE:** BUMPER IS HEAVY, ASSISTANCE IS HIGHLY RECOMMENDED TO AVOID POSSIBLE INJURY OR DAMAGE TO THE VEHICLE.

## STEP 1

Remove the license plate. On models with bumper sensors, unplug wiring harness leading to the bumper. Unplug and remove the trailer plug from the bumper.

## STEP 2

Place blocks or jack stands under the bumper to support it during mounting bolt removal.

## STEP 3

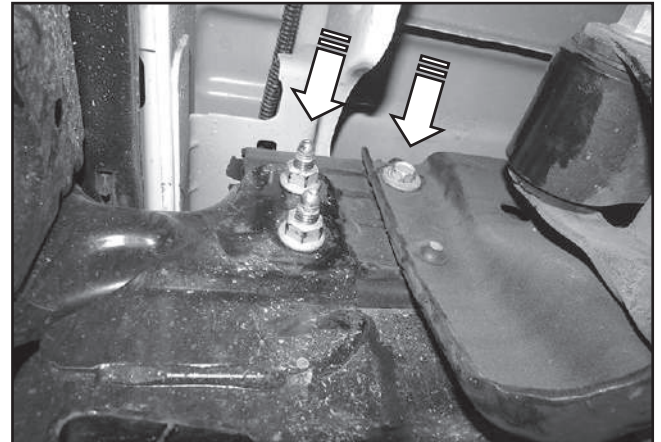
Determine procedure for your model year:

### 07-13 Models:

- Starting on the passenger/right side, remove (2) hex bolts attaching bumper to top/center of receiver hitch if equipped.
- Remove hex bolts from side and bottom of frame, (Figs 1-3).
- Repeat previous Steps to remove driver/left side hardware.
- With assistance, pull bumper and brackets straight out from vehicle, (Figs 6-7).
- Proceed to Step 4

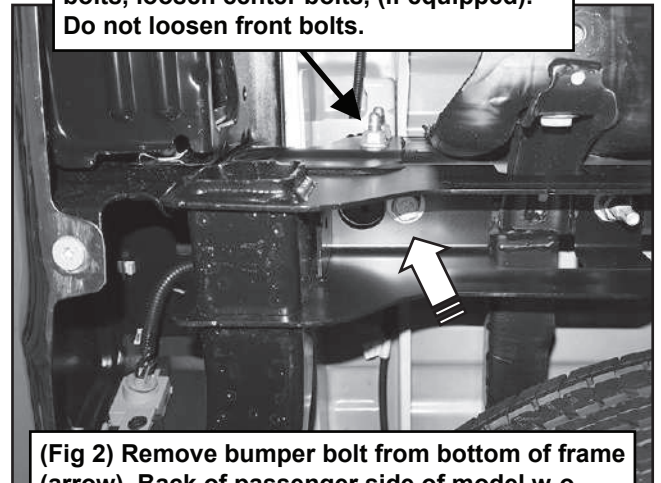
### 14-18 Models:

- Starting on the passenger/right side, remove rear bolts attaching bed to frame, (Fig 2). Loosen center bolts (if equipped). Do not loosen front bed mounting bolts.
- Remove hex bolts from side and bottom of frame, (Figs 1-3).
- Repeat previous Steps to remove driver/left side hardware.
- Raise bed up slightly, only enough to clear bumper brackets. With assistance, pull bumper and brackets straight out from vehicle, (Figs 6-7). Reattach bed and tighten hardware.

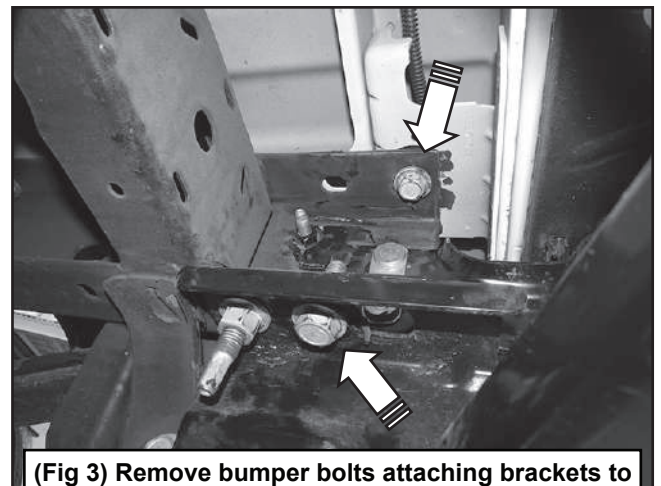


(Fig 1) Remove bumper bolts from outside of frame (arrows). Passenger side pictured from below

2014-16 models, remove rear bed to frame bolts, loosen center bolts, (if equipped). Do not loosen front bolts.



(Fig 2) Remove bumper bolt from bottom of frame (arrow). Back of passenger side of model w-o receiver hitch pictured from below



(Fig 3) Remove bumper bolts attaching brackets to frame (arrows). Model with receiver hitch pictured

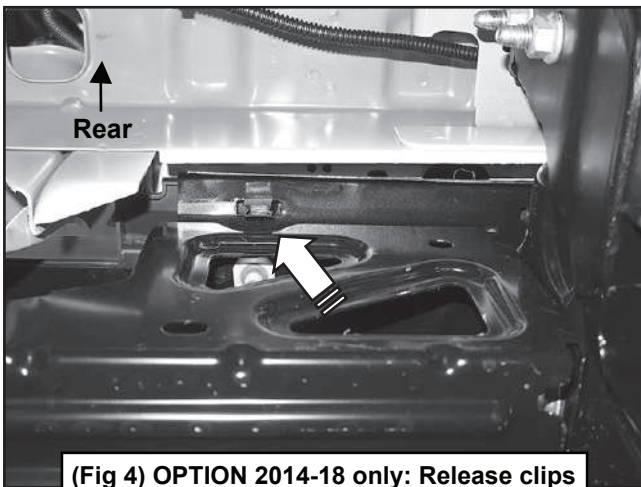


# TYGER<sup>®</sup>

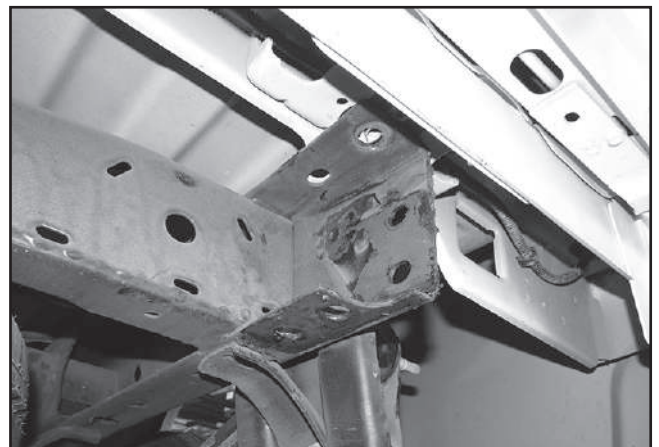
**OPTION for 14-18 models only:**

Bumper must be disassembled to remove to avoid raising the bed from the frame. Release the clips attaching the plastic cover to the steel bumper, (Fig 4). Remove cover and hardware attaching the outer bumper to the bumper brackets, (Fig 5). With assistance, remove the outer steel bumper, from the brackets, then remove the hex bolts attaching the brackets to the frame. Slide the brackets out of the ends of the frame, (Figs 6-7).

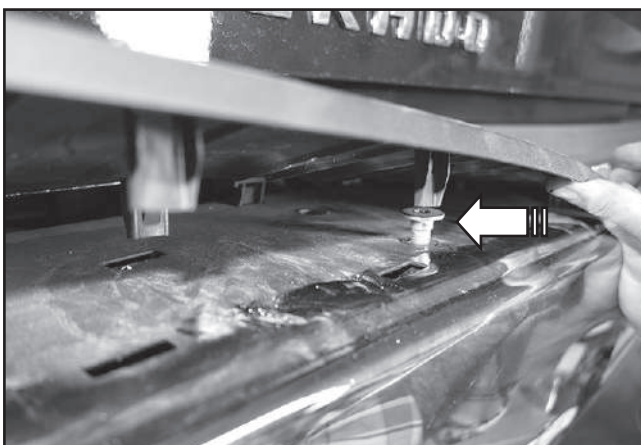
**WARNING! Before removing hardware, fully support the weight of the bumper with blocks or stands to prevent injury or damage to the vehicle.**



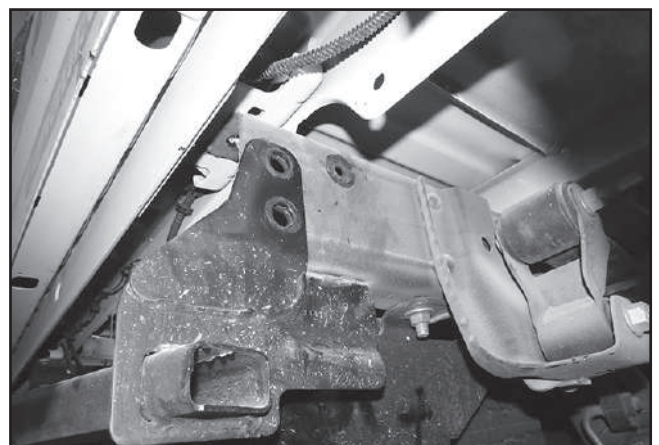
(Fig 4) OPTION 2014-18 only: Release clips to remove plastic bumper cover (arrow). Passenger side pictured from below



(Fig 6) End of frame once factory bumper is removed. Passenger side w-o receiver hitch pictured



(Fig 5) OPTION 2014-18 only: Remove bumper bolts attaching bumper to inner bracket. Remove outer bumper first, then remove inner brackets



(Fig 7) End of frame once factory bumper is removed. Passenger side with receiver hitch pictured



# TYGER<sup>®</sup>

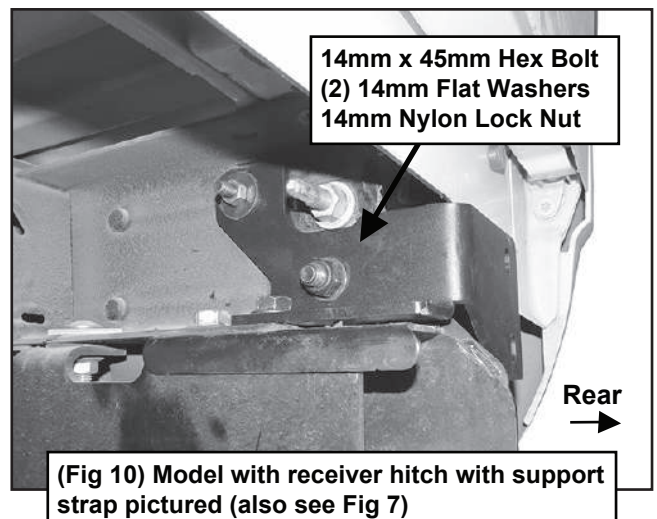
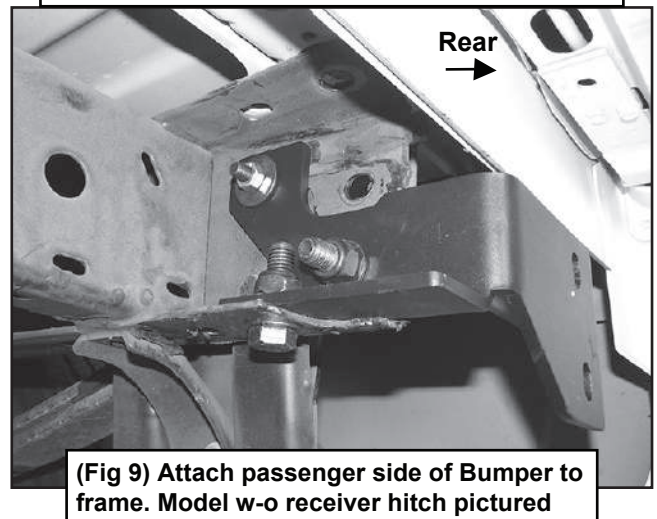
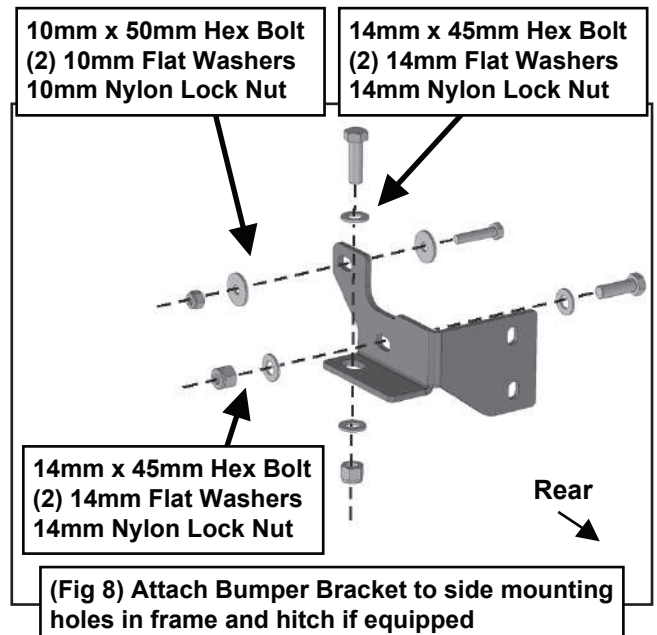
## STEP 4

Select the passenger/right Frame Bracket, (Fig 8). Slide the Bracket into the end of the frame. Attach the Bracket to the forward hole in the side of the frame with (1) 10mm x 50mm Hex Bolt, (2) 10mm Flat Washers and (1) 10mm Nylon Lock Nut. Attach the Bracket to the side and bottom of the frame with (2) 14mm x 45mm Hex Bolts, (4) 14mm Flat Washers and (2) 14mm Nylon Lock Nut, (Figs 8-9). Do not fully tighten hardware at this time.

**NOTE:** On some models/years, the factory tow hitch may have support straps attached to the outside of the frame. Use the included (1) 14mm x 45mm Hex Bolt, (2) 14mm Flat Washers and (1) 14mm Nylon Lock Nut to attach the top hole in the strap to the top mounting hole, (Figs 7 & 10). Bottom hole in strap is attached to Bumper Bracket.

## STEP 5

Repeat Step 4 to install the driver/left Frame Bracket.





# TYGER<sup>®</sup>

## STEP 6

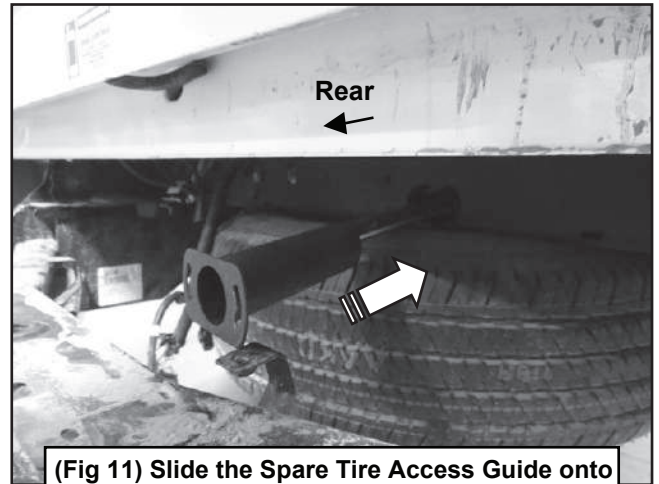
Slide the Spare Tire Access Guide onto the OE spare tire tube before installing the bumper onto the vehicle, (Fig 11).

## STEP 7

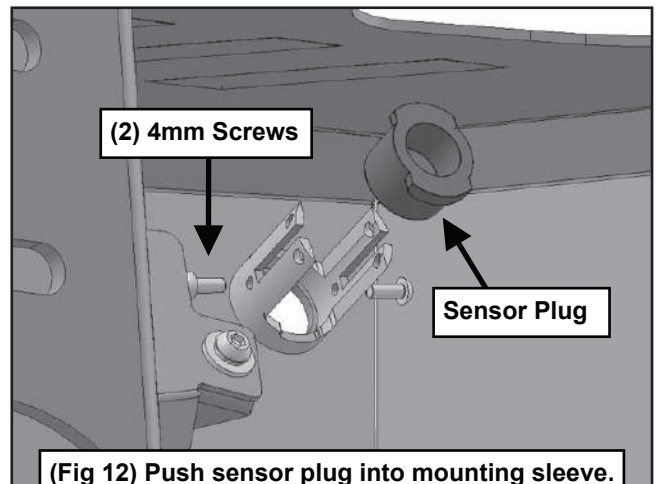
Determine if the vehicle is equipped with sensors. All models, remove wiring harness from bumper:

### Models without bumper sensors:

- a. Select the included (4) Rubber Plugs.
- b. From behind bumper, push plugs into sensor mounting holes, (Fig 12). Screws have been provided to lock the plugs in the sleeve. Use is optional.



(Fig 11) Slide the Spare Tire Access Guide onto the OE spare tire tube



(Fig 12) Push sensor plug into mounting sleeve. Use of 4mm Screws is optional

**NOTE:** Sensor plugs fit snug in sockets. Use of the 4mm Screws is optional. 4mm Screws can also be used to apply slight pressure to lock the sensors in place or to aim the sensor. Tighten both screws evenly until they touch the sensor body only. Do not overtighten screws or damage to sensors will result.



# TYGER<sup>®</sup>

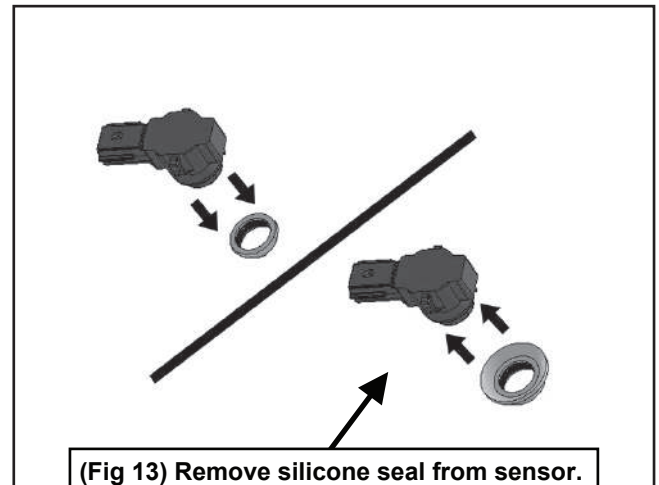
### Models with bumper mounted sensors:

- a. Remove sensors from factory bumper.
- b. Remove the silicone seal from the end of the sensor. Slide the included larger Sensor Seal over front of sensor, (Fig 13).
- c. Insert sensor with Seal into sensor mount, (Fig 14).
- d. Place solid Foam Washer over end of sensor. Push Sensor Retaining Clip into sensor mount and lock into mounting holes, (Fig 14).
- e. Repeat previous Steps to install remaining sensors.
- f. Install wiring harness for license plate lights and sensors.
- g. **Optional:** Secure each sensor to the socket with (2) 4mm x 10mm Button Head Screws, (Fig 12).

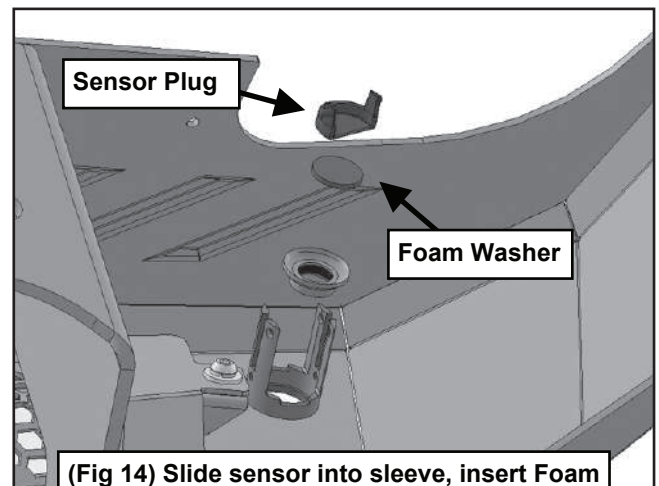
**IMPORTANT:** Sensors fit snug in sockets. The 4mm Screws are used to apply slight pressure to lock the sensors in place. Tighten both screws evenly until they touch the sensor body only. Do not overtighten screws or damage to sensors will result.

### LED cube style light installation (light not included):

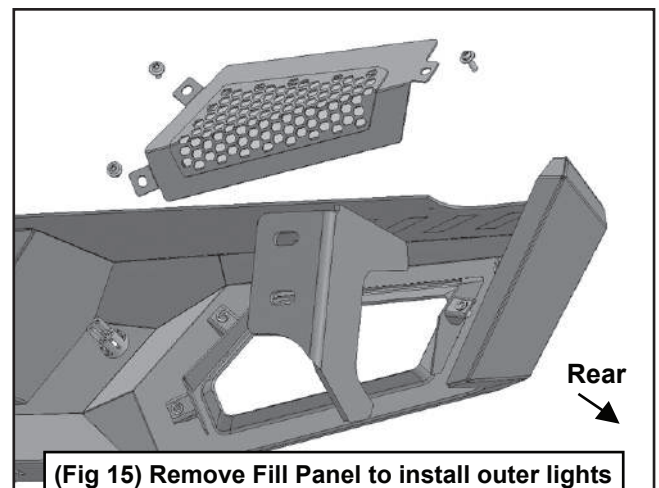
- a. Remove outer covers from back of Bumper.
- b. Attach lights to mounting tabs on back of each end of the Bumper, (Fig 15).



(Fig 13) Remove silicone seal from sensor. Slide large Seal over end of sensor (arrow)



(Fig 14) Slide sensor into sleeve, insert Foam Washer and Clip to lock sensor in sleeve



(Fig 15) Remove Fill Panel to install outer lights if desired (available separately)



# TYGER<sup>®</sup>

## STEP 8

Insert the included (4) 12mm x 35mm Hex Bolts with (4) 12mm Flat Washers into and through the mounting plates on the Bumper. Thread (4) 12mm Plastic Retainers onto the (4) Hex Bolts to help hold them in place, (Fig 16). Temporarily support the weight of the Bumper.

**WARNING:** To avoid possible injury or damage to the vehicle, do not proceed until the Bumper is fully and safely supported.

## STEP 9

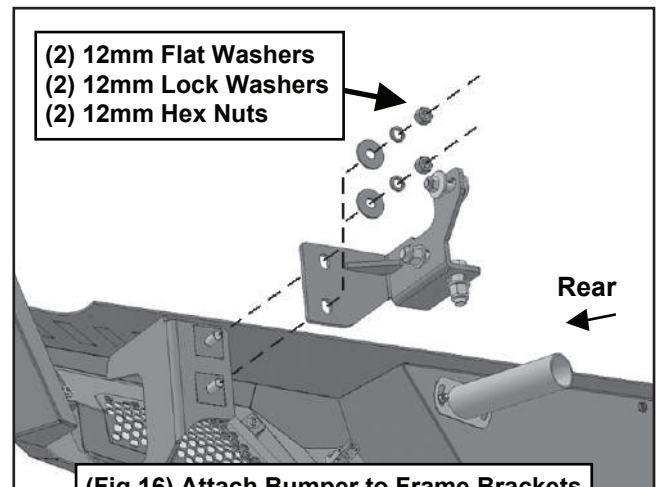
With assistance, position the Bumper Assembly up to the Frame Brackets. Attach the Bumper to the Brackets with the included (4) 12mm Flat Washers, (4) 12mm Lock Washes and (4) 12mm Hex Nuts, (Figs 16-17). Do not fully tighten hardware at this time.

## STEP 10

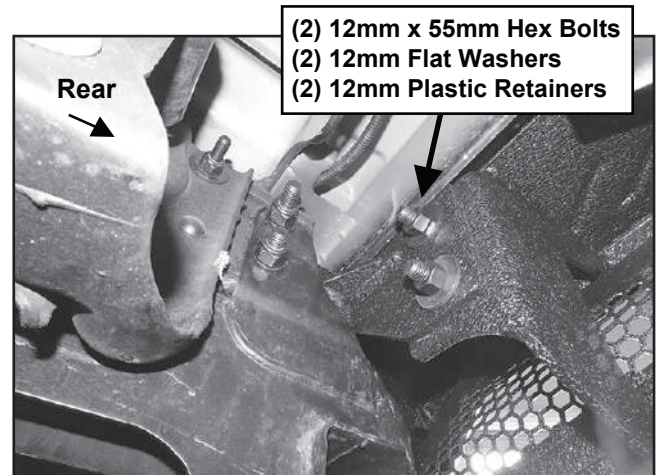
Attach the Spare Tire Access Guide to the back of the Bumper using (2) 6mm Button Head Bolts, (4) 6mm Flat Washers and (2) 6mm Nylon Lock Nuts, (Fig 18).

## STEP 11

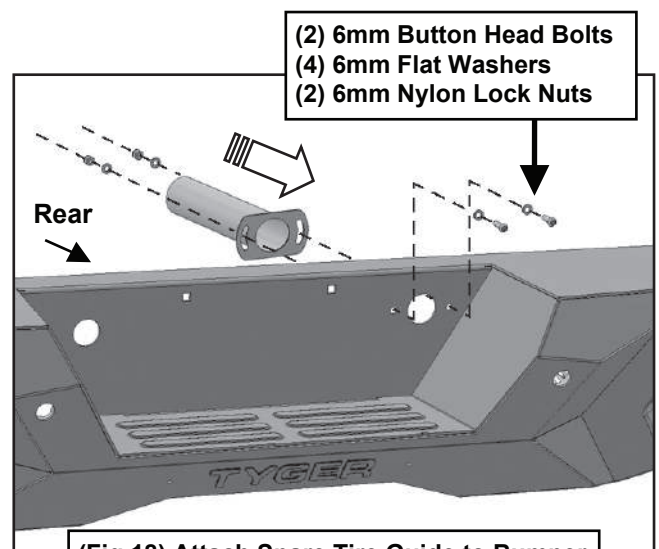
Level and adjust the bumper and fully tighten all hardware. Slowly open tailgate and check for clearance. Adjust as necessary.



(Fig 16) Attach Bumper to Frame Brackets



(Fig 17) Attach Bumper to Frame Brackets (driver/left side installation pictured)



(Fig 18) Attach Spare Tire Guide to Bumper



# TYGER<sup>®</sup>

## STEP 12

Use the included (2) push-in Plastic Plugs to attach the rear license plate to the (2) holes in the Bumper, (Fig 19). Insert the License Plate Light into the hole in the bumper. Attach the License Plate Light wires to the end of the factory wire harness.

## STEP 13

Select the correct mounting plate for your trailer harness plug. Attach the mounting plate to the bottom of the bumper with (2) 6mm Button Head Bolts, (4) 6mm Flat Washers and (2) 6mm Nylon Lock Nuts, (Fig 20).

**NOTE:** On 2011-14 models, use the included (2) Self Tapping Screws to attach the trailer plug to the Bracket.

## STEP 14

Attach the wiring harness to the lights and trailer plug.

## STEP 15

Use the included Wire Ties to secure the wiring harness to the bumper and frame as necessary.

## STEP 16

Do periodic inspections to the installation to make sure that all hardware is secure and tight.

