



FRONT BUMPER

TG-BP6T80668

BEFORE INSTALLATION

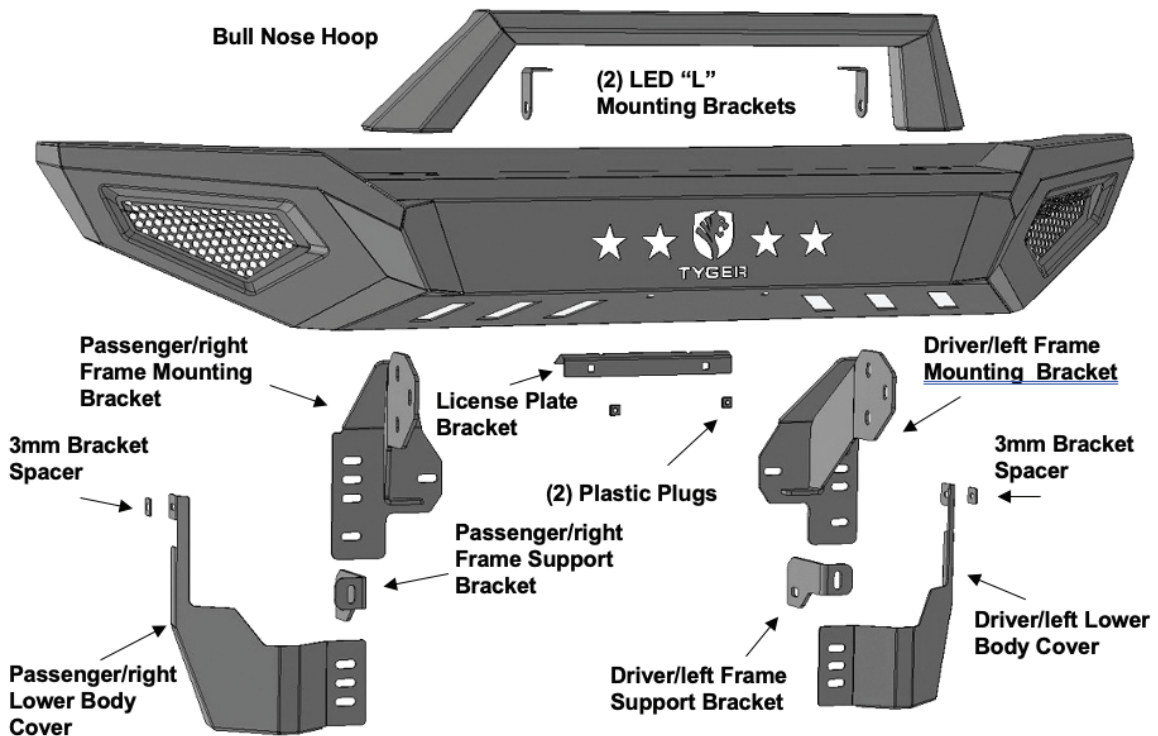
READ INSTRUCTIONS CAREFULLY BEFORE STARTING INSTALLATION. REMOVE CONTENTS FROM BOX AND VERIFY ALL PARTS ARE PRESENT. FAILURE TO IDENTIFY DAMAGE BEFORE INSTALLATION COULD LEAD TO A REJECTION OF ANY CLAIM. IF MISSING PARTS OR ANY DAMAGE FOUND, PLEASE TAKE A PICTURE FOR THE CLAIM PURPOSE.

TORQUE VALUES

| Fastener Size | Class 8.8 Torque (ft-lbs) | Class 10.9 Torque (ft-lbs) |
|---------------|---------------------------|----------------------------|
| 6mm | 6-7 | 6-7 |
| 8mm | 15-16 | 22-23 |
| 10mm | 31-32 | 44-45 |
| 12mm | 54-55 | 78-79 |
| 14mm | 87-88 | 125-126 |

Parts List

- x1 Front Bumper Assembly
- x1 Bull Nose Hoop
- x1 Driver/left Mounting Bracket
- x1 Passenger/right Mounting Bracket
- x1 Driver/left Support Bracket
- x1 Passenger/right Support Bracket
- x1 Driver/left Lower Body Cover
- x1 Passenger/right Lower Body Cover
- x2 3mm Bracket Spacers
- x2 LED "L" Mounting Brackets
- x1 License Plate Bracket
- x2 Plastic Plugs for license plate mount
- x2 12mm-1.25mm x 45mm Fine Thread Hex Bolts
- x2 12mm x 37mm x 3mm Flat Washers
- x2 12mm Lock Washers
- x8 10mm-1.5mm x 35mm Hex Bolts
- x16 10mm x 24mm x 2mm Flat Washers
- x8 10mm Lock Washers
- x8 10mm Hex Nuts
- x6 8-1.25mm x 25mm Button Head Bolts
- x2 8-1.25mm x 16mm Hex Bolts
- x14 8mm x 24mm Flat Washers
- x8 8mm Lock Washers
- x6 8mm Hex Nuts
- x4 6mm x 20mm Button Head Bolts
- x2 6mm x 25mm Hex Bolts
- x12 6mm x 18mm x 1.6 Flat Washers
- x6 6mm Nylon Lock Nuts
- x1 5mm Wrench
- x1 4mm Wrench





PROCEDURE:

REMOVE CONTENTS FROM BOX. VERIFY ALL PARTS ARE PRESENT. READ INSTRUCTIONS CAREFULLY BEFORE STARTING INSTALLATION. BUMPER IS HEAVY, ASSISTANCE IS HIGHLY RECOMMENDED TO AVOID POSSIBLE INJURY OR DAMAGE TO THE VEHICLE. CUTTING IS REQUIRED.

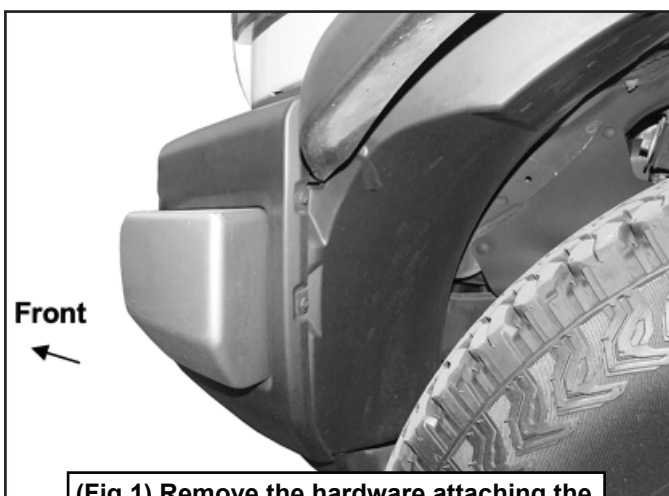
STEP 1

Remove the license plate and bracket.

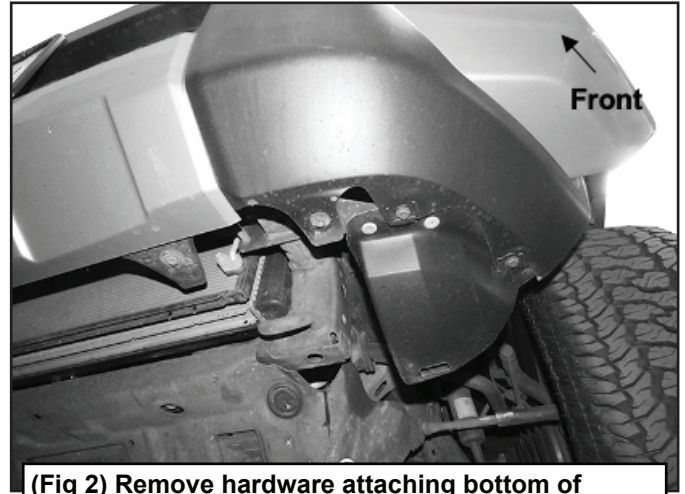
STEP 2

Move to the driver/left wheel opening. Remove the hardware attaching the fender liner to the end of the bumper cover (Fig 1). Move to the bottom of the bumper and remove the hardware attaching the end and center of the bumper cover (Fig 2). Continue to the passenger/right wheel opening and remove the hardware attaching the end of the fender cover.

Driver/Left Side Installation Pictured



(Fig 1) Remove the hardware attaching the fender liner to the plastic bumper cover



(Fig 2) Remove hardware attaching bottom of plastic bumper cover (pictured from below bumper)

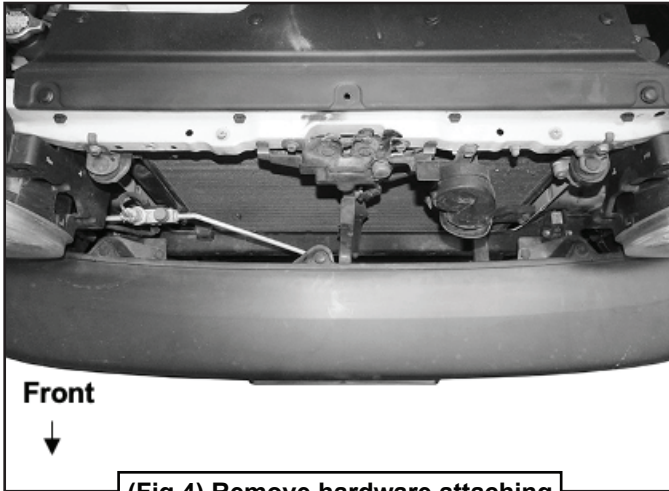
STEP 3

Next, open the hood and carefully remove the grille (Fig 3). Remove the hardware attaching the top of the bumper cover (Fig 4). With assistance, pop the ends of the cover off of the inner clips and pull the bumper cover off of the vehicle (Fig 5).

Driver/Left Side Installation Pictured

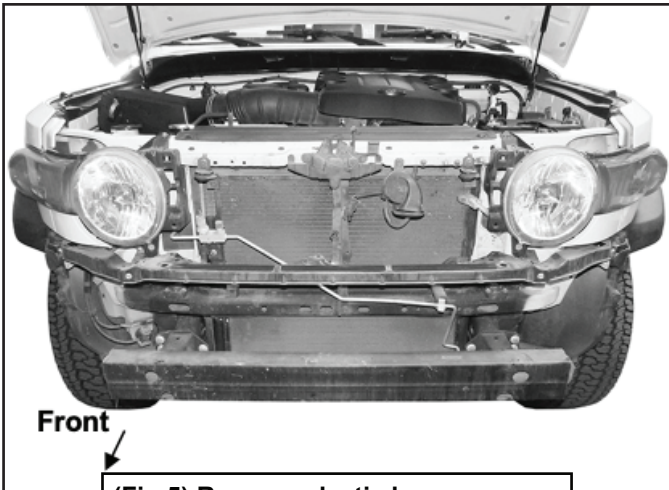


(Fig 3) Open hood and remove grille



(Fig 4) Remove hardware attaching top of plastic bumper cover

WARNING! DO NOT crawl under bumper unless it is properly supported on blocks or stands or the bumper may fall.

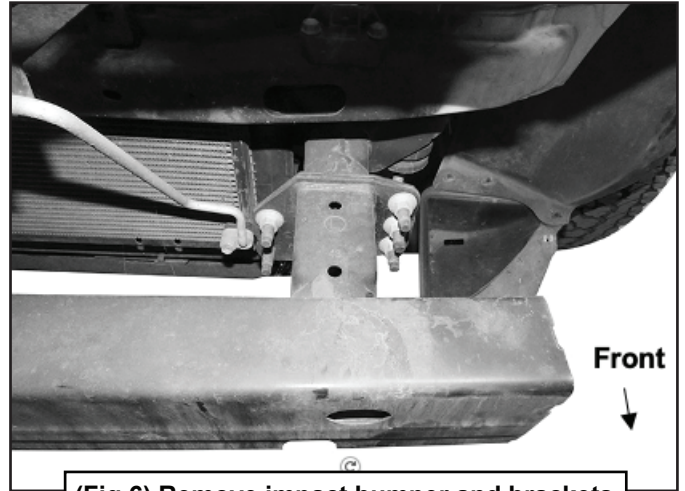


(Fig 5) Remove plastic bumper cover

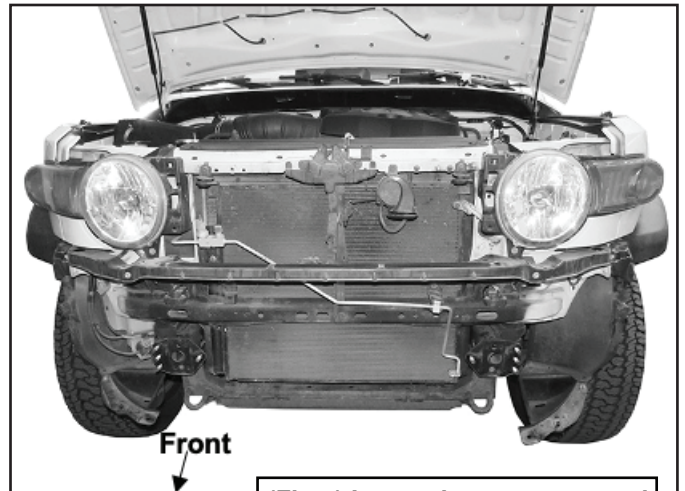
STEP 4

Remove the inner impact bumper with brackets from the end of the frame (Figs 6 & 7).

Driver/Left Side Installation Pictured



(Fig 6) Remove impact bumper and brackets



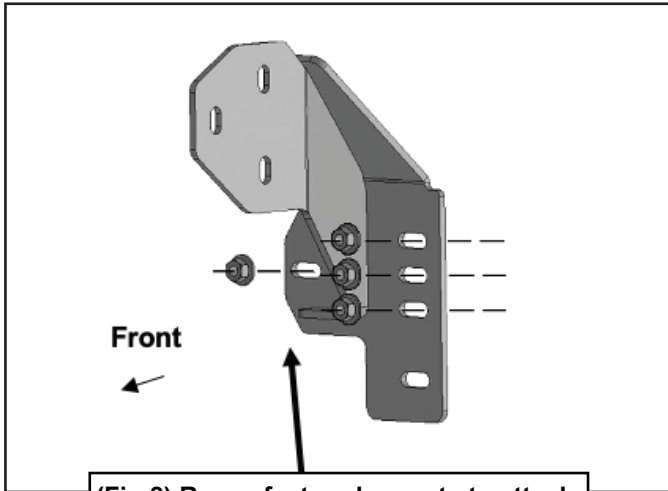
(Fig 7) Impact bumper removed

STEP 5

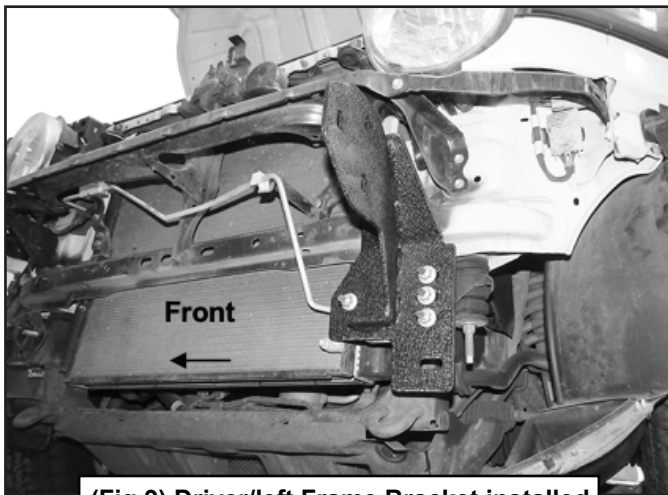
Select the driver/left Frame Mounting Bracket (Fig 8). Reuse the factory hex nuts to attach the Bracket to the end of the frame (Fig 9). DO NOT fully tighten hardware at this time.



Driver/Left Side Installation Pictured



(Fig 8) Reuse factory hex nuts to attach driver/left Frame Mounting Bracket



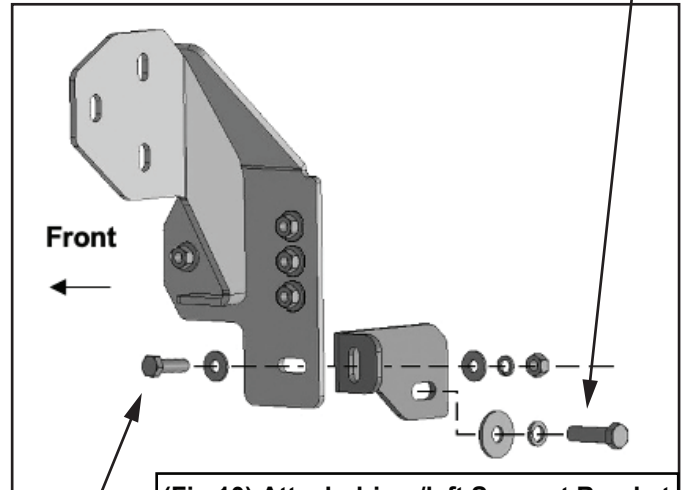
(Fig 9) Driver/left Frame Bracket installed

STEP 6

Next, select the driver/left Frame Support Bracket (Fig 10). Attach the Support Bracket to the threaded hole in the outside of the frame with the included (1) 12-1.25mm x 45mm Fine Thread Hex Bolt, (1) 12mm Lock Washer and (1) 12mm Flat Washer. Attach the front of the Support Bracket to the back of the Frame Bracket with the included (1) 10mm x 35mm Hex Bolt, (2) 10mm Flat Washers, (1) 10mm Lock Washer and (1) 10mm Hex Nut, (Figs 10 & 11). DO NOT fully tighten hardware.

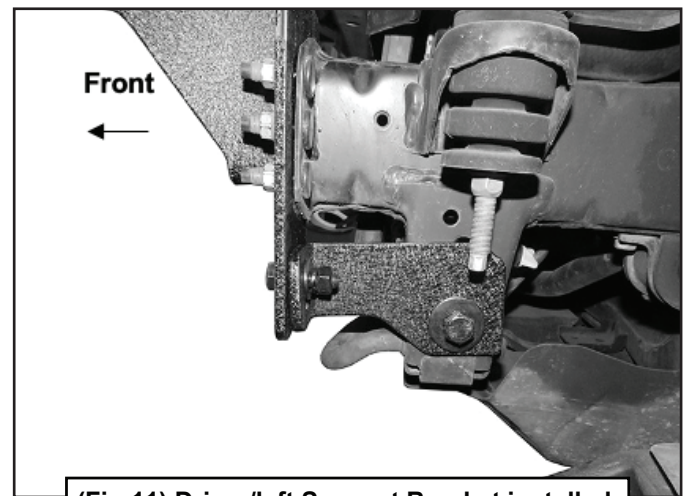
Driver/Left Side Installation Pictured

- (1) 12mm x 45mm Fine Thread Hex Bolt
- (1) 12mm Lock Washer
- (1) 12mm Flat Washer



(Fig 10) Attach driver/left Support Bracket to Frame Bracket and side of frame

- (1) 10mm x 35mm Hex Bolt
- (2) 10mm Flat Washers
- (1) 10mm Lock Washer
- (1) 10mm Hex Nut



(Fig 11) Driver/left Support Bracket installed



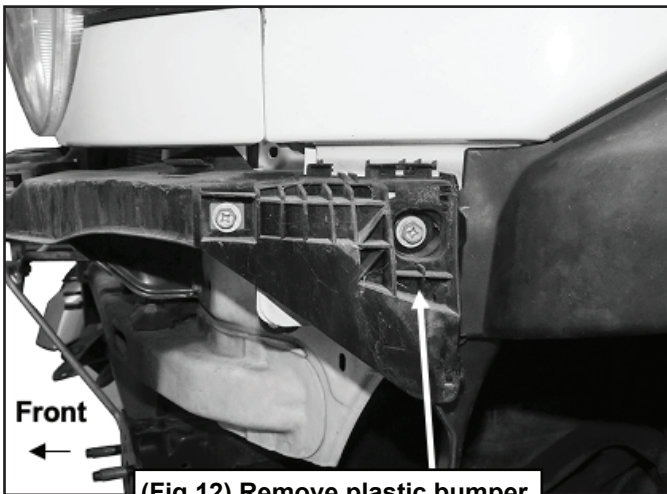
STEP 7

Repeat **STEPS 5 & 6** to install the passenger/right Frame and Support Brackets.

STEP 8

Remove the outer plastic bumper mount from below the driver/left turn signal light (Fig 12). Attach the end of the fender with the included (1) 6mm x 20mm Button Head Bolt, (2) 6mm Flat Washers and (1) 6mm Nylon Lock Nut (Fig 13).

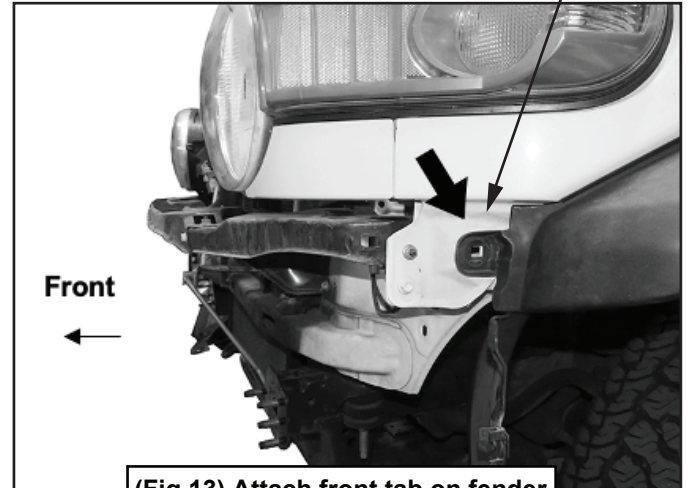
Driver/Left Side Installation Pictured



(Fig 12) Remove plastic bumper clip (driver/left side pictured)

WARNING! DO NOT crawl under bumper unless it is properly supported on blocks or stands or the bumper may fall.

- (1) 6mm x 20mm Button Head Bolt
- (2) 6mm Flat Washers
- (1) 6mm Nylon Lock Nut



(Fig 13) Attach front tab on fender (driver/left side pictured)

STEP 9

Temporarily remove the body fill panel from below the turn signal and headlight (Fig 14).

Driver/Left Side Installation Pictured



(Fig 14) Temporarily remove driver/left body fill panel below turn signal assembly (arrow)



STEP 10

Next remove the steel supports from under the headlight (Fig 15). Repeat **STEPS 8 & 9** to remove the Passenger/Right plastic mount, attach the fender and remove the steel support.



(Fig 15) Remove steel cross brace below headlight (arrow)

STEP 11

Remove the connecting crossbar in front of the radiator (Fig 16).

- (1) Bracket Spacer
- (1) 6mm x 25mm Hex Bolt
- (2) 6mm Flat Washers
- (1) 6mm Nylon Lock Nuts

Insert Spacer between tab on body and Mounting Tab on Cover



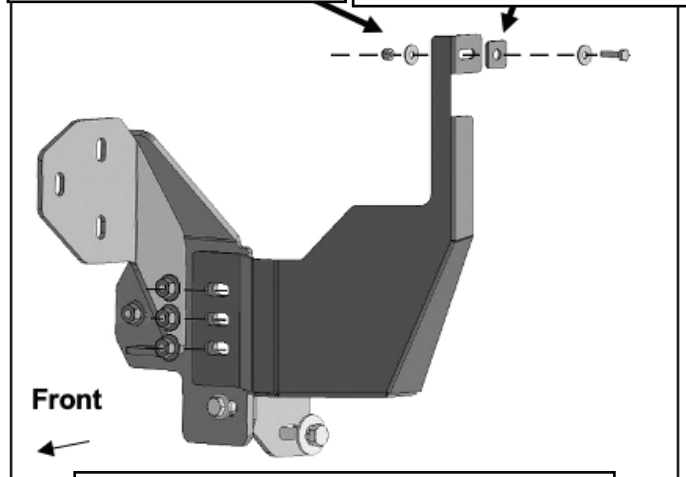
(Fig 16) Passenger/right installation of Lower Body Cover illustrated. Attach mounting tab on top of Cover to back of tab on body (arrows)

STEP 12

Select the driver/left Lower Body Cover (Fig 16). Reuse the (3) factory hex nuts to attach the lower mount on the Cover to the front of the Frame Bracket. Attach the tab at the top of the Cover to the back of the tab on the body with (1) Spacer, (1) 6mm x 25mm Hex Bolt, (2) 6mm Flat Washers and (1) 6mm Nylon Lock Nut. Repeat this STEP to attach the passenger/right Lower Body Cover (Fig 17).

- (1) 6mm x 25mm Hex Bolt
- (2) 6mm Flat Washers
- (1) 6mm Nylon Lock Nuts

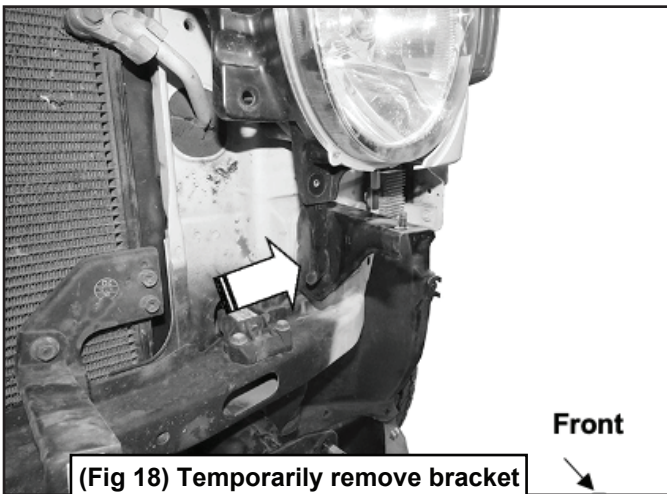
Insert Spacer between tab on body and Mounting Tab on Cover



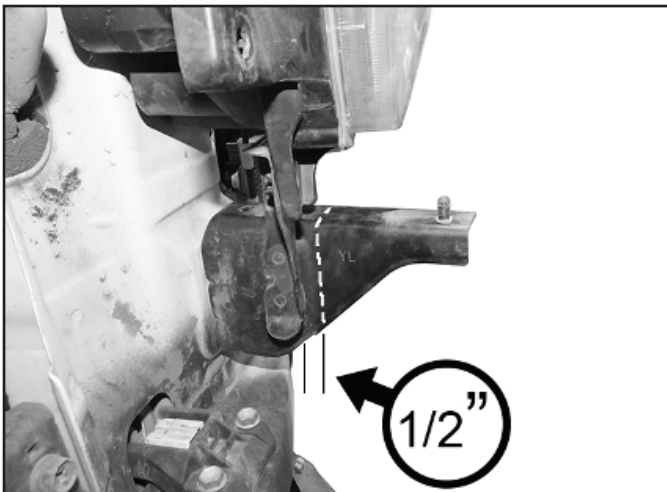
(Fig 17) Reuse factory hex nuts to attach driver/left Lower Body Cover to (3) studs in front of Frame Mounting Bracket. Attach top tab on Cover to back of tab on body

STEP 13

Select the driver/left headlight support (Fig 18). Mark a vertical line approximately $1/2$ " in front of the headlight support tab (Fig 19). Temporarily remove support bracket and cut along this line. Reinstall the headlight support. Reinstall the hex bolt below the headlight to support the housing. Repeat to cut and reinstall the passenger/right headlight support bracket. Reinstall the driver/left and passenger/right fill panels removed in **STEP 9**.



(Fig 18) Temporarily remove bracket below headlight assembly (arrow)

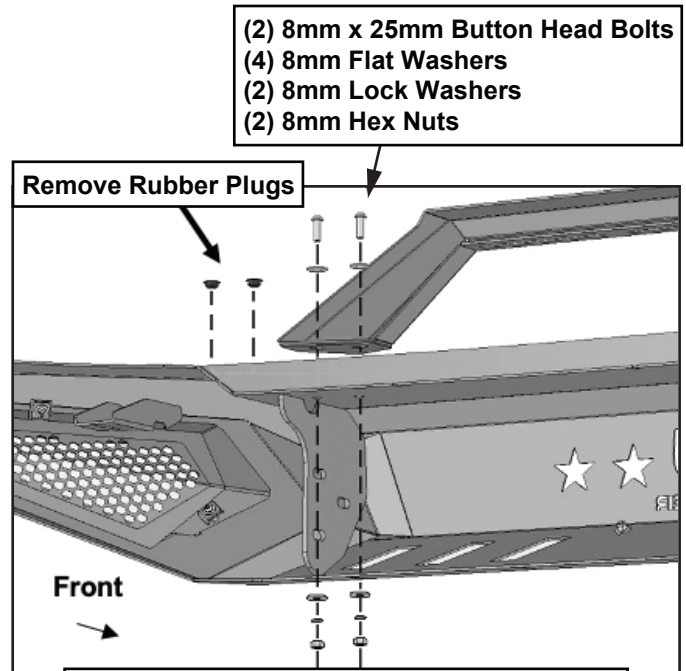


(Fig 19) Mark a line to cut approximately 1/2' in front of tab on bracket. Remove bracket and use hacksaw to cut. Reinstall bracket after cutting

STEP 14

Carefully unwrap the Bumper and Bull Nose Hoop. Remove the (4) Rubber Plugs from the top of the Bumper. Attach the Hoop to the Bumper with the included (4) 8mm x 25mm Button Head Bolts, (8) 8mm Flat Washers, (4) 8mm Lock Washers and (4) 8mm Hex Nuts (Fig 20).

NOTE: Hoop installation is optional.



(Fig 20) Remove Rubber Plugs to attach Hoop to top of Bumper (installation optional)

STEP 15

With assistance, position the Bumper Assembly up to the outside of the Frame Brackets. Temporarily support the weight of the Bumper.

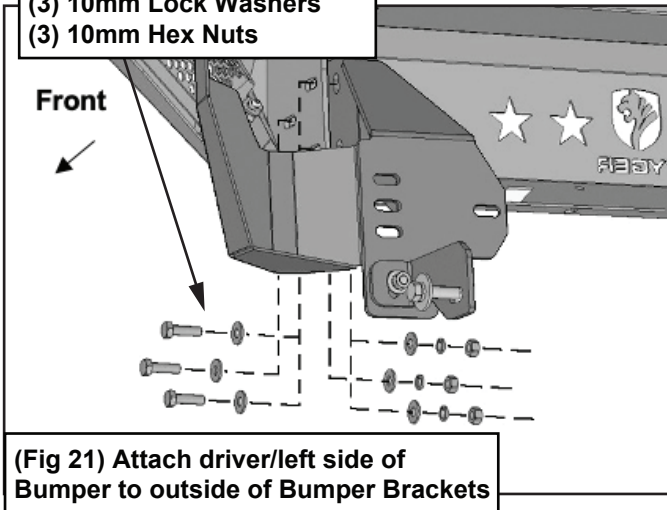
WARNING: To avoid possible injury or damage to the vehicle, do not proceed until the bumper is fully and safely supported.

STEP 16

Attach the Bumper to the driver/left Bracket with the included (3) 10mm x 35mm Hex Bolts, (6) 10mm Flat Washers, (3) 10mm Lock Washers and (3) 10mm Hex Nuts (Fig 21). Leave hardware loose at this time. Repeat this STEP to attach the passenger/right side of the Bumper to the Bracket.



- (3) 10mm x 35mm Hex Bolts
- (6) 10mm Flat Washers
- (3) 10mm Lock Washers
- (3) 10mm Hex Nuts



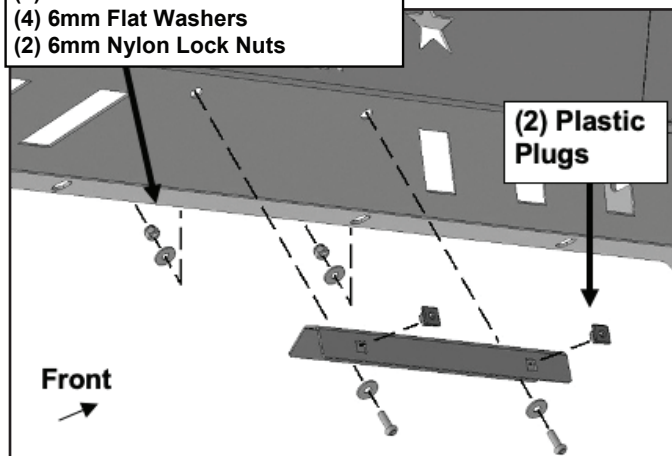
STEP 17

Level and adjust the bumper and fully tighten all hardware.

STEP 18

If front license plate is required, attach the License Plate Bracket to the holes in the bumper with the included (2) 6mm x 20mm Button Head Bolts, (4) 6mm Flat Washers and (2) 6mm Nylon Lock Nuts (Fig 22). Insert (2) Plastic Plugs into the square holes in the Bracket. Reuse the factory screws to attach the license plate to the plastic plugs.

- (2) 6mm x 20mm Button Head Bolts
- (4) 6mm Flat Washers
- (2) 6mm Nylon Lock Nuts

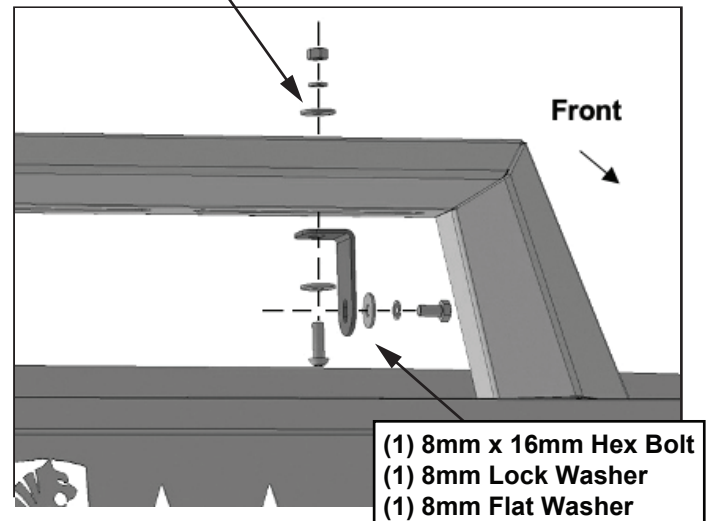


STEP 19

LED light installation on Bull Nose Hoop, (light sold separately).

a. Select (1) "L" Bracket. Attach the "L" Bracket to the slot in the Hoop with (1) 8mm x 25mm Button Head Bolt, (2) 8mm Flat Washers, (1) 8mm Lock Washer and (1) 8mm Hex Nut (Fig 23). DO NOT fully tighten hardware at this time.

- (1) 8mm x 25mm Button Head Bolt
- (2) 8mm Flat Washers
- (1) 8mm Lock Washer
- (1) 8mm Hex Nut



(Fig 23) Attach LED "L" Mounting Brackets to bottom of hoop (optional)

b. Repeat the previous Steps to attach the passenger/right "L" Bracket.

c. Attach Light (not included) to "L" Brackets with the included (2) 8mm x 16mm Hex Bolts, (2) 8mm Lock Washers and (2) 8mm Flat Washers. Adjust light position and tighten hardware.

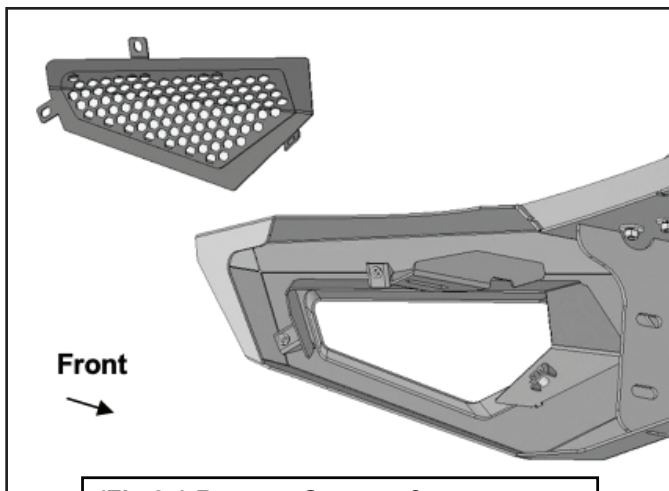
d. Follow light manufacturer's instructions to properly wire the light.



STEP 20

LED light installation at ends of bumper (sold separately).

- a. Remove the screen from the opening (Fig 24).
- b. Attach light, (not included), to mounting tab on back of Bumper.



(Fig 24) Remove Screens for accessory light installation (lights not included)

STEP 21

Do periodic inspections to the installation to make sure that all hardware is secure and tight.