



# TYGER®

## FRONT BUMPER

TG-BP6T80168

### BEFORE INSTALLATION

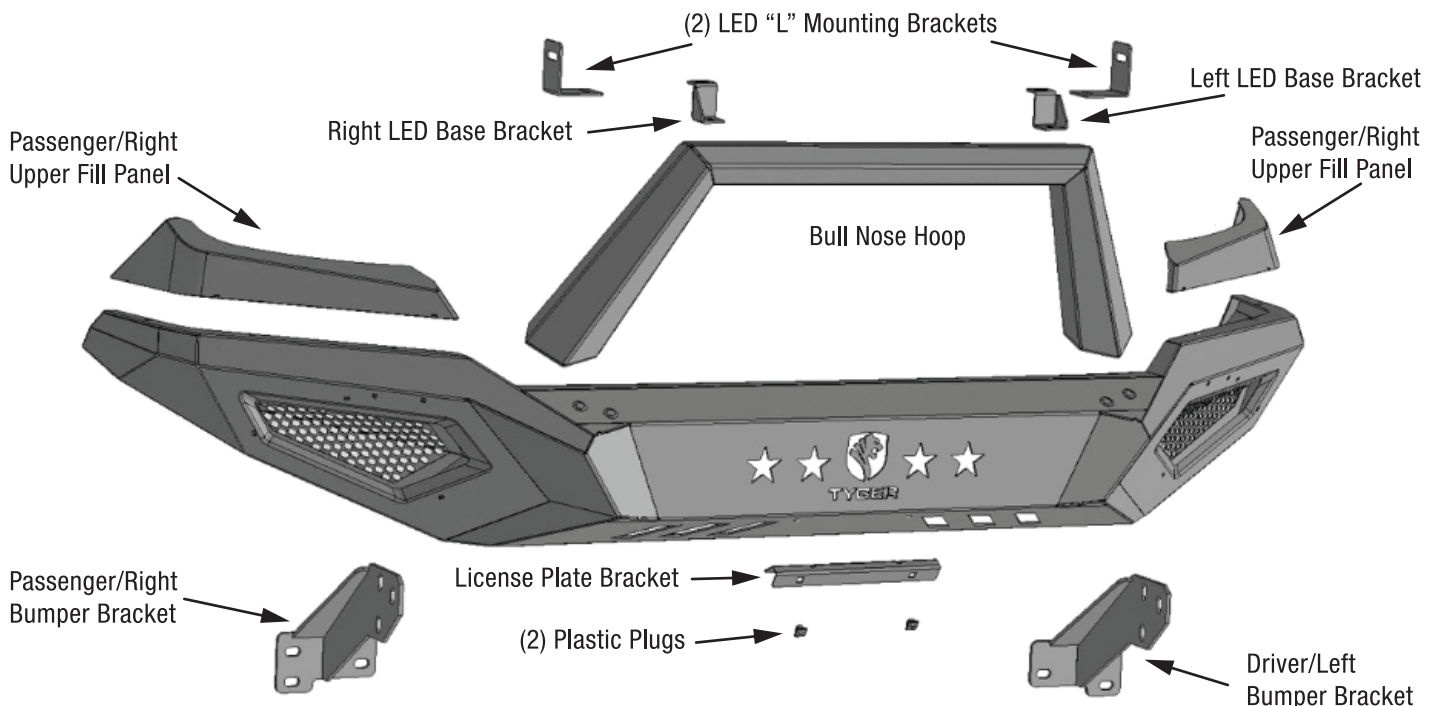
READ INSTRUCTIONS CAREFULLY BEFORE STARTING INSTALLATION. REMOVE CONTENTS FROM BOX AND VERIFY ALL PARTS ARE PRESENT. FAILURE TO IDENTIFY DAMAGE BEFORE INSTALLATION COULD LEAD TO A REJECTION OF ANY CLAIM. IF MISSING PARTS OR ANY DAMAGE FOUND, PLEASE TAKE A PICTURE FOR THE CLAIM PURPOSE.

### TORQUE VALUES

Fastener Size	Class 8.8 Torque (ft-lbs)	Class 10.9 Torque (ft-lbs)
6mm	6-7	6-7
8mm	15-16	22-23
10mm	31-32	44-45
12mm	54-55	78-79
14mm	87-88	125-126

## Parts List

- x1 Front Bumper Assembly
- x1 Bull Nose Hoop
- x2 Base Seals (Bull Nose Hoop Base)
- x1 Driver/Left Upper Fill Panel
- x1 Passenger/Right Upper Fill Panel
- x1 Driver/Left Mounting Bracket
- x1 Passenger/Right Mounting Bracket
- x1 Driver/Left LED Base Bracket
- x1 Passenger/Right LED Base Bracket
- x2 LED "L" Mounting Brackets
- x1 License Plate Bracket
- x2 Plastic Plugs for license plate mount
- x6 10mm-1.5mm x 40mm Hex Bolts
- x12 10mm x 24mm x 2mm Flat Washers
- x6 10mm Lock Washers
- x6 10mm Hex Nuts
- x6 8-1.25mm x 25mm Button Head Bolts
- x2 8-1.25mm x 25mm Hex Bolts
- x2 8-1.25mm x 16mm Hex Bolts
- x16 8mm x 24mm Flat Washers
- x10 8mm Lock Washers
- x2 8mm Hex Nuts
- x8 6mm x 25mm Buttons Head Bolts
- x4 6mm x 18mm x 1.6 Flat Washers
- x12 6mm x 12mm x 1.6 Flat Washers
- x6 6mm Lock Washers
- x8 6mm Nylon Lock Nuts
- x1 5mm Wrench
- x1 4mm Wrench





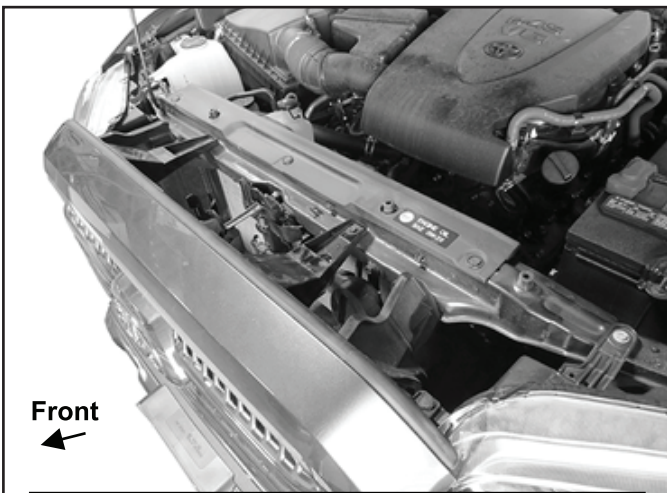
## PROCEDURE:

REMOVE CONTENTS FROM BOX. VERIFY ALL PARTS ARE PRESENT. READ INSTRUCTIONS CAREFULLY BEFORE STARTING INSTALLATION. BUMPER IS HEAVY, ASSISTANCE IS HIGHLY RECOMMENDED TO AVOID POSSIBLE INJURY OR DAMAGE TO THE VEHICLE. CUTTING IS REQUIRED.

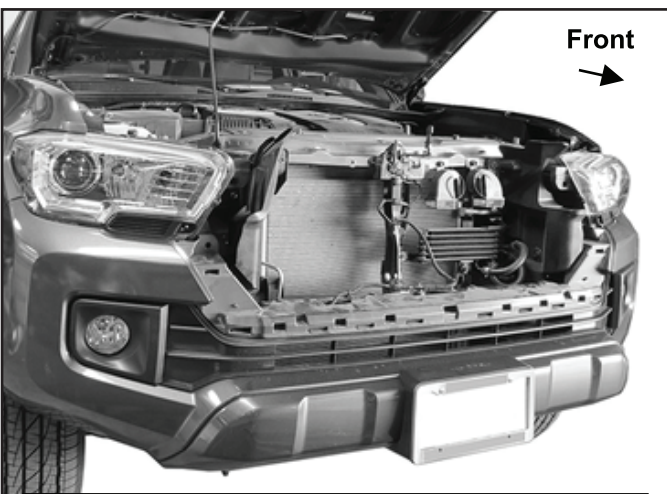
## STEP 1

Remove the license plate and bracket. Open the hood and remove the plastic cover from the top of the radiator and grille, (Figure 1). Next, carefully remove the plastic grille, (Figure 2). Remove the air dam from the bottom of the bumper.

**Driver/Left Side Installation Pictured**



(Fig 1) Remove plastic cover from top of radiator



(Fig 2) Remove grille, air dam from below bumper and license plate. Remove plastic bumper cover

## STEP 2

On models with factory fog lights, unplug the harness leading to the lights. Release the wiring harness from the clips attached to the back of the bumper. Move harness away from bumper.

## STEP 3

Carefully pull the front leading end of the fender flares outward to release from the bumper cover, (Figure 3). The flares do not need to be completely removed, only release the front portion and leave the rest of the flare attached.

**Driver/Left Side Installation Pictured**



(Fig 3) Remove plastic block (arrow) from front edge of fender. Reinstall hardware to secure headlight

## STEP 4

Remove the hardware attaching the plastic bumper cover at the top, ends and bottom. With assistance, pop the ends off of the inner clip and pull the bumper off of the vehicle. Remove the plastic bumper mount from below the passenger/right side headlight, (Figure 3). Reinstall the factory hardware to secure the headlight to the vehicle. Repeat this Step to remove the driver/left plastic mount.

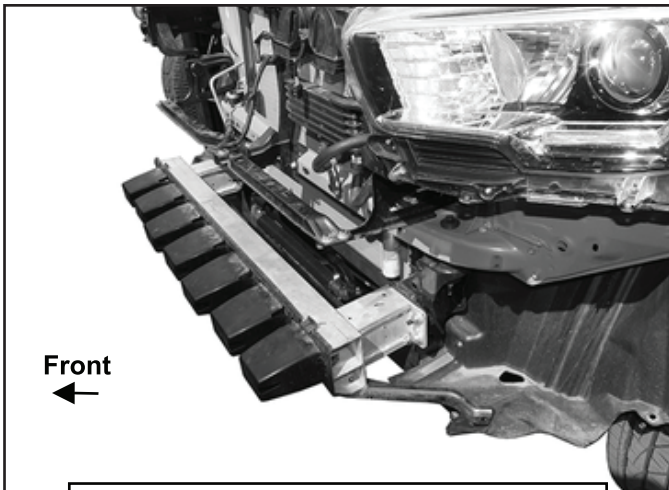


## STEP 5

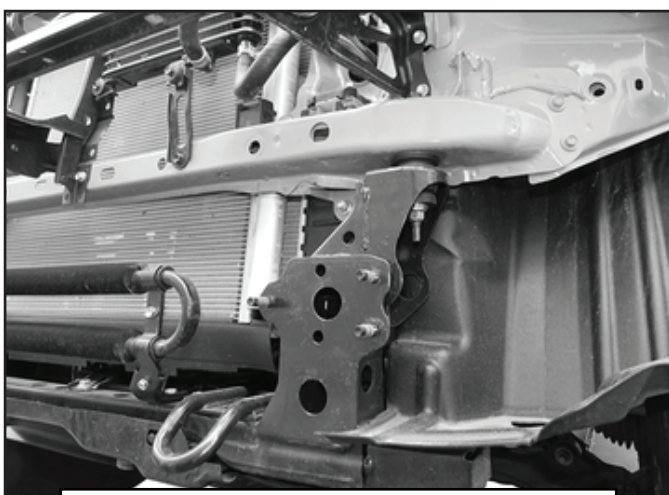
Remove the plastic impact pads, aluminum inner impact bumper and brackets from the end of the frame, (Figures 4 & 5). Next, remove the plastic splash guards from both ends.

**WARNING!** Do not crawl under bumper unless the bumper is properly supported on blocks or stands or the bumper may fall.

### Driver/Left Side Installation Pictured



(Fig 4) Remove plastic impact bumper and aluminum crossbar from bumper brackets



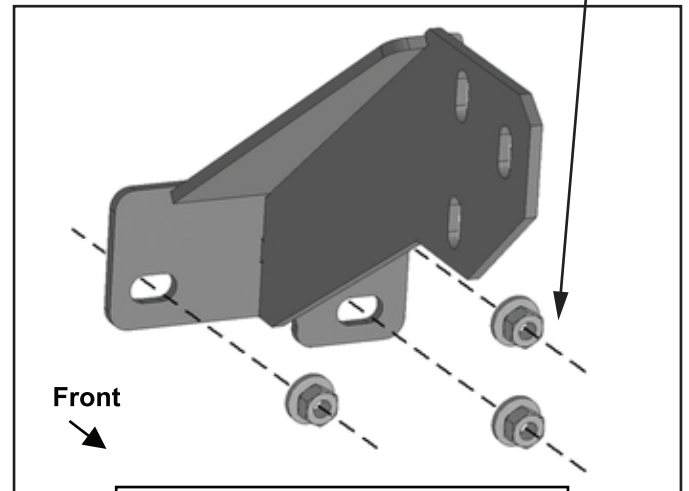
(Fig 5) Remove impact bumper and brackets

## STEP 6

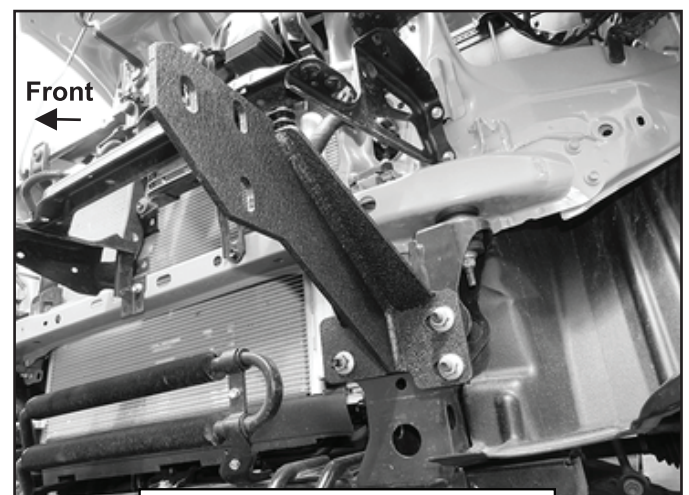
Select the driver/left Frame Mounting Bracket, (Figure 6). Reuse the factory hex nuts to attach the Bracket to the end of the frame, (Figure 7). Repeat to install the passenger/right Frame Bracket.

### Driver/Left Side Installation Pictured

Reuse factory hex nuts to attach Bumper Brackets



(Fig 6) Driver/left Bracket illustrated



(Fig 7) Bumper Bracket installed

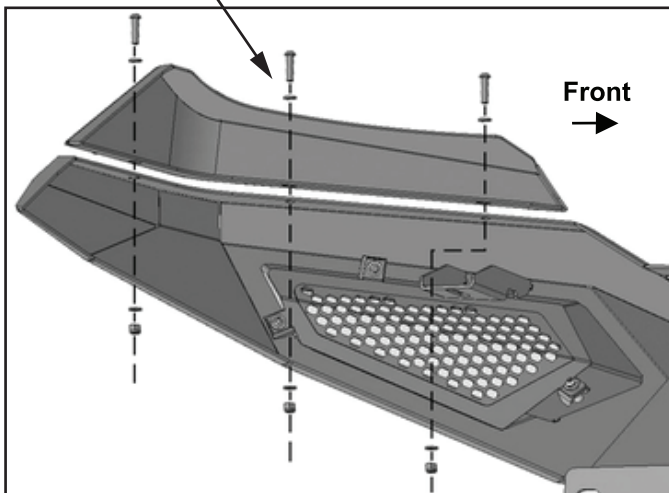


## STEP 7

Select the driver/left Fill Panel, (Figure 8). Attach the Fill Panel to the top of the Bumper with (3) 6mm Button Head Bolts, (6) 6mm Flat Washers and (3) 6mm Nylon Lock Nuts. Line up the edges of the Fill Panel with the Bumper and tighten hardware. Repeat this Step to install the passenger/right Fill Panel.

Driver/Left Side Installation Pictured

- (3) 6mm Button Head Bolts
- (6) 6mm Flat Washers
- (3) 6mm Nylon Lock Nuts



(Fig 8) Attach Fill Panel to top of Bumper

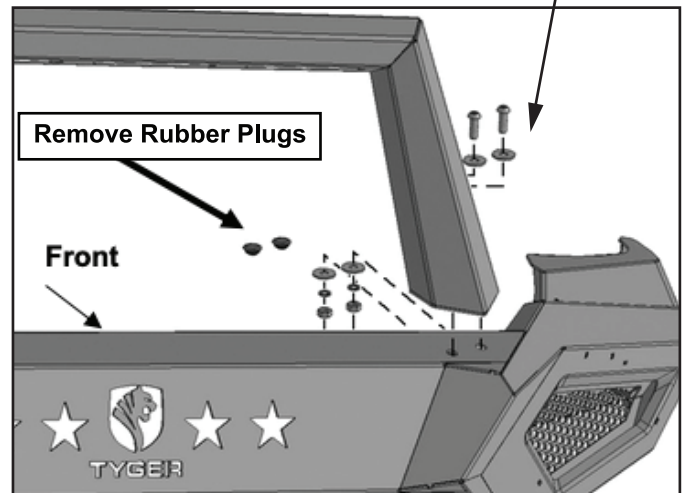
## STEP 8

Next, select the Bull Nose Hoop. Remove the (4) Rubber Plugs from the top of the Bumper. Attach the Hoop to the Bumper with the included (4) 8mm x 25mm Button Head Bolts, (8) 8mm Flat Washers, (4) 8mm Lock Washers and (4) 8mm Hex Nuts, (Figure 9).

**NOTE:** Installation is optional.

Driver/Left Side Installation Pictured

- (2) 8mm x 25mm Button Head Bolts
- (4) 8mm Flat Washers
- (2) 8mm Lock Washers
- (2) 8mm Hex Nuts



(Fig 9) Attach Bull Nose Hoop to top of Bumper (installation is optional)

## STEP 9

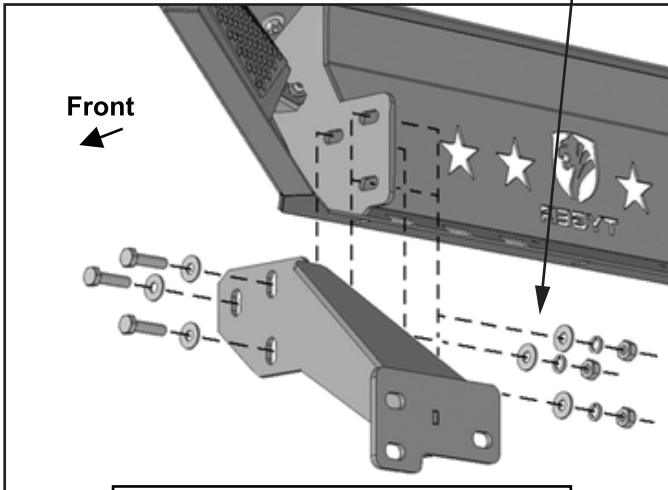
With assistance, position the Bumper Assembly up to the inside of the Frame Brackets. Temporarily support the weight of the Bumper.

**WARNING:** To avoid possible injury or damage to the vehicle, do not proceed until the bumper is fully and safely supported. Attach the Bumper to the driver/left Bracket with the included (3) 10mm x 40mm Hex Bolts, (6) 10mm Flat Washers, (3) 10mm Lock Washers and (3) 10mm Hex Nuts, (Figures 10 & 11). Leave hardware loose at this time. Repeat this Step to attach the passenger/right side of the Bumper to the Bracket.

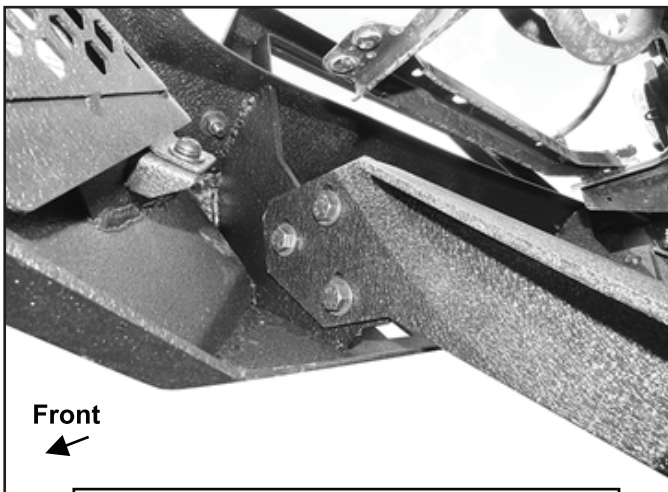


Driver/Left Side Installation Pictured

- (3) 10mm x 40mm Hex Bolts
- (6) 10mm Flat Washers
- (3) 10mm Lock Washers
- (3) 10mm Hex Nuts



(Fig 10) Attach Bumper to Brackets



(Fig 11) Driver/left side of Bumper attached to Bumper Bracket (pictured from below)

## STEP 10

Level and adjust the bumper and fully tighten all hardware.

**WARNING:** Do not crawl under bumper unless the bumper is properly supported on blocks or stands or the bumper may fall.

## STEP 11

Cover the passenger/right plastic fender flare with removable tape, (masking tape for example). Hold the fender flare in position on the fender and over the end of the Bumper. Draw a straight line onto the tape to match where the end of the fender and Bumper meet, (Figure 12). Use a sharp knife or hacksaw blade to carefully cut the leading end off of the flare along the line. Reattach the fender flare to the fender. Repeat to cut the driver/left fender flare.

Driver/Left Side Installation Pictured

Use removable tape to protect finish (not included)



(Fig 12) Cut front end off of the fender flare to match up to Bumper

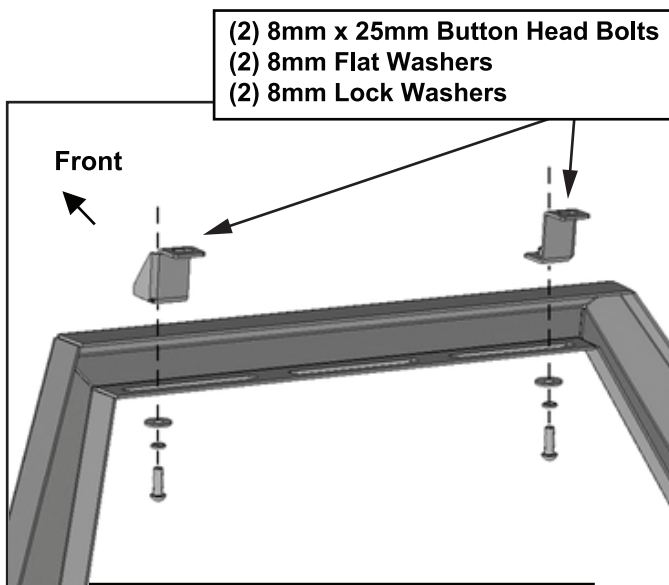


## STEP 12

**LED light installation on Bull Nose Hoop, (light not included).**

a. Select the Driver/Left Base Bracket, (Figure 13). Attach the Bracket to the slot in the back of the Hoop with the included 8mm x 25mm Button Head Bolt, 8mm Lock Washer and 8mm Flat Washer. Leave loose at this time.

**Driver/Left Side Installation Pictured**



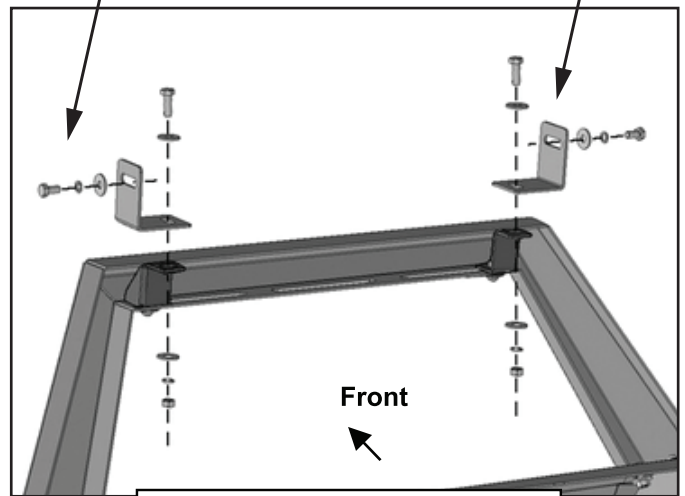
**(Fig 13) Attach Left and Right LED Base Brackets to back of Bull Nose Hoop**

b. Select (1) "L" Bracket. Attach the "L" Bracket to the top of the Base Bracket with (1) 8mm x 25mm Hex Bolt, (2) 8mm Flat Washers, (1) 8mm Lock Washer and (1) 8mm Hex Nut, (Figure 14). Do not fully tighten hardware at this time.

**Driver/Left Side Installation Pictured**

(2) 8mm x 16mm Hex Bolts  
(2) 8mm Lock Washers  
(2) 8mm Flat Washers

(2) 8mm x 25mm Hex Bolts  
(4) 8mm Flat Washers  
(2) 8mm Lock Washers  
(2) 8mm Hex Nuts



**(Fig 14) Attach LED "L" Mounting Brackets to Base Brackets**

c. Repeat the previous Steps to attach the passenger/right Base Bracket and "L" Bracket.

d. Attach Light (not included) to "L" Brackets with the included (2) 8mm x 16mm Hex Bolts, (2) 8mm Lock Washers and (2) 8mm Flat Washers. Adjust light position and tighten hardware.

e. Follow light manufacturer's instructions to properly wire the light.

## STEP 13

**LED light installation at ends of bumper (light not included).**

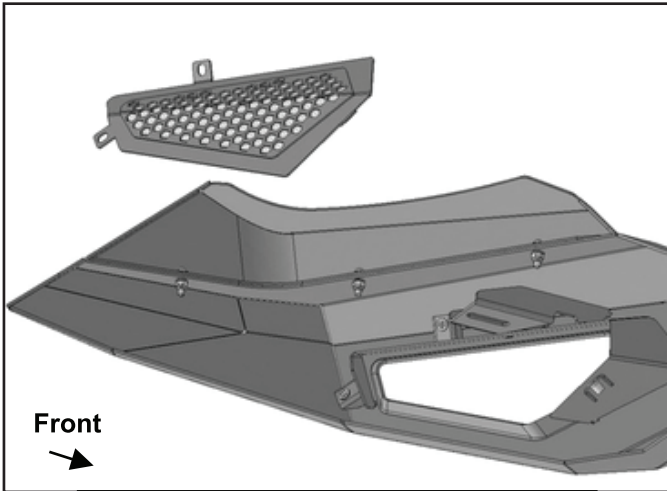
a. Remove the screen from the opening, (Figure 15).

b. Attach light, (not included), to mounting tab on back of Bumper.

**Driver/Left Side Installation Pictured**



# TYGER<sup>®</sup>



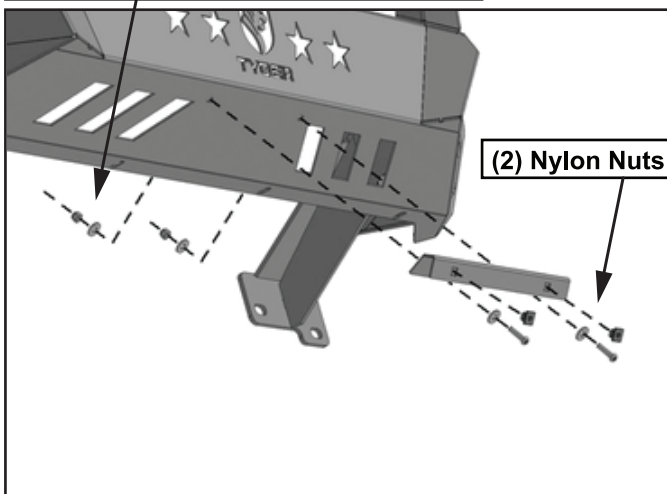
**(Fig 15) Remove screens if necessary for clearance/access to outer light mounts**

## STEP 14

If front license plate is required, attach the License Plate Bracket to the holes in the bumper with the included (2) 6mm Button Head Screws, (4) 6mm Flat Washers and (2) 6mm Nylon Lock Nuts, (Figure 16). Insert (2) Plastic Plugs into the square holes in the Bracket. Reuse the factory screws to attach the license plate to the plastic plugs, (Figure 16).

**Driver/Left Side Installation Pictured**

- (2) 6mm x 20mm Button Head Screws
- (4) 6mm Flat Washers
- (2) 6mm Nylon Lock Nuts



**(Fig 16) Attach License Plate Bracket to Bumper**

## STEP 15

Do periodic inspections to the installation to make sure that all hardware is secure and tight.



**Complete Installation  
(skid plate available separately)**

Learn more about off-road bumpers we have.