



TYGER®

FRONT BUMPER

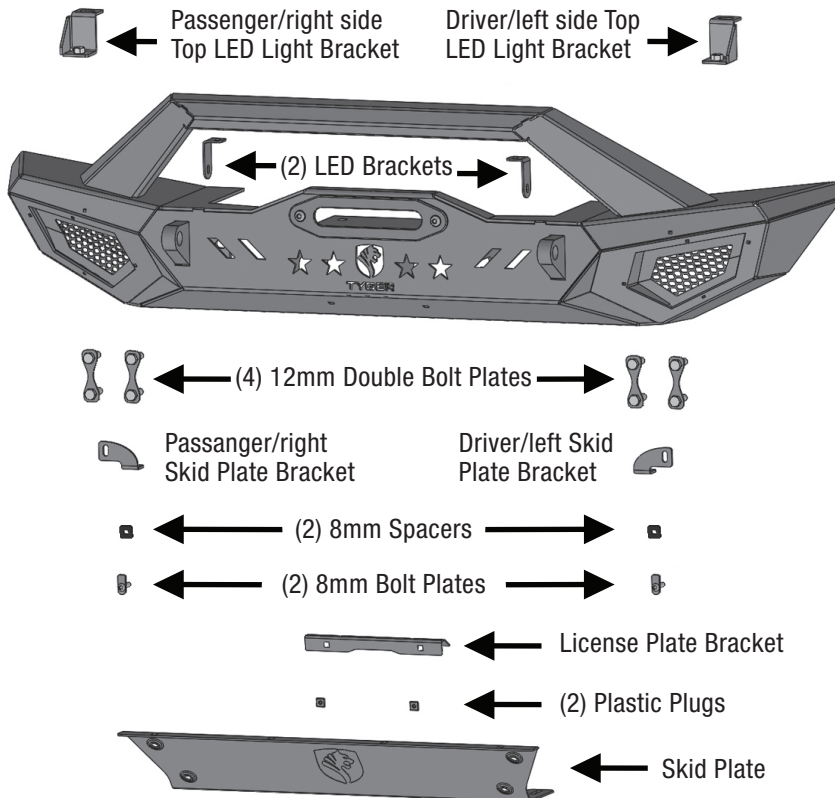
TG-BP6J80068

BEFORE INSTALLATION

READ INSTRUCTIONS CAREFULLY BEFORE STARTING INSTALLATION. REMOVE CONTENTS FROM BOX AND VERIFY ALL PARTS ARE PRESENT. FAILURE TO IDENTIFY DAMAGE BEFORE INSTALLATION COULD LEAD TO A REJECTION OF ANY CLAIM. IF MISSING PARTS OR ANY DAMAGE FOUND, PLEASE TAKE A PICTURE FOR THE CLAIM PURPOSE.

WARNING

TO PROTECT YOUR INVESTMENT, WAX THIS PRODUCT AFTER INSTALLING. REGULAR WAXING IS RECOMMENDED TO ADD A PROTECTIVE LAYER OVER THE FINISH. DO NOT USE ANY TYPE OF POLISH OR WAX THAT MAY CONTAIN ABRASIVES THAT COULD DAMAGE THE FINISH.



Parts List

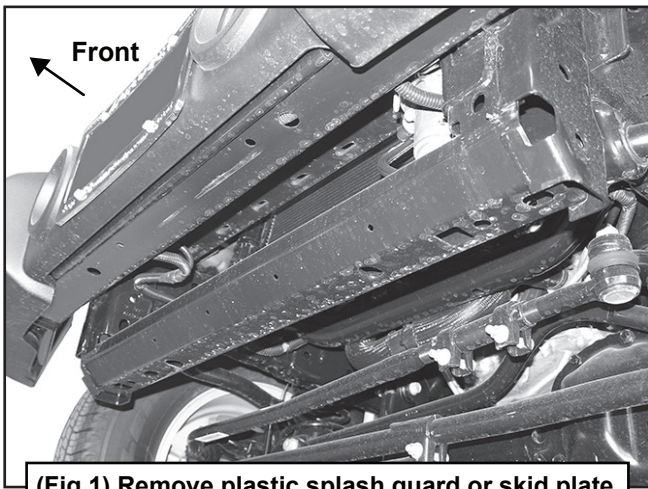
- x1 TYGER Front Bumper
- x1 Skid Plate
- x1 Driver/left side Skid Plate Bracket
- x1 Passenger/right side Skid Plate Bracket
- x2 LED Light Brackets
- x1 Driver/left side Top LED Light Bracket
- x1 Passenger/right side Top LED Light Bracket
- x1 License Plate Bracket
- x2 Plastic Plugs for License Plate
- x4 12mm x 40mm Double Bolt Plates
- x8 12mm Plastic Retainers
- x8 12mm x 37mm x 3mm Large Flat Washers
- x8 12mm Lock Washers
- x8 12-1.75mm Hex Nuts
- x2 8mm x 35mm Bolt Plates
- x6 8-1.25mm x 30mm Button Head Bolts
- x4 8-1.25mm x 25mm Button Head Bolts
- x2 8-1.25mm x 16mm Button Head Bolts
- x2 8mm (5mm Thick) Spacers
- x22 8mm x 22mm x 2mm Flat Washers
- x14 8mm Lock Washers
- x10 8-1.25mm Hex Nuts
- x2 6-1.0mm x 20mm Button Head Bolts
- x4 6mm x 18mm x 1.6mm Flat Washers
- x2 6mm Nylon Lock Nuts
- x1 S=5mm Allen Wrench (for 8mm Button Head Bolts)
- x1 S=4mm Allen Wrench (for 6mm Button Head Bolts)



NOTE: Assistance is recommended. Factory fog lights must be removed if equipped.

STEP 1

Start under the front bumper of the vehicle, remove the plastic lower splash guard or skid plate, (Fig 1).



(Fig 1) Remove plastic splash guard or skid plate from bottom of bumper

STEP 2

On models with factory fog lights, unplug wiring harness leading to the bumper before removing bumper.

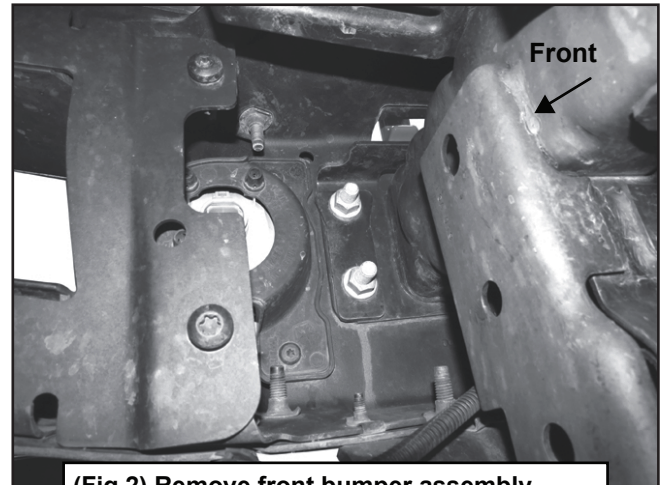
NOTE: Fog lights cannot be reinstalled.

STEP 3

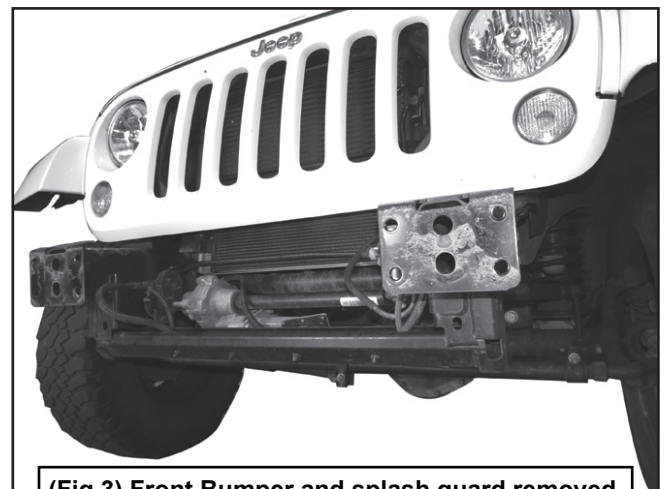
Remove the plastic fill panel attached to the top of the frame and behind the bumper.

STEP 4

With assistance, remove the front bumper hardware and bumper, (Figs 2-4). Move the factory bumper to a stable surface.



(Fig 2) Remove front bumper assembly (driver side JK outer bumper bolts pictured)



(Fig 3) Front Bumper and splash guard removed from 2007-18 JK model pictured



(Fig 4) Front Bumper and splash guard removed from 2018-on JL model pictured

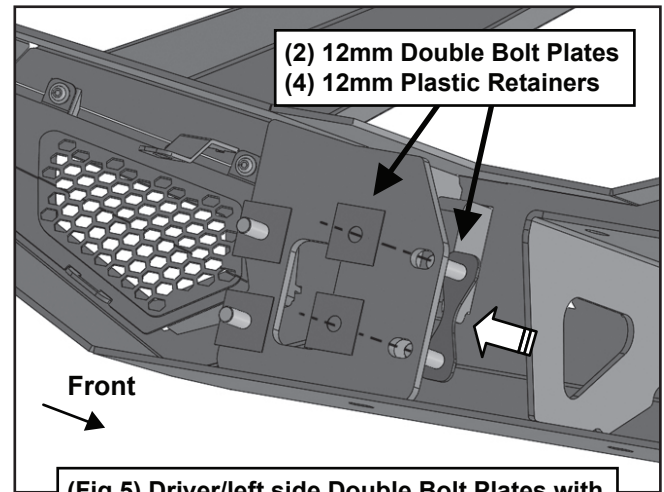


STEP 5

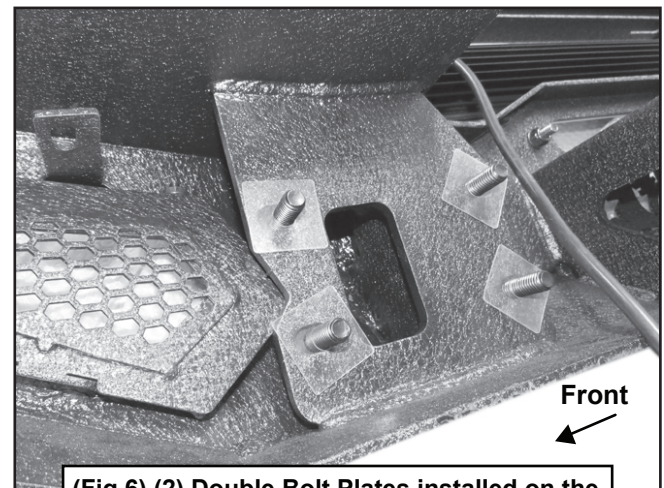
On **JL models**, remove steel bracket (for plastic splash guard) attached to the front of the frame.

STEP 6

Place the TYGER Front Bumper on a stable clean flat surface. Select (2) 12mm Double Bolt Plates and (4) 12mm Plastic Retainers. Insert the Bolt Plates behind the mounting plate on the back of the Bumper, (Fig 5). Thread the Plastic Retainers tight against the Bolt Plates to hold in place during Bumper installation, (Fig 6). Repeat Step for the other side of the Bumper.



(Fig 5) Driver/left side Double Bolt Plates with Plastic Retainers installed

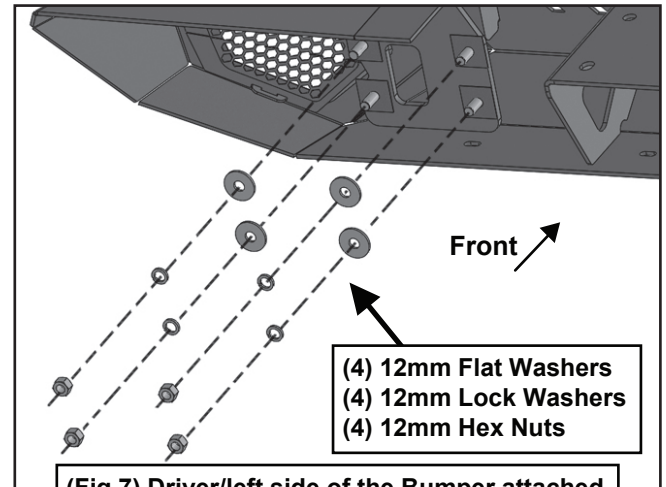


(Fig 6) (2) Double Bolt Plates installed on the driver/left side back of the Bumper

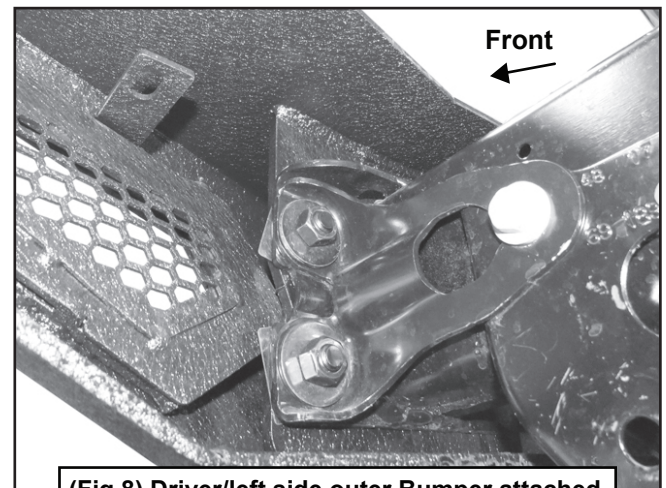


STEP 7

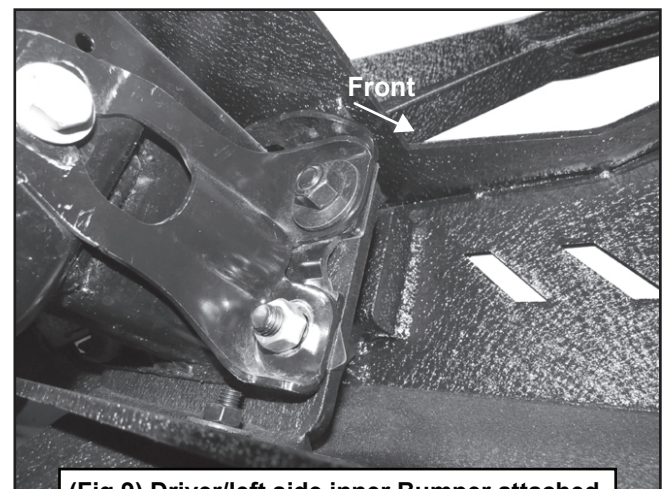
With assistance, hold the Bumper Assembly up to the frame and align the Double Bolt Plates to the mounting holes on the frame. Use (8) 12mm Flat Washers, (8) 12mm Lock Washers and (8) 12mm Hex Nuts to attach the Bolt Plates to the frame, (Figs 7-9). Do not fully tighten hardware at this time.



(Fig 7) Driver/left side of the Bumper attached to the frame



(Fig 8) Driver/left side outer Bumper attached to the frame for a JL



(Fig 9) Driver/left side inner Bumper attached to the frame for a JL



STEP 8

LED light bar installation, (LED light bar is not included).

a. Select (2) LED Light Brackets. Attach the Brackets to the top of the mounting tab on the back of the hoop of the Bumper with the included (2) 8mm x 25mm Button Head Bolts, (4) 8mm Flat Washers, (2) 8mm Lock Washers and (2) 8mm Hex Nuts, (Fig 10). Leave hardware loose.

NOTE: "L" Brackets are designed for 8mm light mounting hardware only. Modify "L" Brackets if necessary to install hardware larger than 8mm.

b. Next, attach the light bar, (not included), to the Brackets with the included (2) 8mm x 16mm Button Head Bolts, (2) 8mm Lock Washers and (2) 8mm Flat Washers, (Fig 11). Do not fully tighten hardware at this time.

c. Follow the light manufacturer's instructions to properly wire the lights to the electrical system.

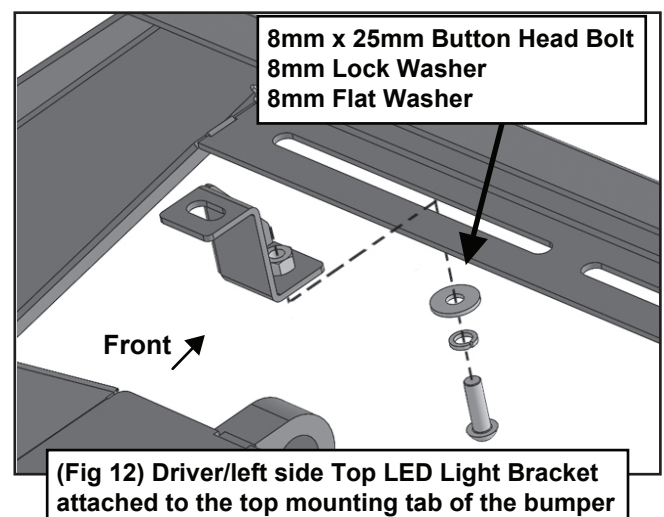
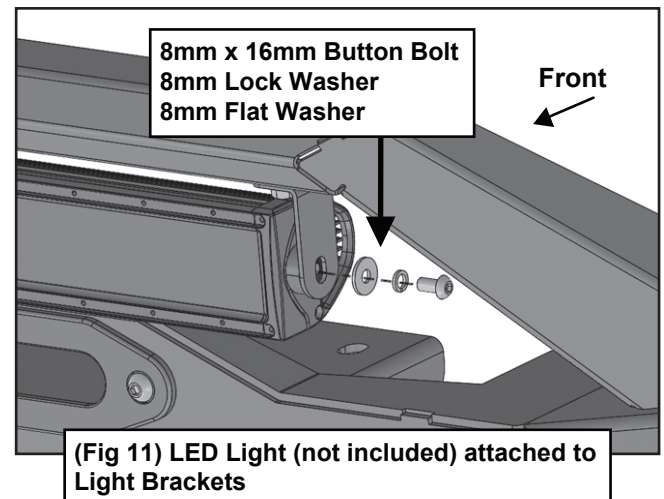
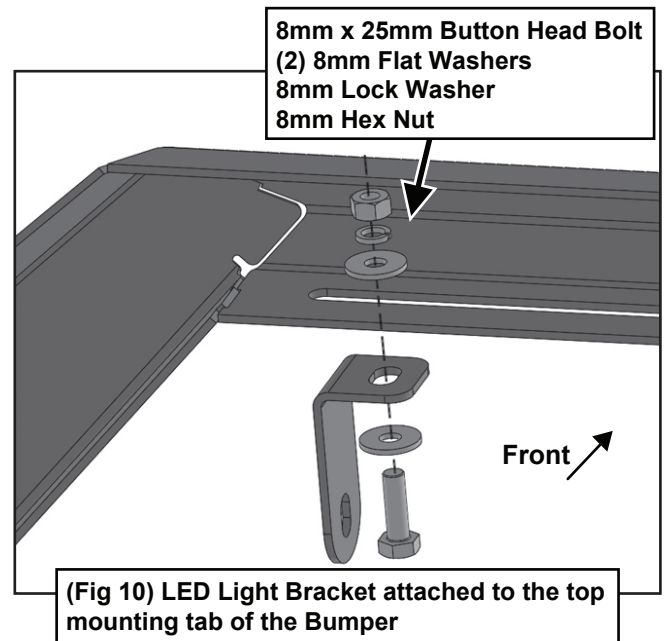
STEP 9

Top LED Light installation, (LED light bar is not included).

a. Select the Driver/left side Top LED Light Bracket. Attach the Bracket to the top mounting tab on the back of the hoop of the Bumper with the included (1) 8mm x 25mm Button Head Bolt, (1) 8mm Lock Washer and (1) 8mm Flat Washer, (Fig 12). Leave hardware loose.

b. Repeat above step to attach the passenger side Top LED Light Bracket to the back of the hoop.

c. Attach the LED Light, (not included), to the Brackets. Follow the light manufacturer's instructions to properly wire the lights to the vehicle's electrical system.



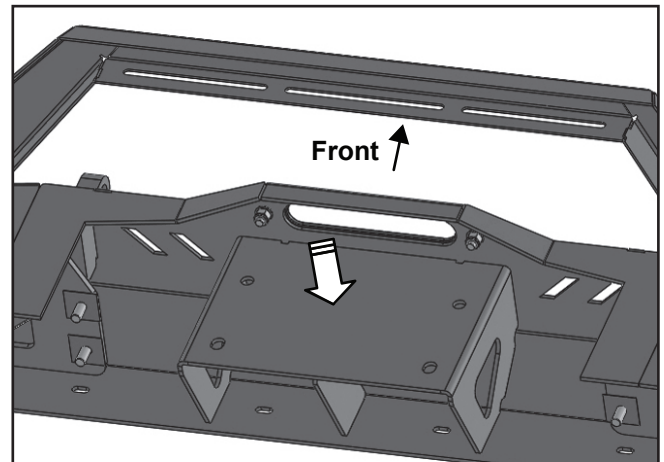


STEP 10

Winch Installation, (winch not included).

- Attach the winch to the top of the mounting plate behind the Bumper, (Fig 13).
- Follow the manufacturer's instructions to properly attach the winch to the top of the bumper and to connect the winch to the electrical system.

NOTE: As per winch instructions, never wind rope over top of the winch drum.

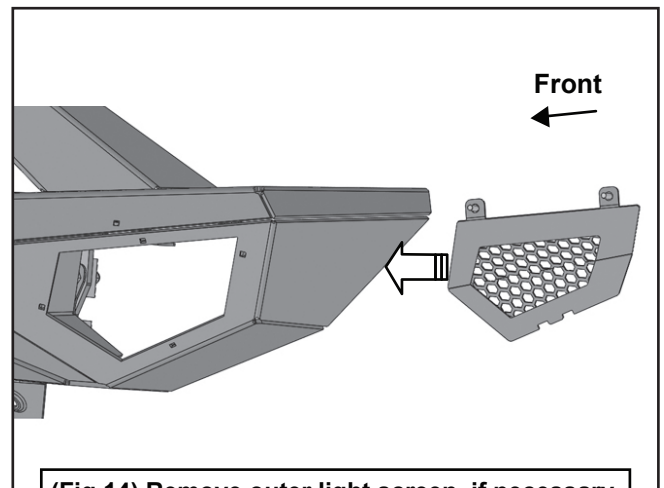


(Fig 13) Attach winch (not included) to the mounting plate on the back of the Bumper

STEP 11

LED light installation at ends of bumper, (LED light bar is not included).

- Insert light into opening and up to the mounting slot. Check for clearance between front and back of light. If necessary, remove the screen from the back of the opening, (Fig 14).
- Follow the light manufacturer's instructions to attach light to slot in the top of the light opening.
- Repeat the above Steps for passenger/right side light installation
- Follow light manufacturer's instructions to properly wire light to the vehicle's electrical system.



(Fig 14) Remove outer light screen, if necessary to adjust light in opening

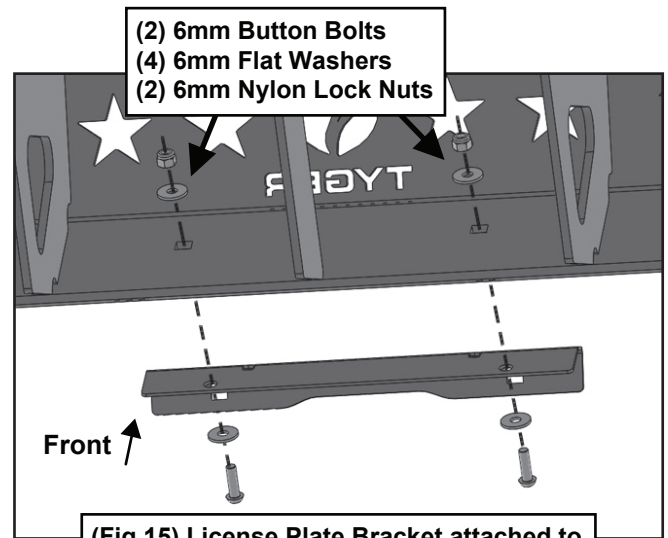


STEP 12

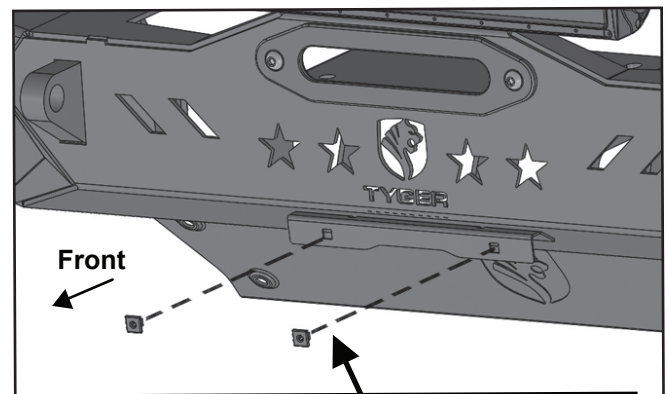
Select the License Plate Bracket. Attach the Bracket to the bottom of the bumper using (2) 6mm Button Head Bolts, (4) 6mm Flat Washers and (2) 6mm Nylon Lock Nuts, (Fig 15). Use the provided (2) Plastic Plugs to attach the License Plate to the front of the Bracket, (Fig 16).

STEP 13

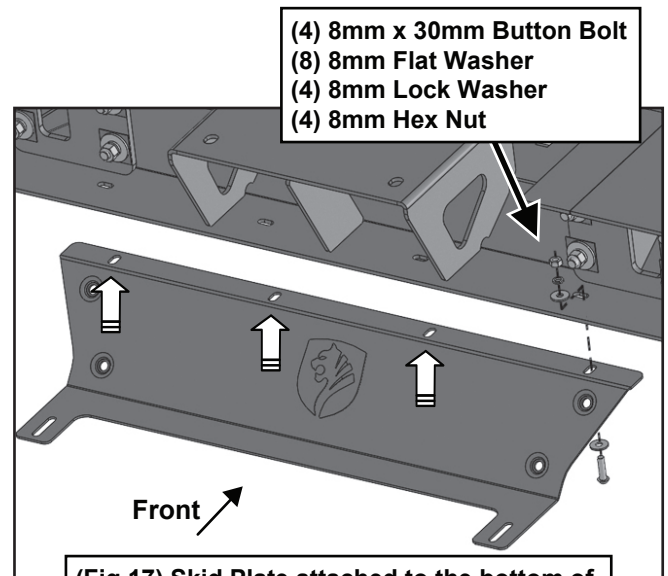
Next, select the Skid Plate. Attach the Skid Plate to the bottom of the Bumper using (4) 8mm x 30mm Button Head Bolts, (8) 8mm Flat Washers, (4) 8mm Lock Washers and (4) 8mm Hex Nuts, (Fig 17). Do not tighten hardware.



(Fig 15) License Plate Bracket attached to the bottom of the Bumper



(Fig 16) Attach License Plate using the provided (2) Plastic Plugs



(Fig 17) Skid Plate attached to the bottom of the Bumper



STEP 14

Select the Driver/left side Skid Plate Bracket. Determine the model of the vehicle.

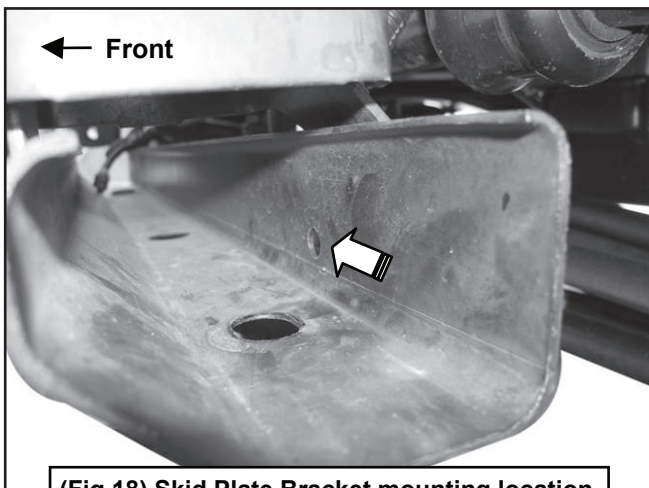
On JK Models:

- Locate the mounting location for the Bracket, (Figs 18-20).
- Insert (1) 8mm Bolt Plate in through the channel opening of the crossmember, through the rear hole and out the Bracket. Use (1) 8mm Flat Washer, (1) 8mm Lock Washer and (1) 8mm Hex Nut to secure the Bracket to the frame, (Fig 19).

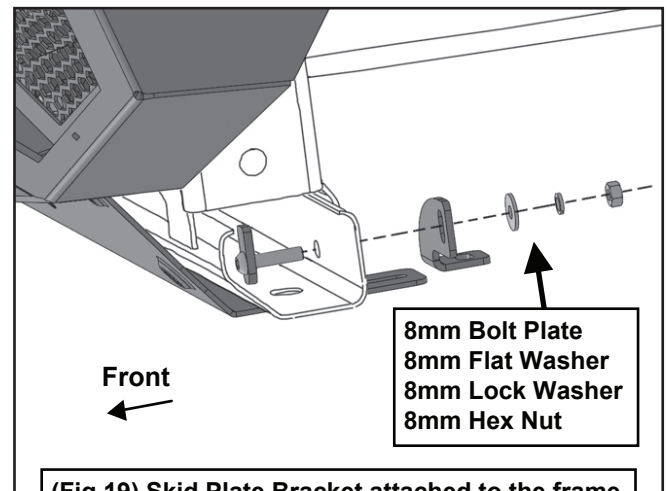
NOTE: On 07-09 JK models, insert Bolt Plate through the side of the crossmember opening, (Fig 18). On 10-18 JK models, insert Bolt Plate through the top opening of the crossmember, (Fig 20).

- Attach the other end of the Bracket to the top of the tab on the Skid Plate using (1) 8mm x 30mm Button Head Bolt, (2) 8mm Flat Washers, (1) 8mm Lock Washer and (1) 8mm Hex Nut, (Fig 21). Leave hardware loose.

- Repeat above Steps for the Passenger/right side Skid Plate Bracket installation.

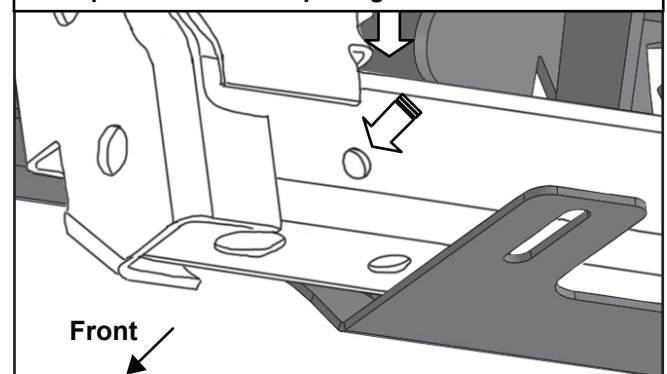


(Fig 18) Skid Plate Bracket mounting location (07-09 Wrangler JK: Driver/left side pictured)

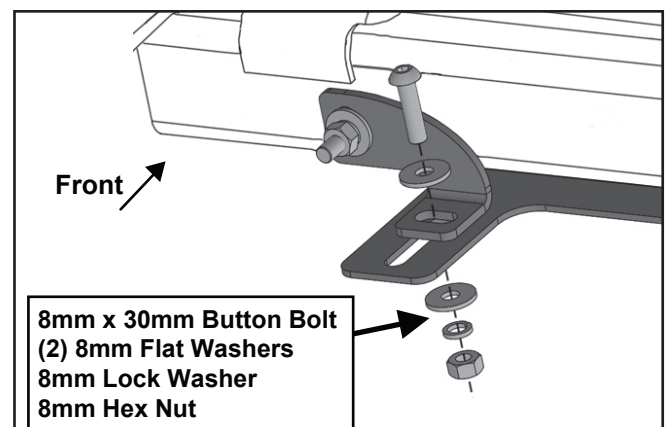


(Fig 19) Skid Plate Bracket attached to the frame (07-09 Wrangler JK: Driver/left side illustrated)

NOTE: On 10-18 JK models, insert Bolt Plate through the top of the channel opening and out the hole.



(Fig 20) 10-18 Wrangler JK driver/left side Skid Plate Bracket mounting location illustrated



(Fig 21) Driver/left side Skid Plate Bracket attached to the Skid Plate



TYGER[®]

On JL Models:

- a. Locate the rear hexagonal hole in the driver/left side frame, (Fig 22).
- b. Insert (1) 8mm Bolt Plate through the bottom of the frame opening, through the hexagonal hole and out the Bracket. Secure the Bracket to the frame using (1) 8mm Flat Washer, (1) 8mm Lock Washer and (1) 8mm Hex Nut, (Fig 22).
- c. Select (1) 8mm Spacer Washer. Place the Spacer Washer on top of the tab on the Skid Plate.
- d. Attach the other end of the Skid Plate Bracket to the top of the Spacer Washer and Skid Plate using (1) 8mm x 30mm Button Head Bolt, (2) 8mm Flat Washers, (1) 8mm Lock Washer and (1) 8mm Hex Nut, (Fig 23). Leave hardware loose.
- e. Repeat above Steps for the Passenger/right side Skid Plate Bracket installation.

Adjust Skid Plate as necessary and tighten skid plate hardware.

STEP 15

Stand back from the vehicle and check to see that the Bumper is centered and level on the vehicle and adjust as required. Once properly aligned, fully tighten all hardware.

STEP 16

Do periodic inspections of the installation to make sure that all hardware is secure and tight.

