



# FRONT BUMPER

TG-BP6J70078

## BEFORE INSTALLATION

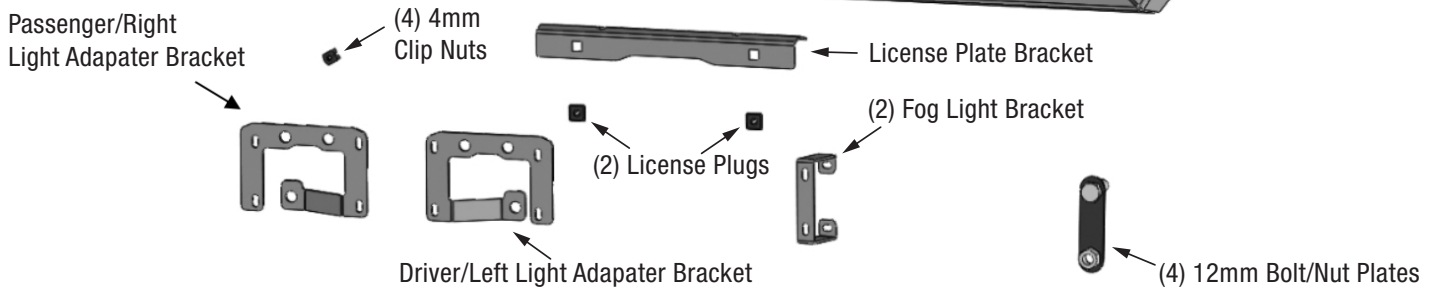
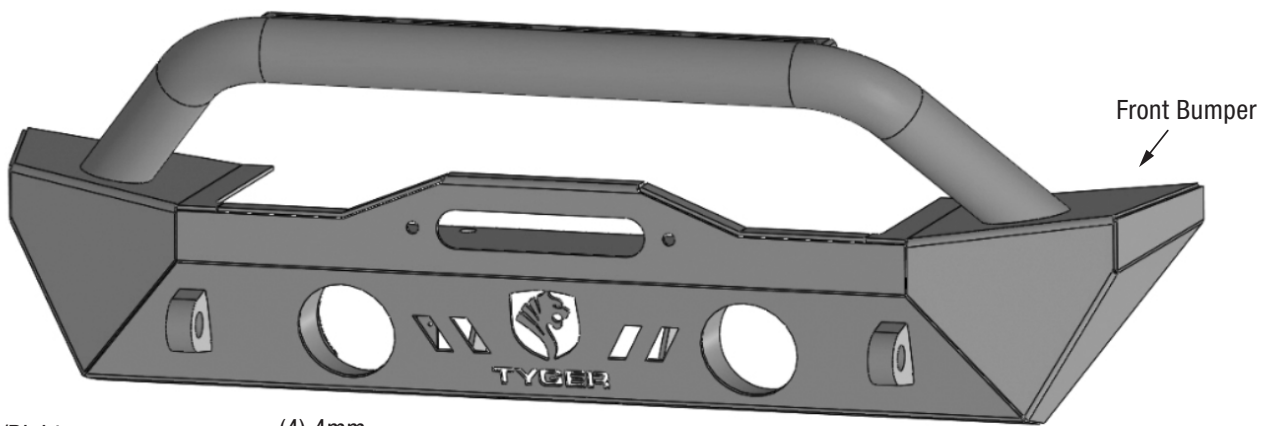
READ INSTRUCTIONS CAREFULLY BEFORE STARTING INSTALLATION. REMOVE CONTENTS FROM BOX AND VERIFY ALL PARTS ARE PRESENT. FAILURE TO IDENTIFY DAMAGE BEFORE INSTALLATION COULD LEAD TO A REJECTION OF ANY CLAIM.

## TORQUE VALUES

Fastener Size	Class 8.8 Torque (ft-lbs)	Class 10.9 Torque (ft-lbs)
6mm	6-7	6-7
8mm	15-16	22-23
10mm	31-32	44-45
12mm	54-55	78-79
14mm	87-88	125-126

## Parts List

- x1 Front Bumper
- x2 Fog Light Brackets
- x1 Driver/Left Fog Light Adapter Bracket
- x1 Passenger/Right Fog Light Adapter Bracket
- x1 License Plate Bracket
- x2 License Plate Plugs
- x4 12mm Bolt/Nut Plates
- x4 12-1.75mm x 30mm Hex Bolts
- x8 12mm x 37mm OD x 3mm Flat Washers
- x8 12mm Lock Washers
- x4 12mm Hex Nuts
- x4 12mm Plastic Retainers
- x2 6-1.0mm x 20mm Button Head Bolts
- x1 Driver/Left Fog Light Adapter Bracket
- x2 6mm Nylon Lock Nuts
- x12 4-.075mm x 15mm Button Head Bolts
- x16 4mm x 12mm OD x 1mm Flat Washers
- x12 4mm Lock Washers
- x4 4mm Hex Nuts
- x4 4mm Clip Nuts
- x1 4mm Hex Wrench
- x1 2.5mm Hex Wrench





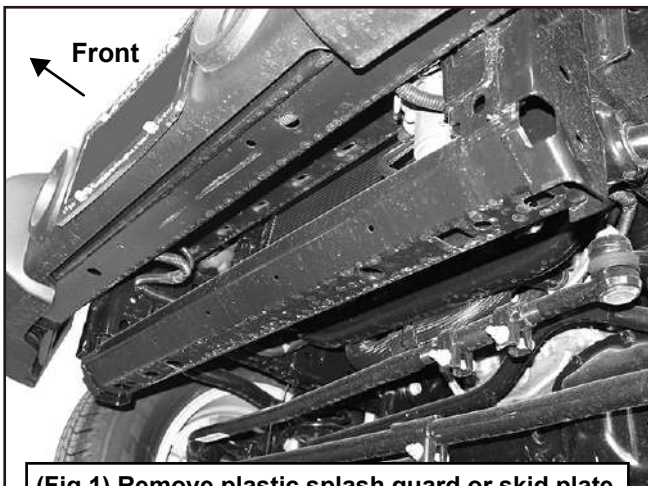
## PROCEDURE:

REMOVE CONTENTS FROM BOX. VERIFY ALL PARTS ARE PRESENT. READ INSTRUCTIONS CAREFULLY BEFORE STARTING INSTALLATION. CUTTING MAY BE REQUIRED. ASSISTANCE IS RECOMMENDED.

## STEP 1

Start under the front bumper of the vehicle and remove the plastic lower splash guard or steel skid plate (Fig 1).

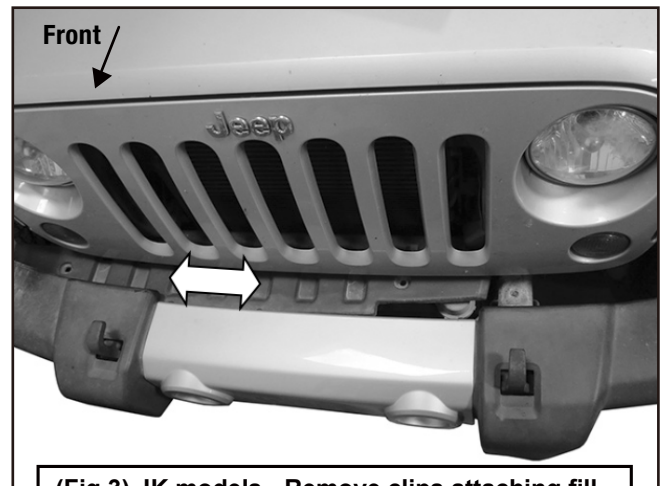
**NOTE:** Splash guard or skid plate cannot be reinstalled.



(Fig 1) Remove plastic splash guard or skid plate from bottom of bumper



(Fig 2) Remove front bumper assembly (driver side JK outer bumper bolts pictured)



(Fig 3) JK models - Remove clips attaching fill panel to top of frame. Slide panel left or right to access bumper bolts from above

## STEP 2

Unplug the fog light wiring harness leading to the bumper (Fig 2).

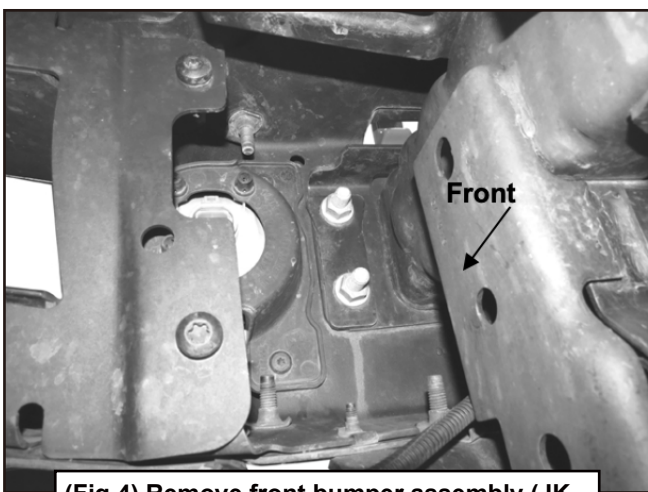
## STEP 3

On JK models, remove the clips fastening the plastic fill panel to the top of frame behind the bumper. Slide fill panel left or right to access bumper hardware from above (Fig 3). **NOTE:** All models' bumper mounting hardware will also be accessed from below.



## STEP 4

With assistance, remove the front bumper (Figs 4—7). Move the bumper to a stable surface. Remove the fog lights and wiring harness. Depending on model and year, bumper may need to be disassembled to remove fog lights and/or wire harness.



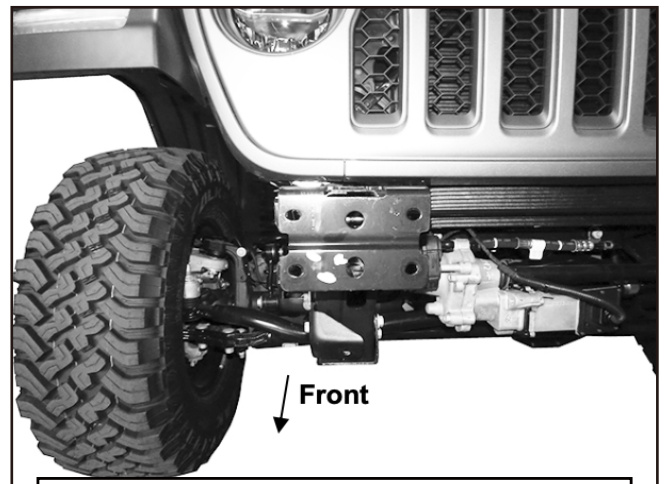
(Fig 4) Remove front bumper assembly (JK passenger side inner bumper bolts pictured)



(Fig 5) Front Bumper and splash guard removed from vehicle (07-18 JK pictured)



(Fig 6) Remove front bumper and splash guard or skid plate (2018-on JL pictured)



(Fig 7) Front Bumper and splash guard removed (2020 Gladiator JT shown)



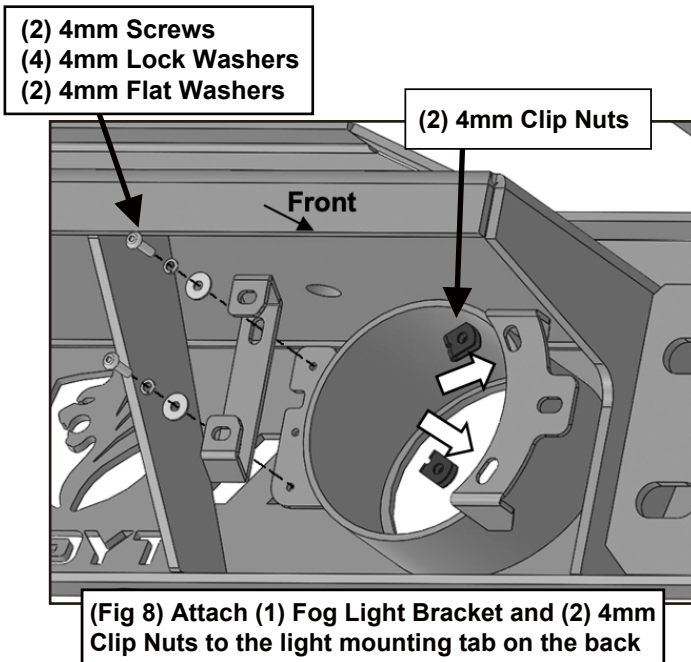
## STEP 5

Factory fog lights Installation— first determine fog light design of your model (3 variations):

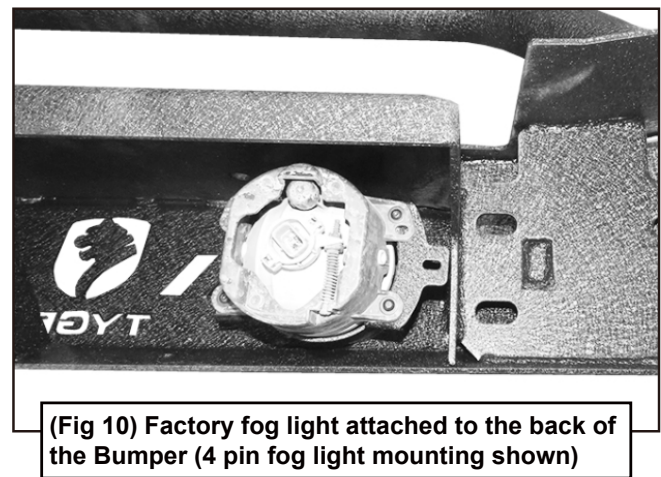
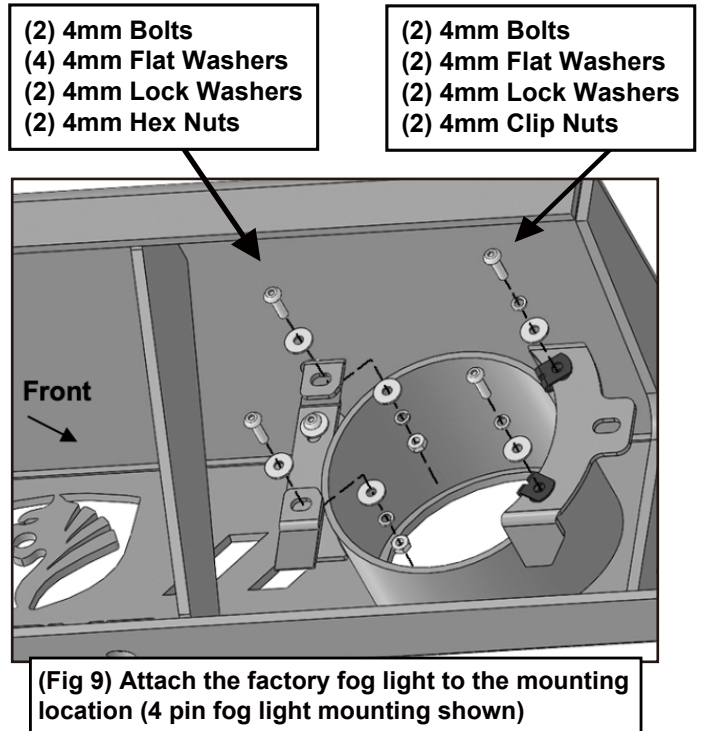
### A. 4-tab “JK” and “JL” standard fog light:

**a-1.** Select (1) Fog Light Bracket. Attach the Bracket to the inner mounting plate on the back of the right side of the Bumper with (2) 4mm Button Head bolts, (2) 4mm Lock Washers and (2) 4mm Flat Washers (Fig 8).

**a-2.** Select (2) 4mm Clip Nuts. Attach the Clip Nuts to the outer mounting plate on the back of the right side of the Bumper (Fig 8).



**a-3.** Attach the Passenger/Right fog light assembly to the Mounting Bracket with (2) 4mm Button Head Bolts, (4) 4mm Flat Washers, (2) 4mm Lock Washers and (2) 4mm Hex Nuts (Figs 9 & 10). **IMPORTANT:** DO NOT overtighten fog light hardware or damage to the fog light may result.



**a-4.** Attach the Passenger/Right fog light assembly to the (2) 4mm Clip Nuts with (2) 4mm Button Head Bolts, (2) 4mm Lock Washers and (2) 4mm Flat Washers (Figs 9 & 10).

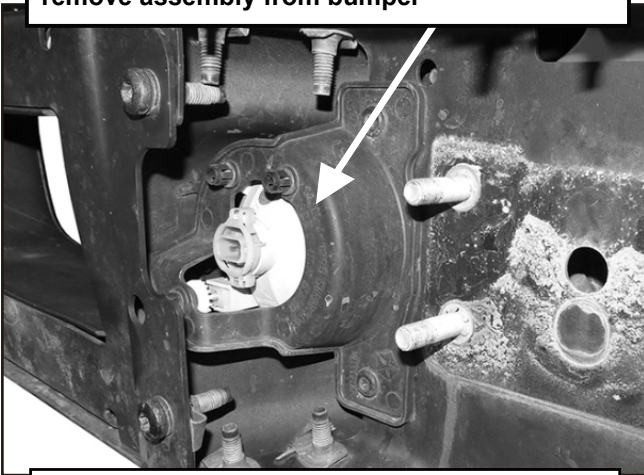
**a-5.** Repeat previous STEPS to attach the Driver/Left fog light.



## B. 2-tab 2013-17 "JK" Halogen Fog Light supplied with Mopar Option steel bumper:

**b-1.** Remove the plastic light assembly from the OE bumper (Fig 11).

2013-17 JK models with steel Mopar option bumper and 2-tab, halogen fog light assembly, remove assembly from bumper



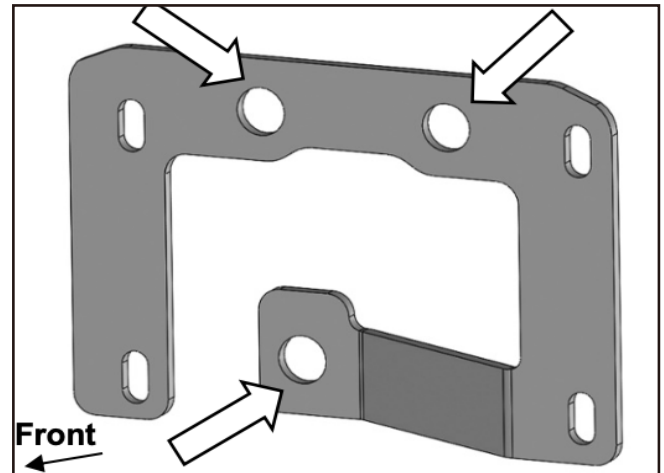
(Fig 11) 2013-17 JK models with steel Mopar option bumper (passenger/right side pictured)

**b-2.** Remove the bulb assembly from the plastic bracket (Fig 12).



(Fig 12) Remove the fog light bulb from the plastic bracket assembly (see Fig 11)

**b-3.** Select the Passenger/Right Adapter Bracket. Insert the (3) posts on the back of the fog light bulb into the Adapter Bracket (Fig 13).



(Fig 13) Attach Passenger/Right 3 post factory fog light to the Passenger/Right Light Adapter Bracket

**b-4.** Next, select (1) Fog Light Bracket, (Figure 12). Attach the Fog Light Bracket to the mounting tab with (2) 4mm Button Head Bolts, (2) 4mm Lock Washers and (2) 4mm Flat Washers (Fig 8).

**b-5.** Select (2) 4mm Clip Nuts. Attach the Clip Nuts to the outer mounting plate on the back of the right side of the Bumper (Fig 8).

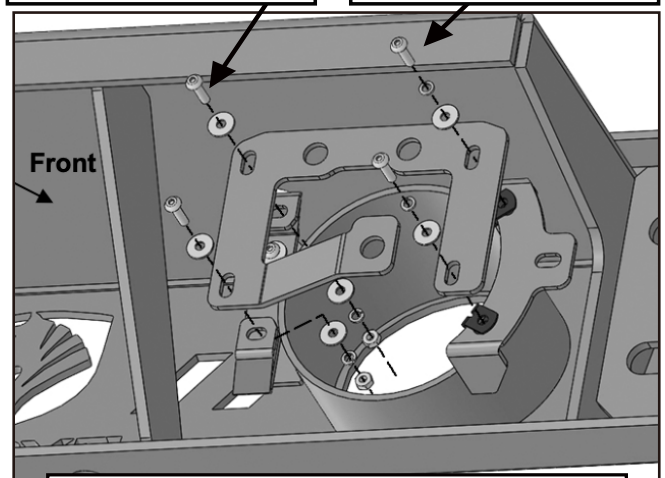
**b-6.** Attach the Adapter Bracket to the Fog Light Bracket with (2) 4mm Button Head Bolts, (4) 4mm Flat Washers, (2) 4mm Lock Washers and (2) 4mm Hex Nuts (Fig 14).

### b-6

(2) 4mm Bolts  
(4) 4mm Lock Washers  
(2) 4mm Flat Washers  
(2) 4mm Hex Nuts

### b-7

(2) 4mm Bolts  
(2) 4mm Lock Washers  
(2) 4mm Flat Washers  
(2) 4mm Clip Nuts



(Fig 14) Attach the factory fog light assembly to the Passenger/Right mounting location (3 post fog light mounting shown)

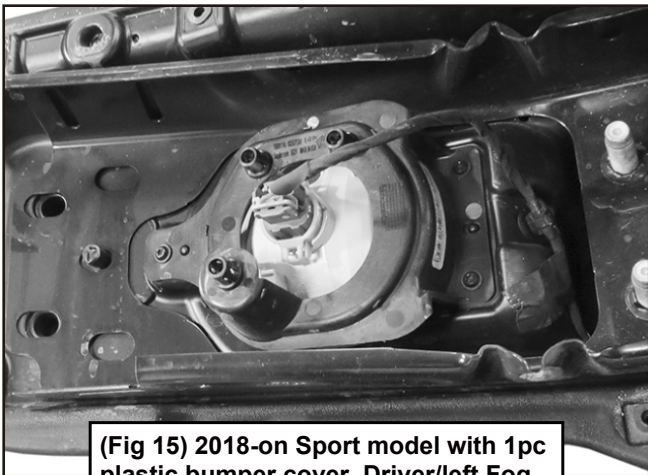


**b-7.** Attach the Adapter Bracket to the mounting plate on the back of the Bumper with (2) 4mm Button Head Bolts, (2) 4mm Lock Washers and (2) 4mm Flat Washers (Fig 14).

**b-8.** Repeat previous STEPS to attach the Driver/Left fog light.

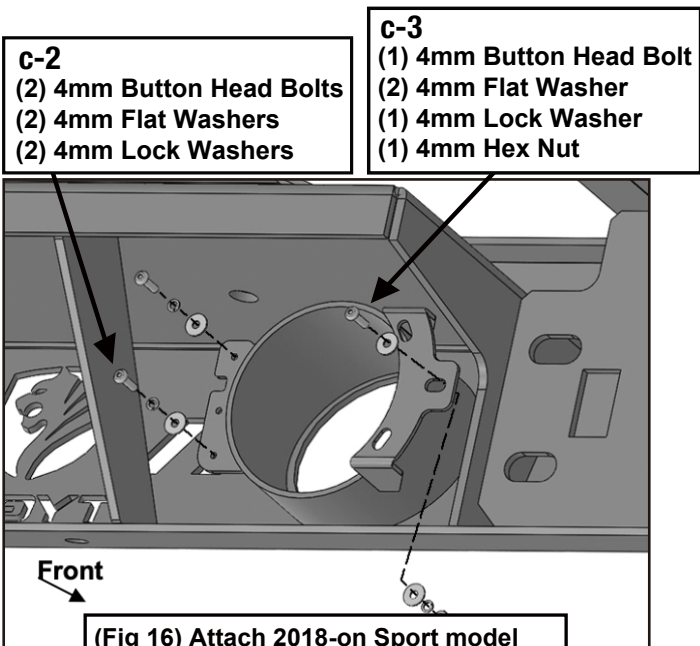
### C. 3-screw 2018-on “JL” Sport with 1pc plastic outer bumper cover & halogen fog light:

**c-1.** Remove the driver/left fog light assembly (Fig 15).



(Fig 15) 2018-on Sport model with 1pc plastic bumper cover. Driver/left Fog light assembly pictured

**c-2.** Attach the Passenger/Right fog light assembly to the inner mounting tab with (2) 4mm Button Head Bolts, (2) 4mm Lock Washers and (2) 4mm Flat Washers (Fig 16).



(Fig 16) Attach 2018-on Sport model fog light assembly to mounting plates, no adapters required. Passenger/Right Bumper illustrated

**c-3.** Attach the fog light to the outer mounting tab with (1) 4mm Button Head Bolt, (2) 4mm Flat Washers, (1) 4mm Lock Washer and (1) 4mm Hex nut (Fig 16).

**IMPORTANT:** DO NOT overtighten fog light hardware or damage to the fog light may result. **NOTE:** No Adapter Brackets required.

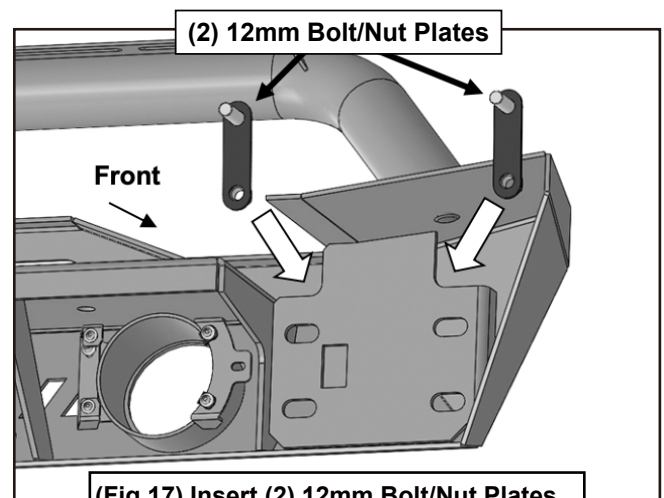
**c-4.** Repeat previous STEPS to attach the Driver/Left fog light.

## STEP 6

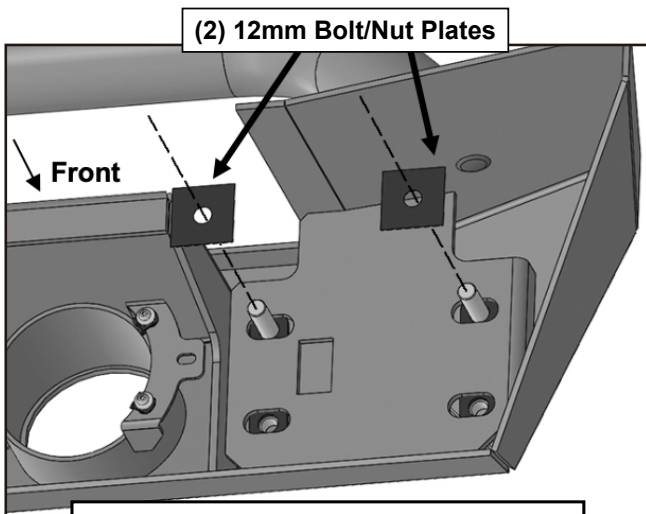
Install factory fog light wiring harness into back of Bumper.

## STEP 7

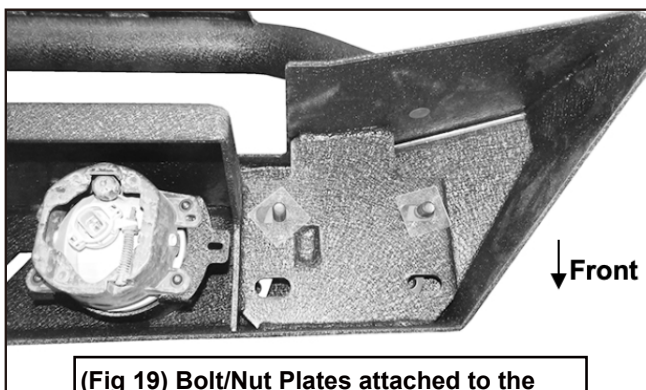
Select (2) 12mm Bolt/Nut Plates. Insert the Plates into the slots in the Passenger/Right mounting plate on the back of the Bumper. Thread (2) 12mm Plastic Retainers onto the Plate to hold it in place (Figs 17—19). Repeat this STEP to attach (2) 12mm Bolt/Nut Plates to the Driver/Left mounting plate.



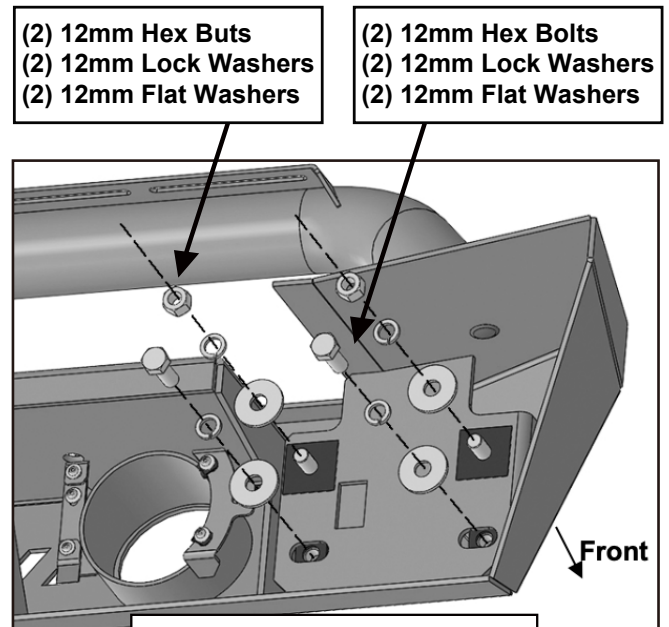
(Fig 17) Insert (2) 12mm Bolt/Nut Plates into the Passenger/Right mounting plate



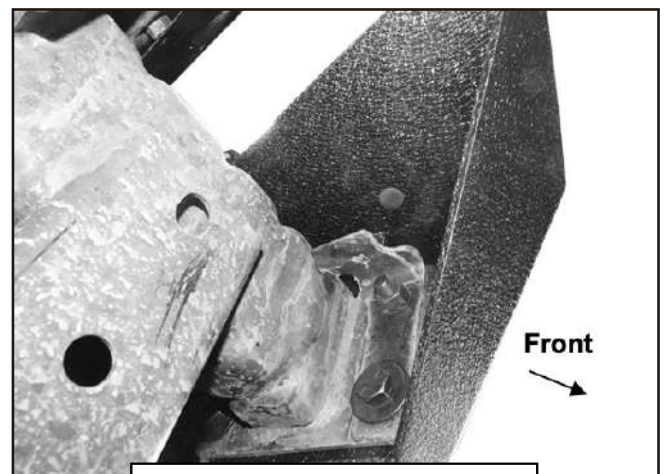
(Fig 18) Thread (2) 12mm Plastic Retainers onto the (2) 12mm Bolt/Nut Plates to hold them in place



(Fig 19) Bolt/Nut Plates attached to the mounting plate on the back of the Bumper



(Fig 20) Attach the Bumper to the Passenger/Right Mounting Plate



(Fig 21) Bumper attached to the Passenger/Right mounting plate

## STEP 8

With assistance, hold the Bumper Assembly up to the frame and align the Bolt/Nut Plates to the mounting holes on the frame. Using block or jack stands to temporarily support the weight of the Bumper.

**WARNING:** To avoid possible injury or damage to the vehicle, DO NOT proceed until the Bumper is fully and safely supported.

Start with the passenger side. Attach the Bolt/Nut Plates to the end of the frame with (2) 12mm Hex Bolts, (4) 12mm Lock Washers, (4) 12mm Flat Washers and (2) 12mm Hex Nuts (Figs 20 & 21). DO NOT fully tighten hardware at this time.

**NOTE:** Do the same procedure to the other side.



# TYGER<sup>®</sup>

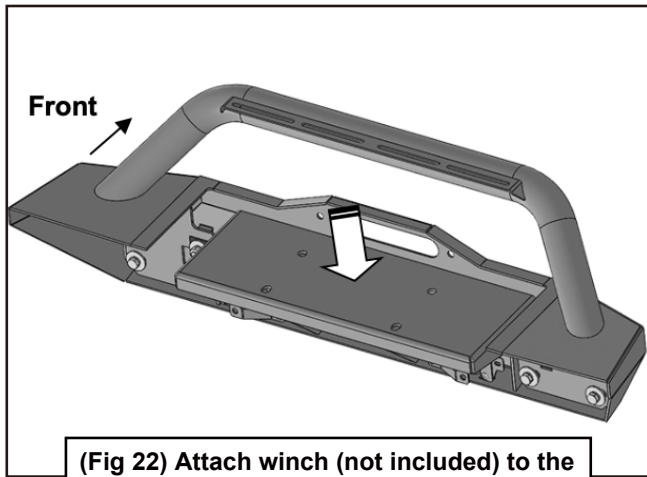
## STEP 9

### Winch Installation, (winch not included).

a. Attach the winch to the top of the mounting plate on top of the Bumper (Fig 22).

b. Follow the manufacturer's instructions to properly attach the winch to the top of the bumper and to connect the winch to the electrical system.

**NOTE:** As per winch instructions, never wind rope over top of the winch drum.



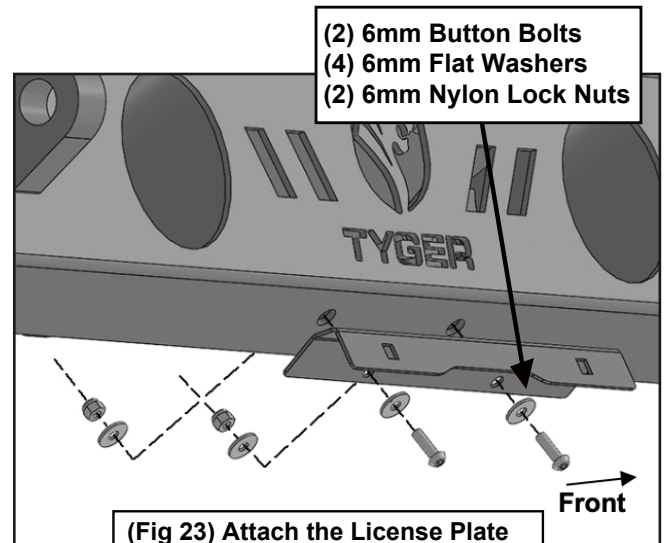
(Fig 22) Attach winch (not included) to the mounting plate on the back of the Bumper

## STEP 10

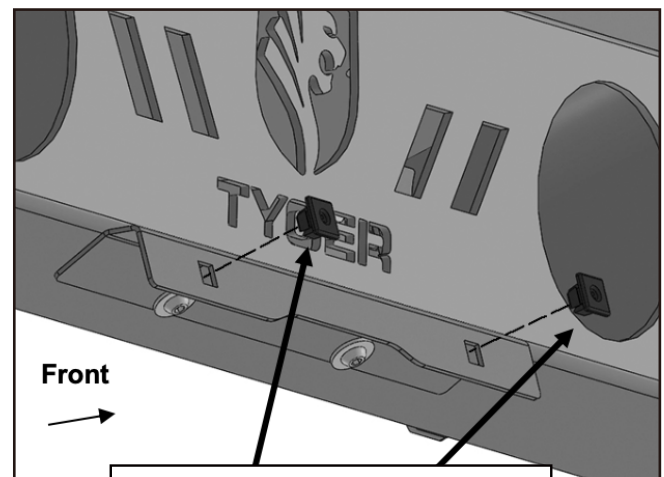
Level and adjust the Bumper as required. Once properly aligned, fully tighten all hardware.

## STEP 11

Select the License Plate Bracket. Attach the Bracket to the bottom of the bumper using (2) 6mm Button Bolts, (4) 6mm Flat Washers and (2) 6mm Nylon Lock Nuts (Fig 23). Use the provided (2) Plastic Plugs to attach the License Plate to the front of the Bracket (Fig 24).



(Fig 23) Attach the License Plate Bracket to the front of the Bumper



(Fig 24) Insert the (2) License Plate Plugs into the License Plate Bracket

## STEP 12

Reattach the wiring harness to the fog lights. Reinstall electric sway bar if equipped.

## STEP 13

Do periodic inspections of the installation to make sure that all hardware is secure and tight.