



TYGER®

FRONT BUMPER

TG-BP6C80468

BEFORE INSTALLATION

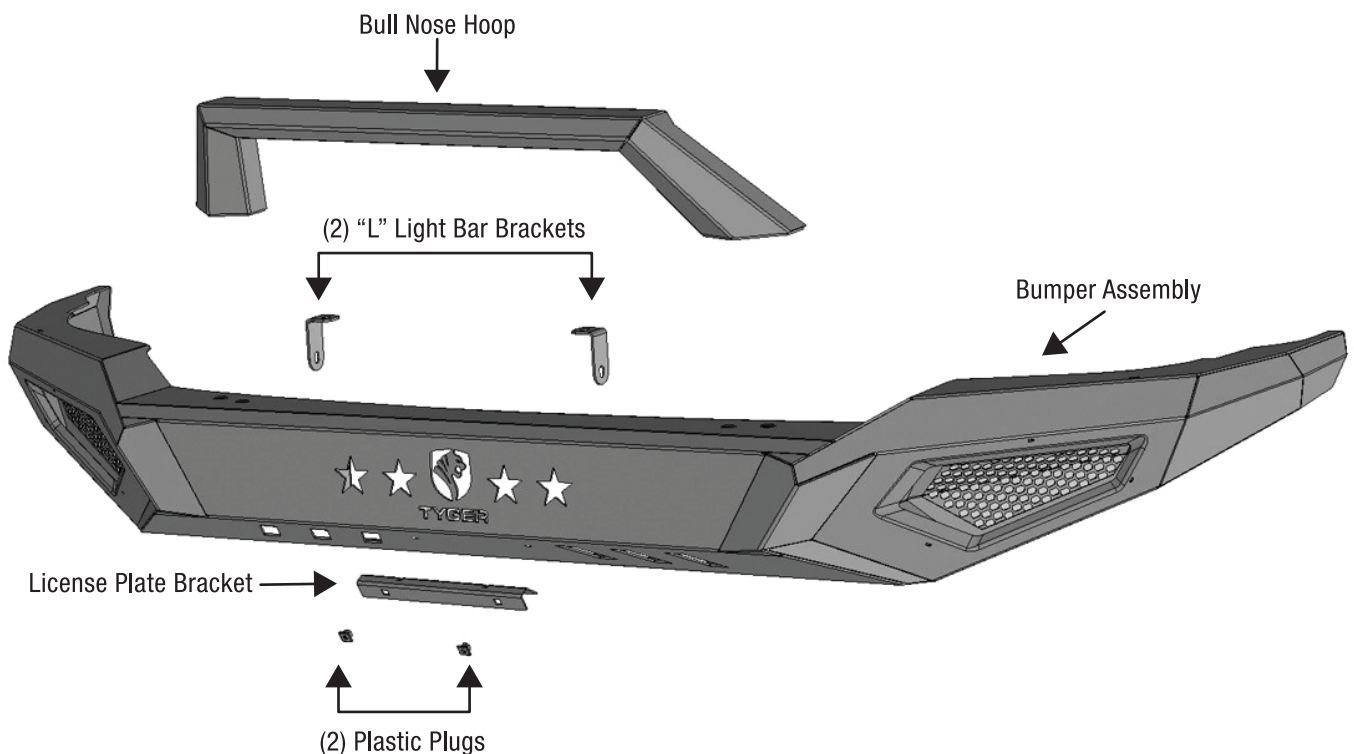
READ INSTRUCTIONS CAREFULLY BEFORE STARTING INSTALLATION. REMOVE CONTENTS FROM BOX AND VERIFY ALL PARTS ARE PRESENT. FAILURE TO IDENTIFY DAMAGE BEFORE INSTALLATION COULD LEAD TO A REJECTION OF ANY CLAIM. IF MISSING PARTS OR ANY DAMAGE FOUND, PLEASE TAKE A PICTURE FOR THE CLAIM PURPOSE.

TORQUE VALUES

Fastener Size	Class 8.8 Torque (ft-lbs)	Class 10.9 Torque (ft-lbs)
6mm	6-7	6-7
8mm	15-16	22-23
10mm	31-32	44-45
12mm	54-55	78-79
14mm	87-88	125-126

Parts List

- x1 TYGER Front Bumper Assembly
- x1 Bumper Hoop
- x2 "L" LED Light Bar Brackets
- x1 License Plate Bracket
- x2 Plastic Plugs for License Plate
- x6 8mm x 25mm Button Head Bolts
- x2 8mm x 16mm Hex Bolts
- x14 8mm x 24mm x 2mm Flat Washers
- x8 8mm Lock Washer
- x6 8mm Hex Nut
- x2 6mm x 20mm Button Head Bolts
- x4 6mm x 18mm x 1.6 Flat Washers
- x2 6mm Nylon Lock Nuts
- x1 4mm Wrench





TYGER[®]

PROCEDURE:

READ INSTRUCTIONS CAREFULLY BEFORE STARTING INSTALLATION. ASSISTANCE IS RECOMMENDED TO AVOID POSSIBLE INJURY OR DAMAGE TO THE VEHICLE.

STEP 1

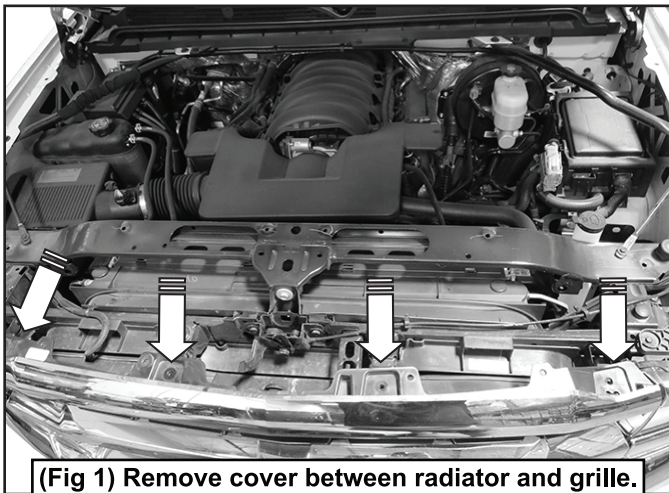
Remove the license plate and bracket. On models with factory fog lights and/or bumper sensors, unplug the wiring harness leading to the bumper. Move harness away from bumper.

STEP 2

Open the hood and remove the plastic cover between the top of the radiator and the grille, (Figure 1). Next, carefully remove the grille from the vehicle.

NOTE: Grille is held in place with screws at the top and several clips, (Figure 1). Remove the screws and firmly pull the grille straight out from the vehicle to release the grille from the clips, (Figures 2 & 3).

WARNING! Do not crawl under bumper unless the bumper is properly supported on blocks or stands or the bumper may fall.

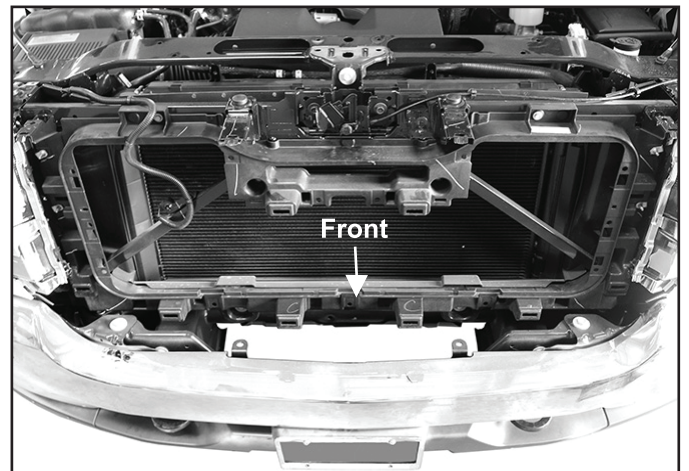


(Fig 1) Remove cover between radiator and grille. Remove screws attaching top of grille (arrows)

Driver/left Side Installation Pictured



(Fig 2) Firmly pull grille straight out from vehicle



(Fig 3) Grille removed to access top bumper bolts

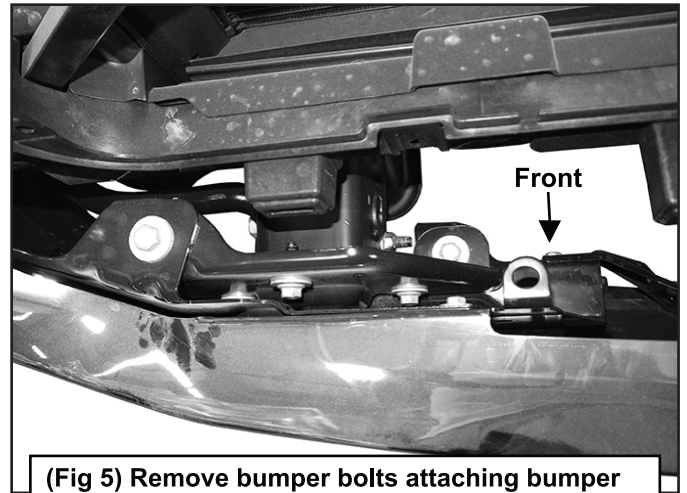
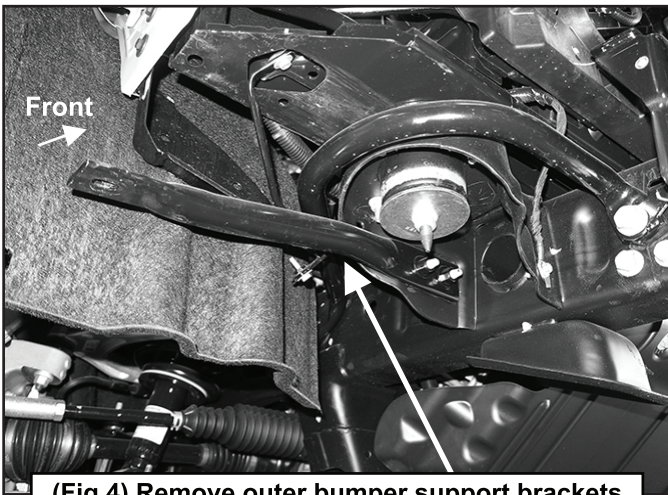


TYGER[®]

STEP 3

Remove the outer bumper supports leading from the outside of the frame to the ends of the bumper, (Figure 4).

Passenger/Right Side Installation Pictured



STEP 5

Once bumper has been removed, reinstall the plastic grille and cover removed in **STEP 2**.

STEP 6

Remove both bumper brackets from the end of the frame, (Figures 6—8).

NOTE: Do not remove the tow hooks if equipped, (Figure 7).

WARNING! Do not crawl under bumper unless the bumper is properly supported on blocks or stands or the bumper may fall.

STEP 4

Place blocks or jack stands under the front bumper to support it during mounting bolt removal. Once the bumper has been safely supported, remove the bumper bolts attaching the bumper assembly to the frame bracket bolted to the end of the frame, (Figure 5).

WARNING! Assistance is required to hold the bumper in place during bolt removal to prevent the bumper from falling. Carefully slide the bumper assembly off of the ends of the frame.

Do not crawl under bumper unless the bumper is properly supported on blocks or stands or the bumper may fall.

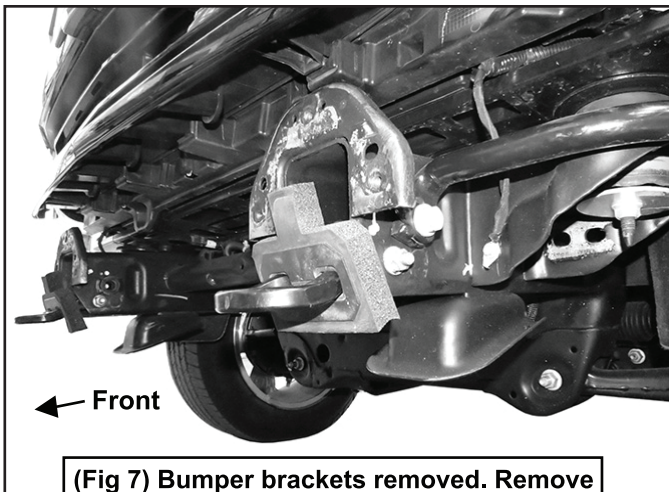


TYGER[®]

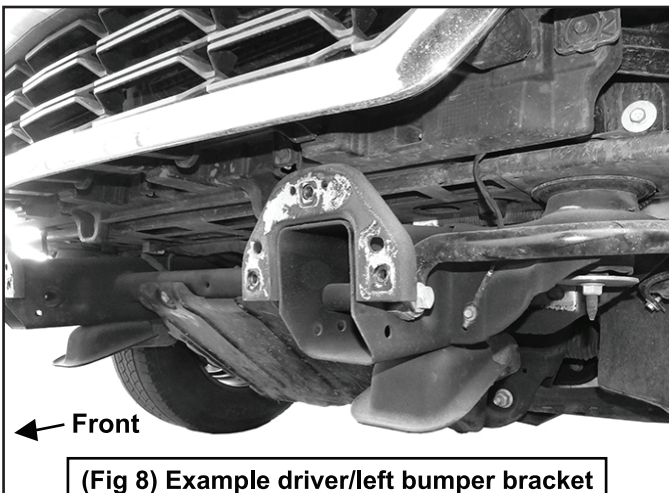


(Fig 6) Remove factory bumper brackets (Arrow)

Driver/left Side Installation Pictured



(Fig 7) Bumper brackets removed. Remove seal around tow hooks if equipped



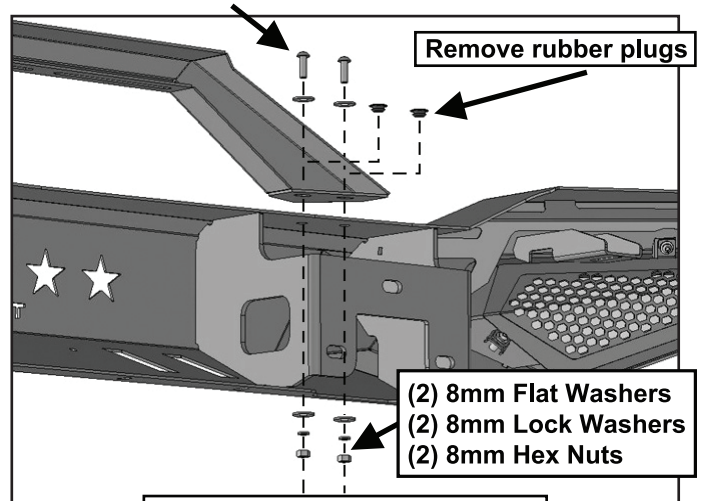
(Fig 8) Example driver/left bumper bracket removed on model without tow hooks

STEP 7

Carefully unwrap the Bumper assembly. Select the Bumper Hoop. Remove the rubber plugs from the top of the bumper. Attach the Hoop to the top of the bumper with (4) 8mm x 25mm Button Head Bolts, (8) 8mm Flat Washers, (4) 8mm Lock Washers and (4) 8mm Hex Nuts, (Figure 9).

NOTE: Hoop Installation is optional.

(2) 8mm x 25mm Button Head Bolts
(2) 8mm Flat Washers



(Fig 9) Remove rubber plugs to attach Hoop to top of Bumper

STEP 8

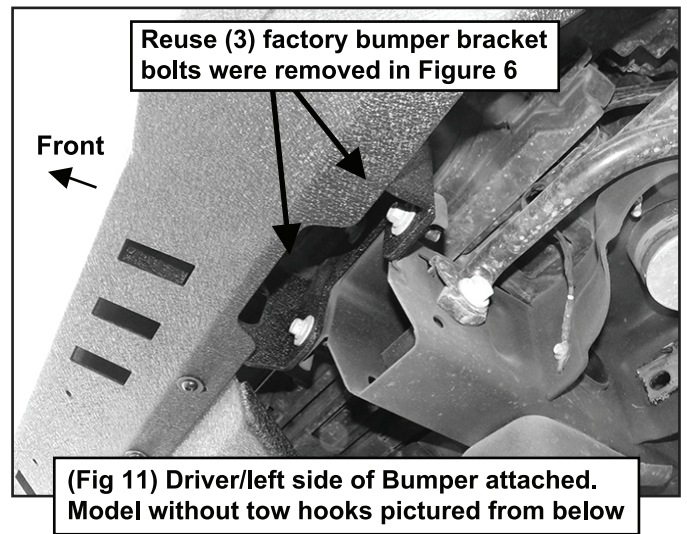
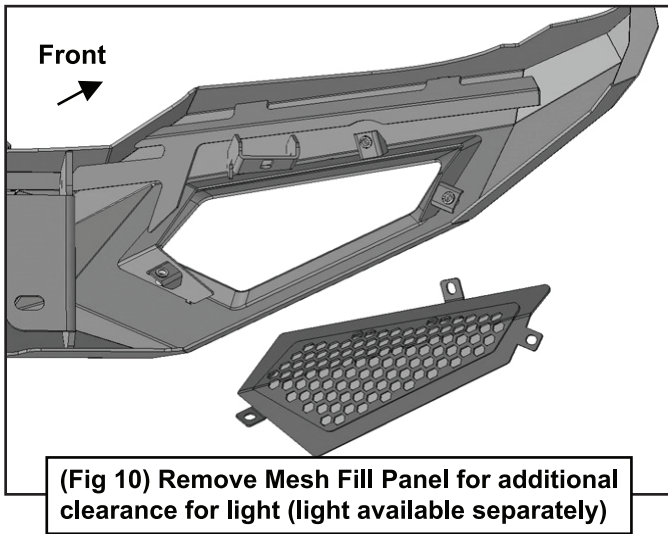
Determine if outer accessory lights, (not included), will be installed at this time.

Outer LED cube style light installation (light not included).

- Remove the hardware attaching the outer mesh fill panels to the Bumper, (Figure 10).
- Attach lights to the mounting tabs at the outer-ends of the Bumper, (Figure 10).
- Follow the light manufacturer's instruction to properly wire lights once Bumper is installed.



TYGER[®]



STEP 9

With assistance, position the Bumper Assembly up to the ends of the frame. Temporarily support the weight of the Bumper.

WARNING: To avoid possible injury or damage to the vehicle, do not proceed until the Bumper is fully and safely supported.

STEP 10

Line up the (2) upper slots in the driver/left side mounting plate on the back of the Bumper with the mounting holes in the end of the frame. Reuse the factory bolts to attach the Bumper to the plate, (Figure 11).

NOTE: Repeat this Step to attach the passenger/right side of the Bumper to the frame.

WARNING! Do not crawl under bumper unless the bumper is properly supported on blocks or stands or the bumper may fall.

STEP 11

Level and adjust the bumper and fully tighten all hardware.

STEP 12

Top Hoop mounted bar style LED light installation (light not included).

Select (1) "L" Light Bracket. Attach the Bracket to the bottom of the Hoop with (1) 8mm x 25mm Button Head Bolt, (2) 8mm Flat Washers, (1) 8mm Lock Washer and (1) 8mm Hex Nut, (Figure 12).

NOTE: Do not tighten hardware at this time. Repeat to attach the remaining "L" Bracket.

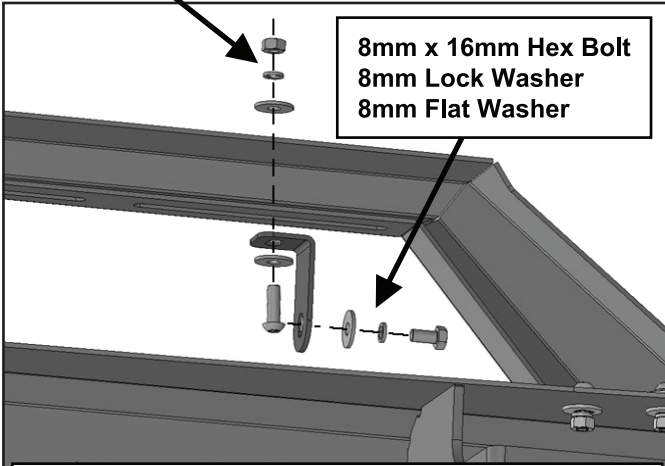


TYGER[®]

8mm Lock Washer
8mm Hex Nut

8mm x 25mm Button
Head Bolts
(2) 8mm Flat Washers

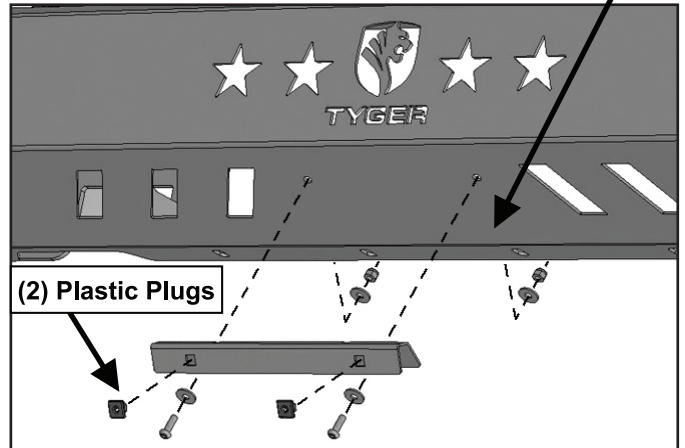
8mm x 16mm Hex Bolt
8mm Lock Washer
8mm Flat Washer



(Fig 12) Attach "L" Light Bracket to bottom of Hoop

(2) 6mm x 20mm Button
Head Screws

(4) 6mm Flat Washers
(2) 6mm Nylon Lock Nuts



(Fig 13) Attach License Plate Bracket to Bumper

STEP 13

Select the light bar, (not included). Attach light bar to "L" Brackets with (2) 8mm x 16mm Hex Bolts, (2) 8mm Lock Washers and (2) 8mm Flat Washers, (Figure 12). Adjust the width of the Brackets to the light and fully tighten bracket hardware.

STEP 14

If front license plate is required, attach the License Plate Bracket to the holes in the bumper with the included (2) 6mm x 20mm Button Head Screws, (4) 6mm Flat Washers and (2) 6mm Nylon Lock Nuts. Insert (2) Plastic Plugs into the square holes in the Bracket. Reuse the factory screws to attach the license plate to the plastic plugs, (Figure 13).

STEP 15

Do periodic inspections to the installation to make sure that all hardware is secure and tight.



Complete Installation