



# TYGER BLADE

TG-BL8T7238

## BEFORE INSTALLATION

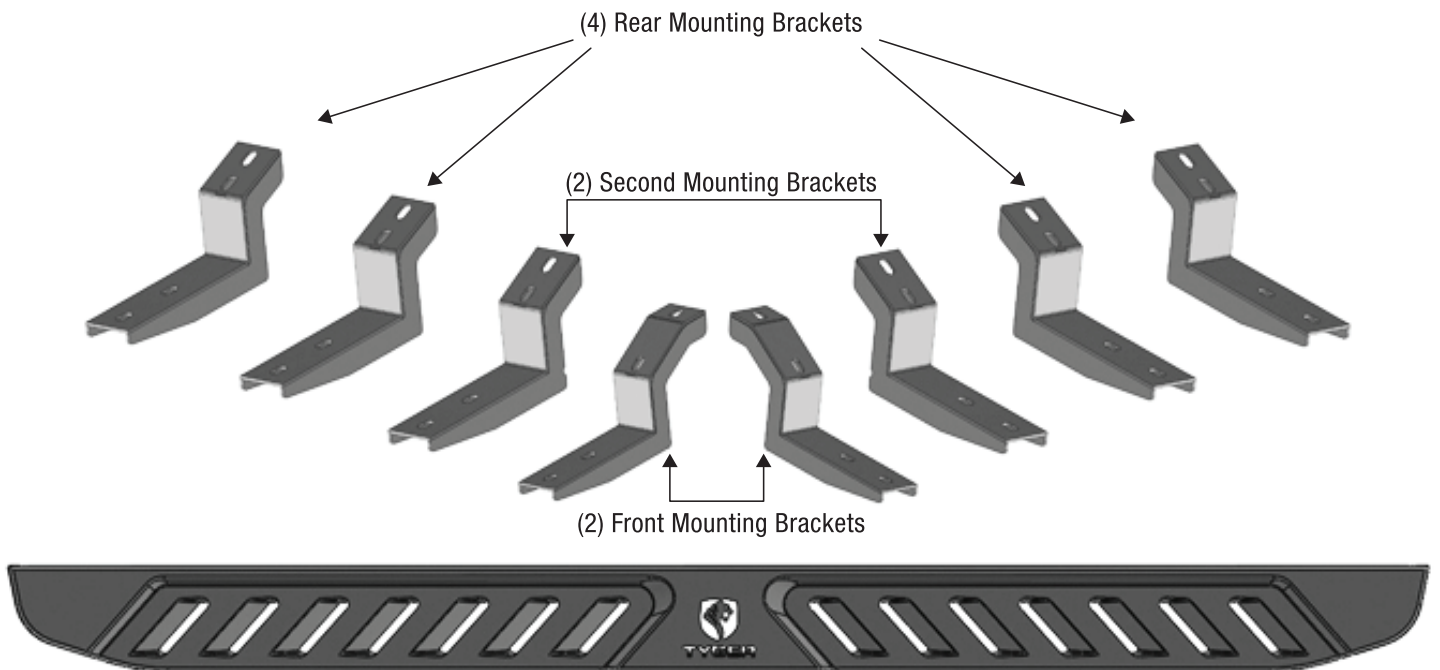
READ INSTRUCTIONS CAREFULLY BEFORE STARTING INSTALLATION. REMOVE CONTENTS FROM BOX AND VERIFY ALL PARTS ARE PRESENT. FAILURE TO IDENTIFY DAMAGE BEFORE INSTALLATION COULD LEAD TO A REJECTION OF ANY CLAIM. IF MISSING PARTS OR ANY DAMAGE FOUND, PLEASE TAKE A PICTURE FOR THE CLAIM PURPOSE.

## TORQUE VALUES

Fastener Size	Class 8.8 Torque (ft-lbs)	Class 10.9 Torque (ft-lbs)
6mm	6-7	6-7
8mm	15-16	22-23
10mm	31-32	44-45
12mm	54-55	78-79
14mm	87-88	125-126

## Parts List

- x2** TYGER Blade Running Boards
- x2** Front Mounting Brackets
- x2** Center Mounting Brackets
- x4** Rear Mounting Brackets
- x8** 8 - 1.25mm Double Bolt Plates
- x12** 8 - 1.25mm x 30mm Hex Bolts
- x28** 8mm x 24mm x 2mm Flat Washers
- x12** 8mm Lock Washer
- x16** 8 - 1.25mm Nylon Lock Nuts





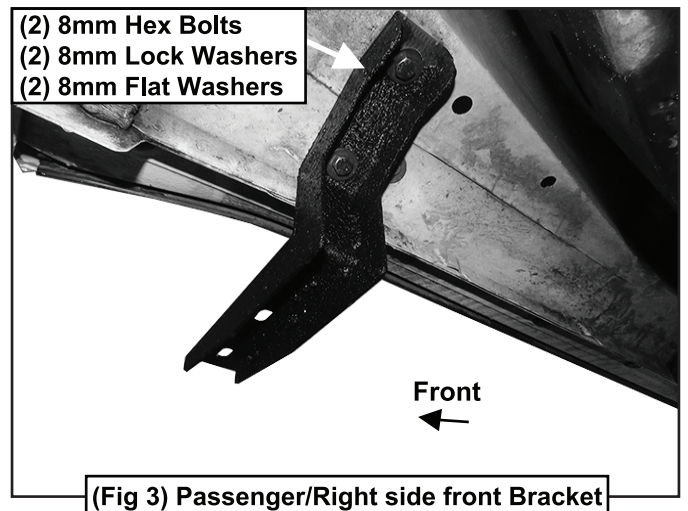
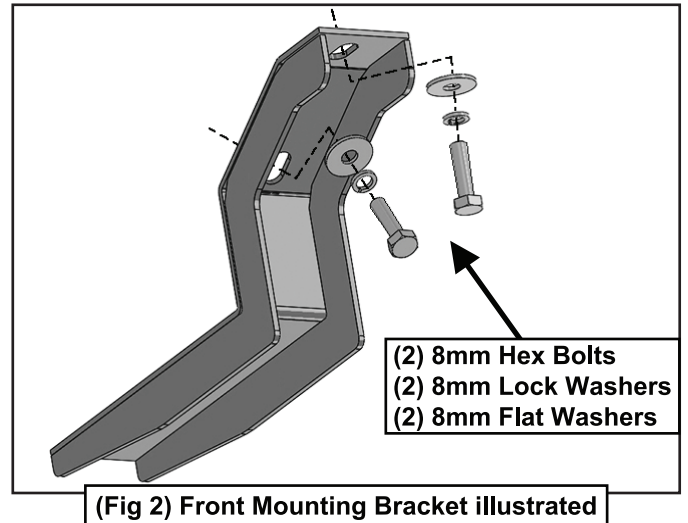
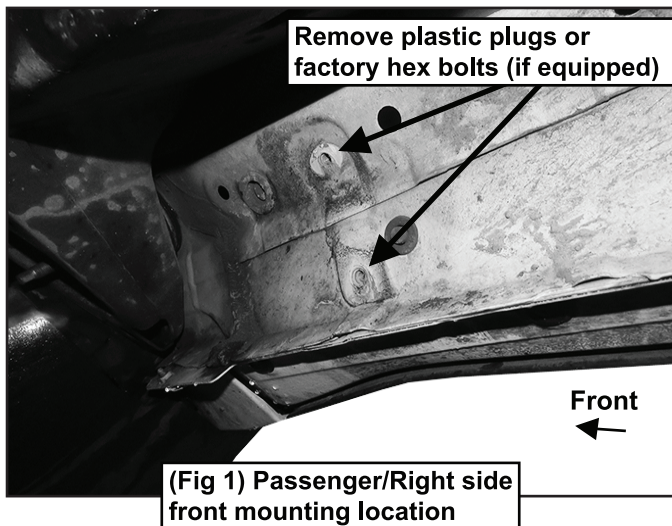
## STEP 1

REMOVE CONTENTS FROM BOX. VERIFY ALL PARTS ARE PRESENT. READ INSTRUCTIONS CAREFULLY. USE ILLUSTRATION TO IDENTIFY BRACKETS AND RUNNING BOARDS.

## STEP 2

Starting on the Passenger/Right side, front of the vehicle, remove the plastic plugs or hex bolts covering the (2) threaded holes in the body panel, (Figure 1). Select (1) Front Mounting Bracket, (Figure 2). Attach the Bracket to the vehicle using the included (2) 8mm Hex Bolts, (2) 8mm Lock Washers and (2) 8mm Flat Washers, (Figures 2 & 3). Do not tighten hardware.

### Passenger/Right Side Installation Pictured

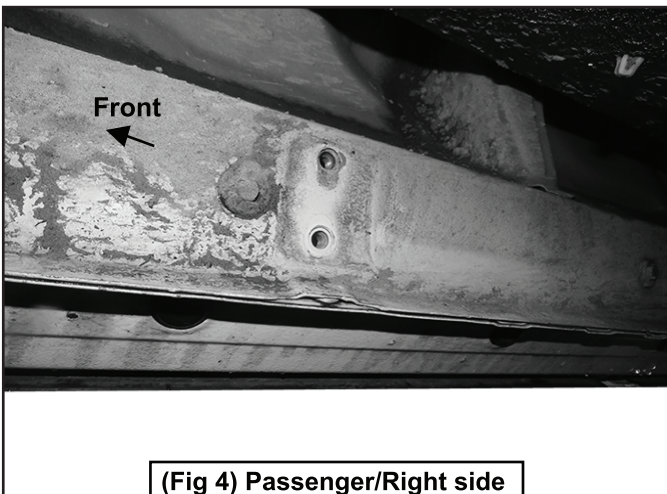




## STEP 3

Next, move to the next (2nd) center mounting location, (Figure 4).

### Passenger/Right Side Installation Pictured



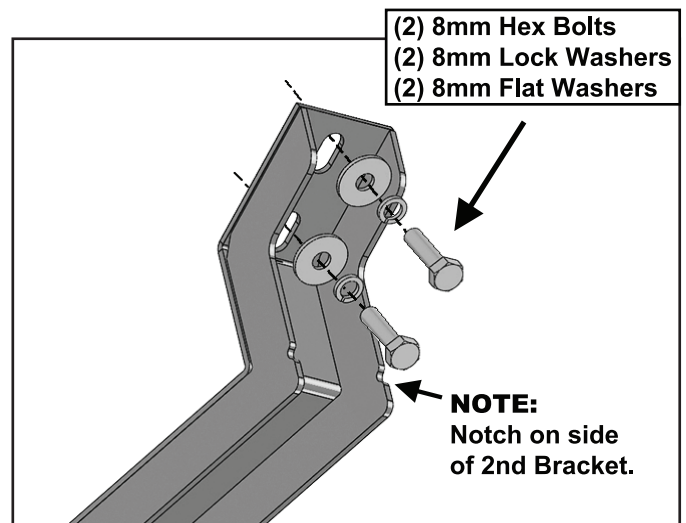
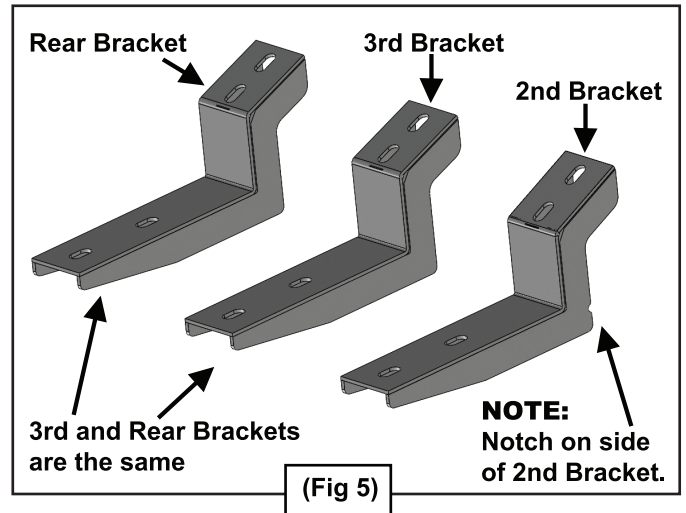
(Fig 4) Passenger/Right side 2nd mounting location

## STEP 4

Select (1) Center Mounting Bracket, (Figure 5). Repeat **STEP 2** to install the Center Mounting Bracket, (Figure 6).

**IMPORTANT:** The 2nd, 3rd and Rear Brackets look similar but the 2nd one is unique. Use the illustration above and Figure 5 to help identify each Bracket.

### Passenger/Right Side Installation Pictured

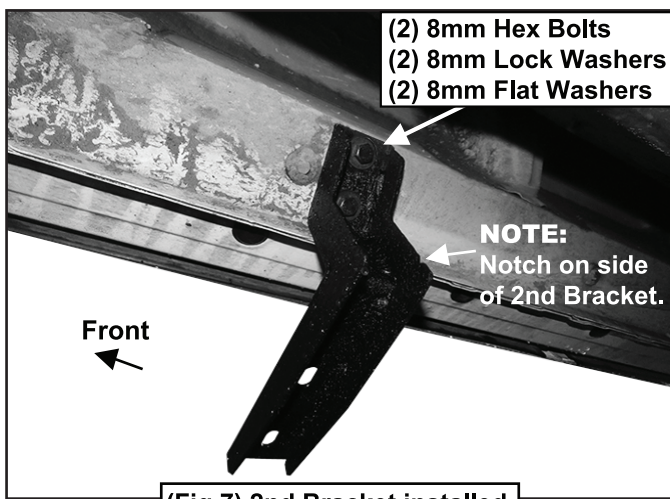




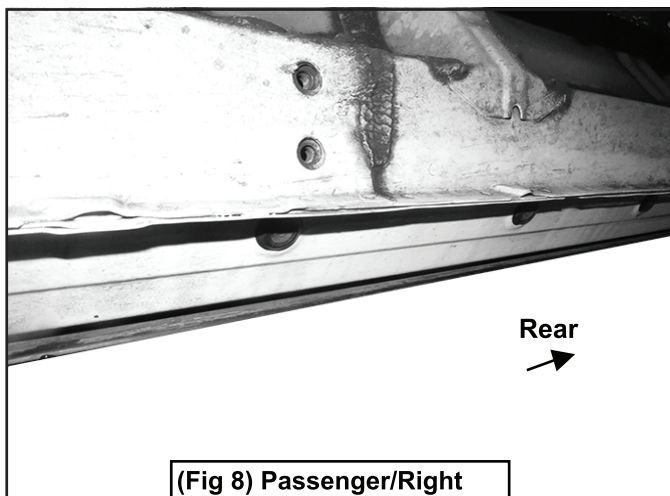
## STEP 5

Continue to the 3rd and Rear mounting locations at the back of the cab, (Figure 7). Repeat **STEP 2** to install (2) Rear Mounting Brackets, (Figures 6—11).

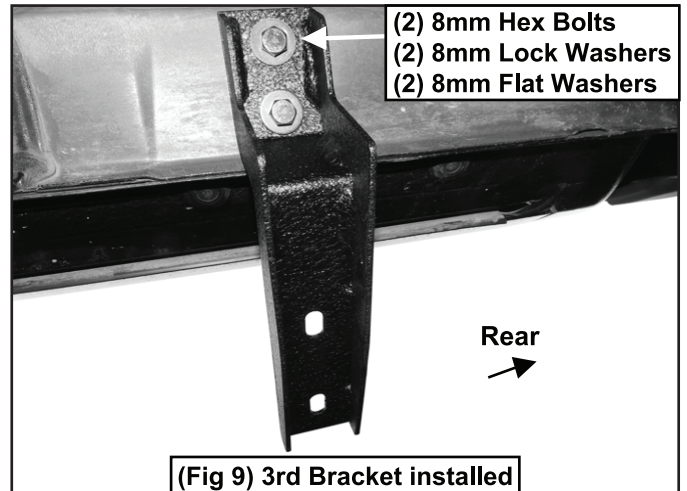
Passenger/Right Side Installation Pictured



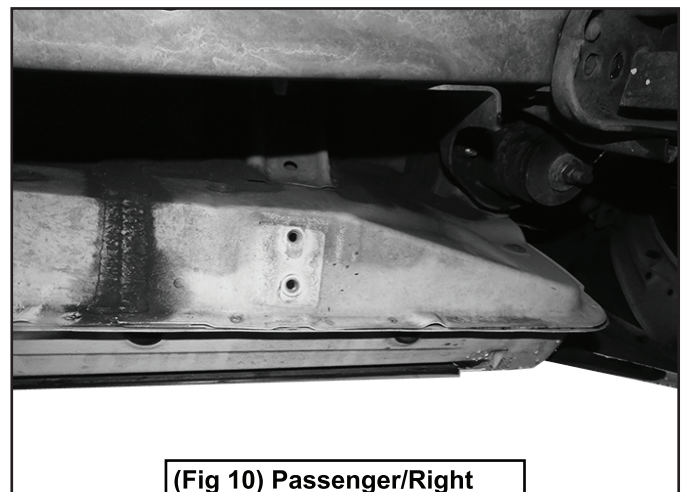
(Fig 7) 2nd Bracket installed on Passenger/Right Side



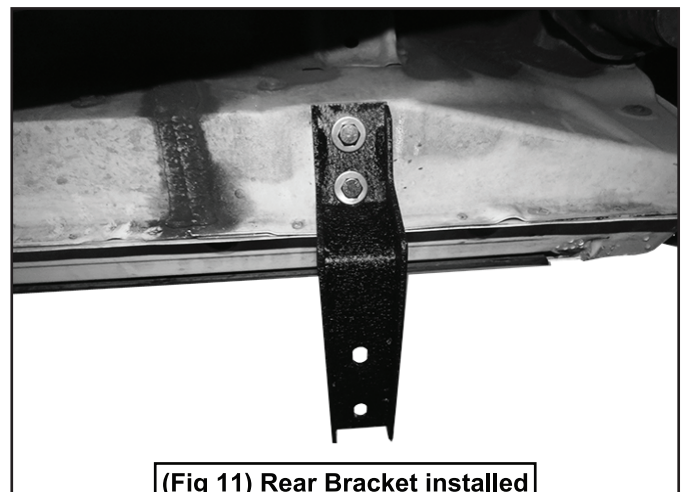
(Fig 8) Passenger/Right side 3rd mounting location



(Fig 9) 3rd Bracket installed on Passenger/Right side



(Fig 10) Passenger/Right side Rear mounting location



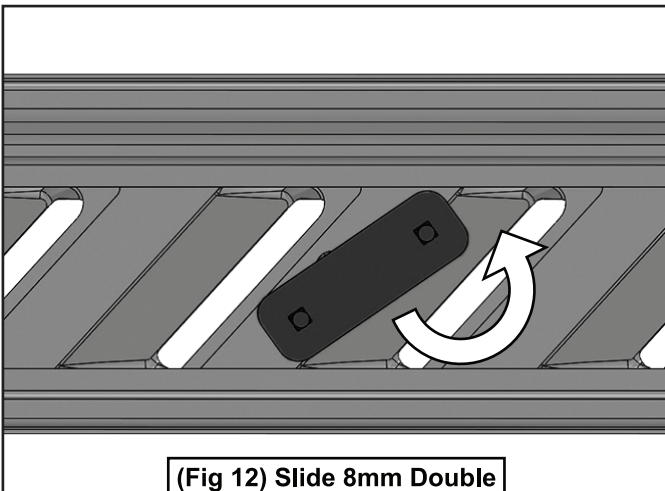
(Fig 11) Rear Bracket installed on Passenger/Right side



## STEP 6

Once all (4) Mounting Brackets have been fully installed, carefully unwrap (1) Running Board. Place the Running Board on top of the (4) Mounting Brackets. Locate the channel in the bottom of the Running Board. Select (4) 8mm Double Bolt Plates. Insert the Bolt Plates into the channel in the bottom of the Running Board closest to the Brackets, (Figure 12). Lift the Running Board up and guide the studs down through the Brackets.

Passenger/Right Side Installation Pictured

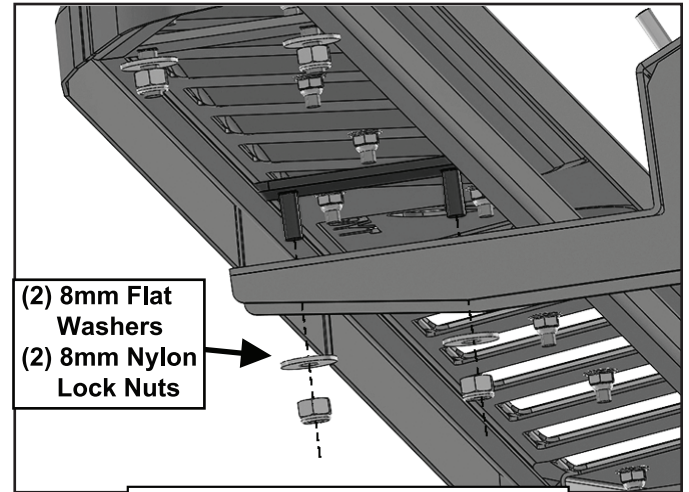


(Fig 12) Slide 8mm Double Bolt Plate into channel

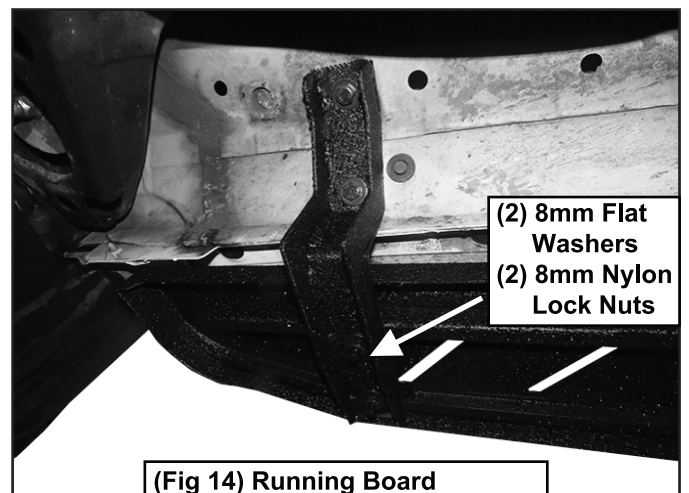
## STEP 7

Attach the Running Board to the Mounting Brackets with the included (8) 8mm Flat Washers and (8) 8mm Nylon Lock Nuts, (Figures 13—17). Do not tighten at this time.

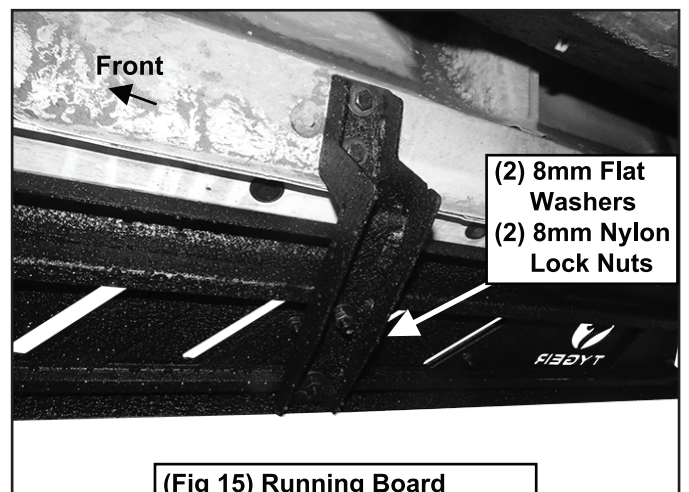
Passenger/Right Side Installation Pictured



(Fig 13) Running Board installation



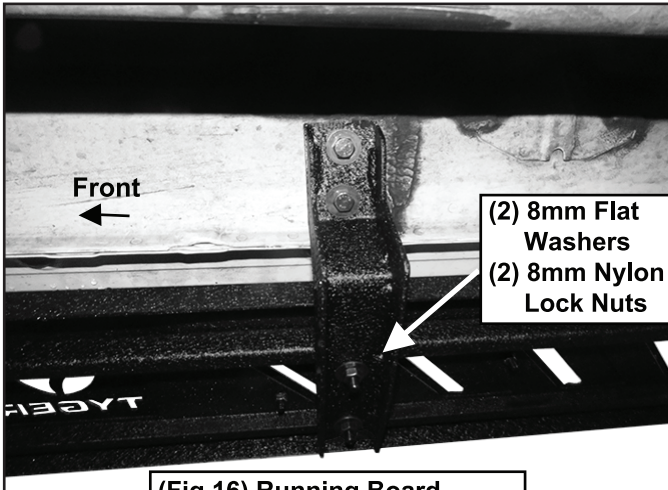
(Fig 14) Running Board Passenger/Right Front installed



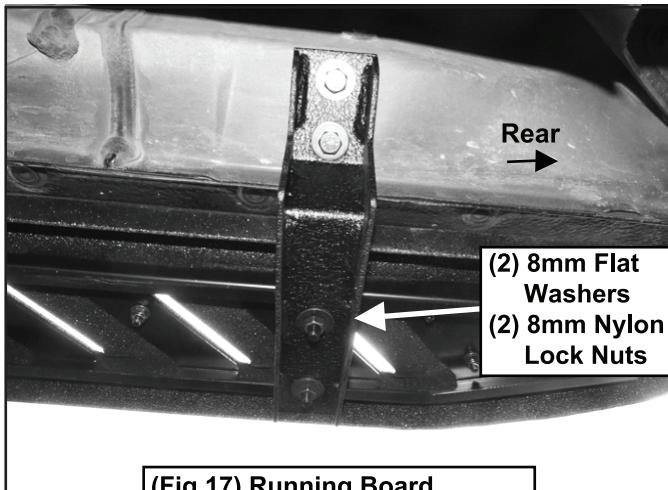
(Fig 15) Running Board Passenger/Right 2nd installed



# TYGER®



(Fig 16) Running Board Passenger/Right 3rd installed



(Fig 17) Running Board Passenger/Right Rear installed

## STEP 8

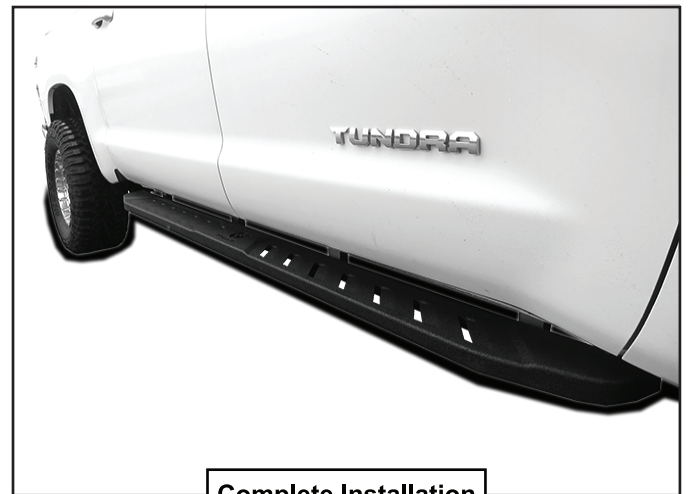
Level and adjust the Running Board as desired and tighten all hardware.

## STEP 9

Repeat **STEPS 2—8** for Driver/Right side Running Board installation.

## STEP 10

Do periodic inspections to the installation to make sure that all hardware is secure and tight.



Complete Installation

Learn more about running boards and step bars we have.