



TYGER BLADE™

TG-BL2T7088

BEFORE INSTALLATION

READ INSTRUCTIONS CAREFULLY BEFORE STARTING INSTALLATION. REMOVE CONTENTS FROM BOX AND VERIFY ALL PARTS ARE PRESENT. ASSISTANCE IS RECOMMENDED. FAILURE TO IDENTIFY DAMAGE BEFORE INSTALLATION COULD LEAD TO A REJECTION OF ANY CLAIM. IF ANY DAMAGE FOUND, PLEASE TAKE A PICTURE FOR THE CLAIM PURPOSE.

WARNING

TO PROTECT YOUR INVESTMENT, WAX THIS PRODUCT AFTER INSTALLING. REGULAR WAXING IS RECOMMENDED TO ADD A PROTECTIVE LAYER OVER THE FINISH. DO NOT USE ANY TYPE OF POLISH OR WAX THAT MAY CONTAIN ABRA-SIVES THAT COULD DAMAGE THE FINISH.

NOTE:

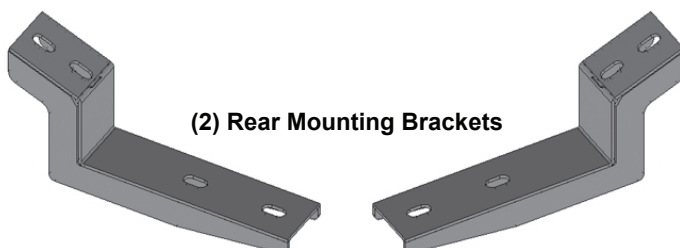
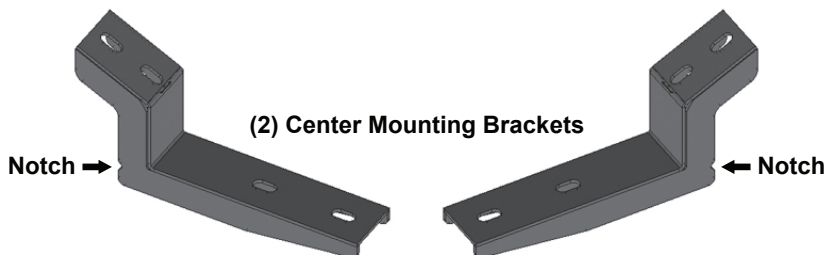
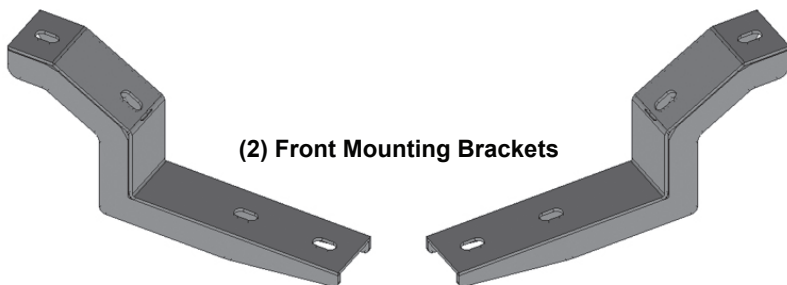
Use illustration to properly identify brackets and sidebars.

Parts List

- x2** 78" TYGER Blade Running Boards
- x2** Front Mounting Brackets
- x2** Center Mounting Brackets
- x2** Rear Mounting Brackets
- x6** 8-1.25mm Double Bolt Plates
- x12** 8-1.25mm x 30mm Hex Bolts
- x24** 8mm x 24mm x 2mm Flat Washers
- x12** 8mm Lock Washers
- x12** 8-1.25mm Nylon Lock Nuts

Tool Needed:

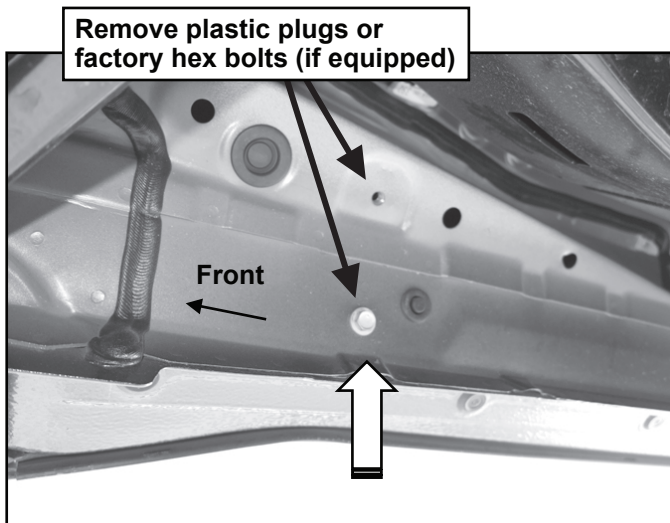
13mm Socket



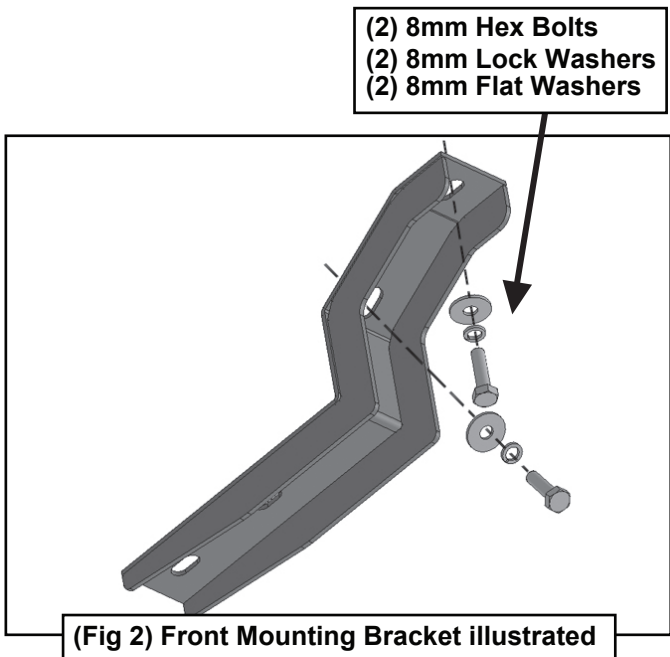


STEP 1

Starting on the passenger side, front of the vehicle, remove the plastic plugs or hex bolts covering the (2) threaded holes in the body panel, (Fig 1). Select (1) Front Mounting Bracket, (Fig 2).

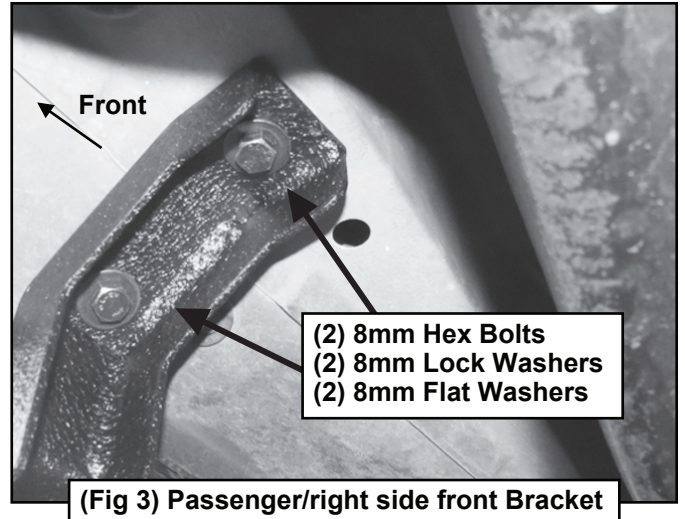


(Fig 1) Passenger/right side front mounting location



(Fig 2) Front Mounting Bracket illustrated

Attach the Bracket to the vehicle using the included (2) 8mm Hex Bolts, (2) 8mm Lock Washers and (2) 8mm Flat Washers, (Fig 3). Do not tighten hardware.

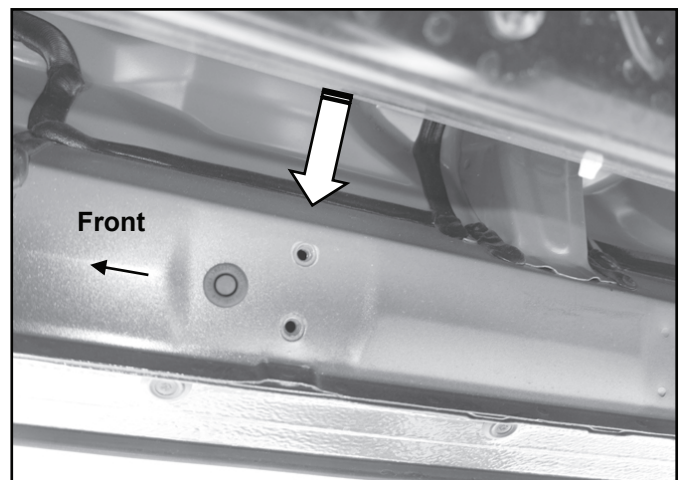


(Fig 3) Passenger/right side front Bracket

STEP 2

Next, move to the next (2nd) center mounting location, (Fig 4).

NOTE: Installation will use the 1st, 2nd and 4th mounting locations for the Running Board Brackets.



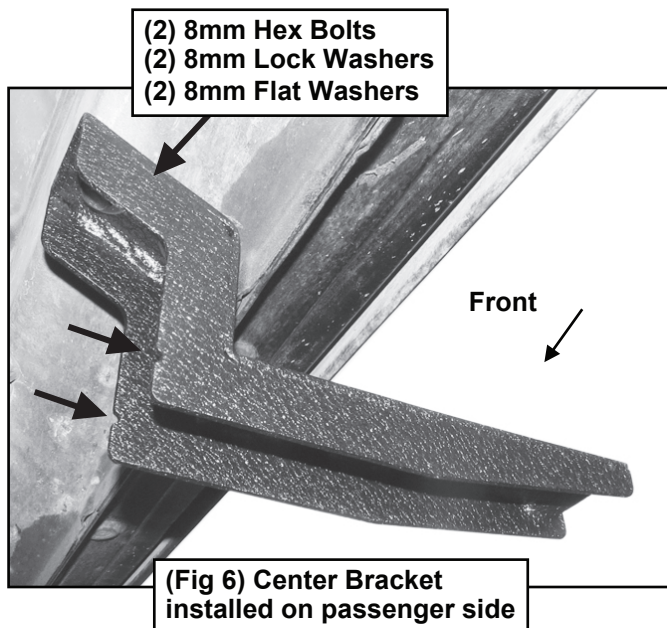
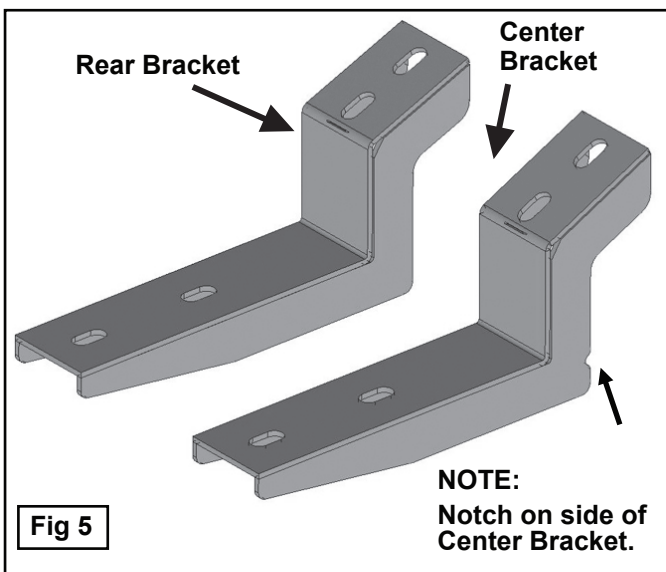
(Fig 4) Passenger/right side center mounting location



STEP 3

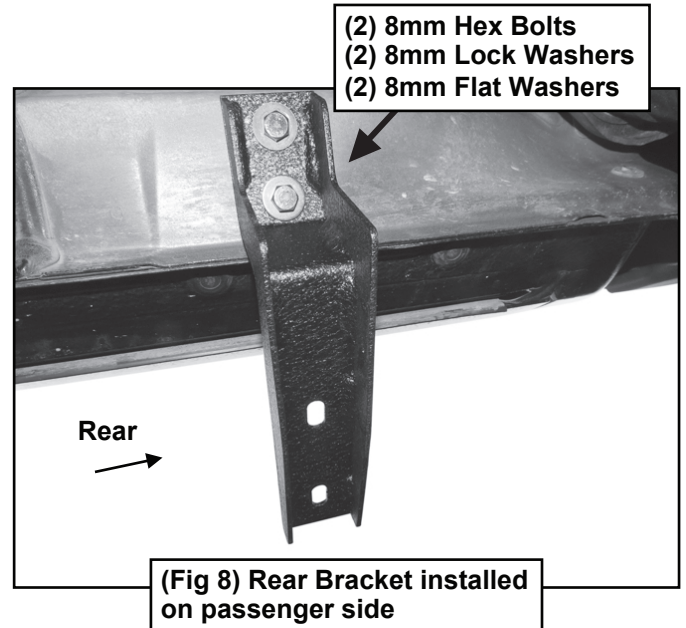
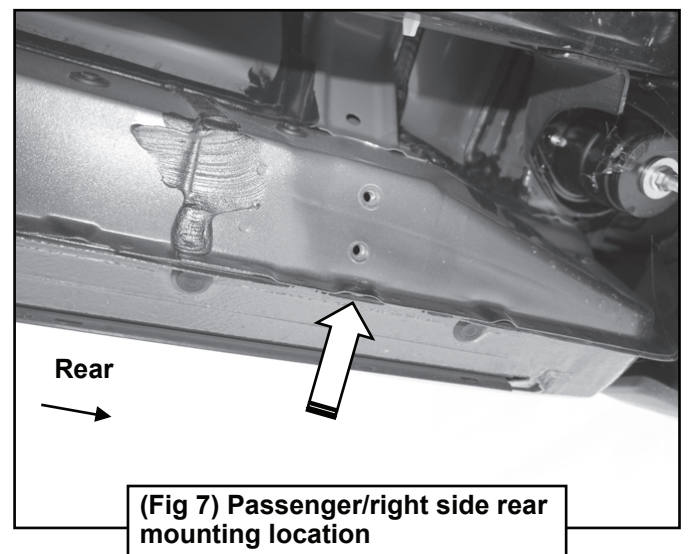
Select (1) Center Mounting Bracket, (Fig 5).

IMPORTANT: The Center and Rear Brackets look similar but each one is unique. Use the illustration above and Fig 5 to help identify each Bracket. Repeat Step 1 to install the Center Mounting Bracket, (Fig 6).



STEP 4

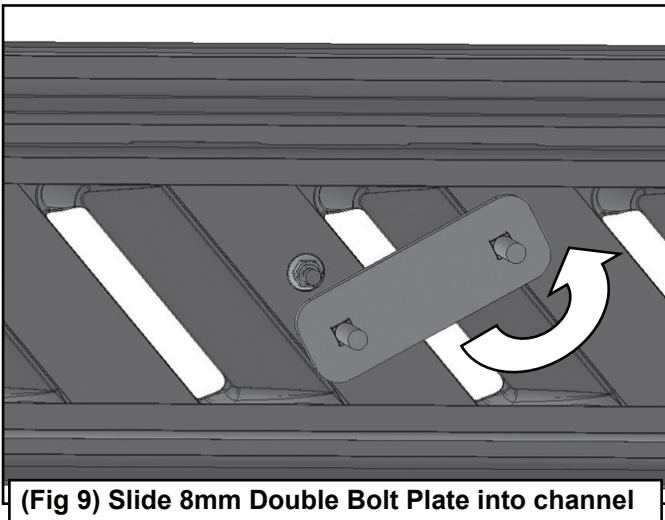
Continue to the last mounting location at the back of the cab, (Fig 7). Repeat Step 1 to install (1) Rear Mounting Bracket, (Fig 8).





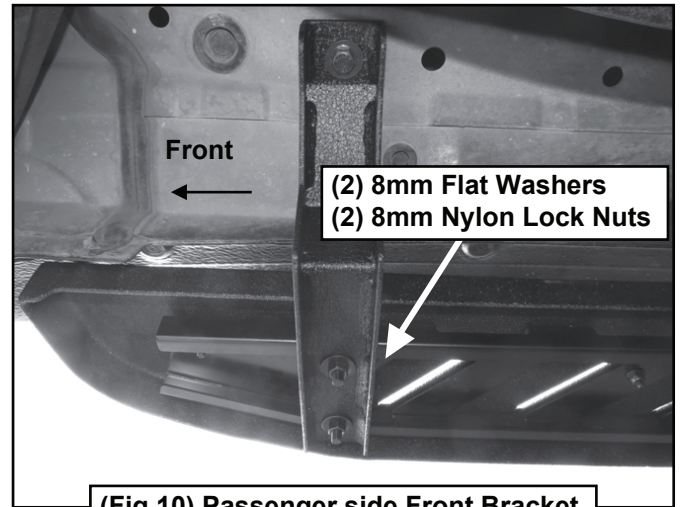
STEP 5

Once all (3) Mounting Brackets have been fully installed, carefully unwrap (1) Running Board. Place the Running Board on top of the (3) Mounting Brackets. Locate the channel in the bottom of the Running Board. Select (3) 8mm Double Bolt Plates. Insert the Bolt Plates into the channel in the bottom of the Running Board closest to the Brackets, (Fig 9). Lift the Running Board up and guide the studs down through the Brackets.

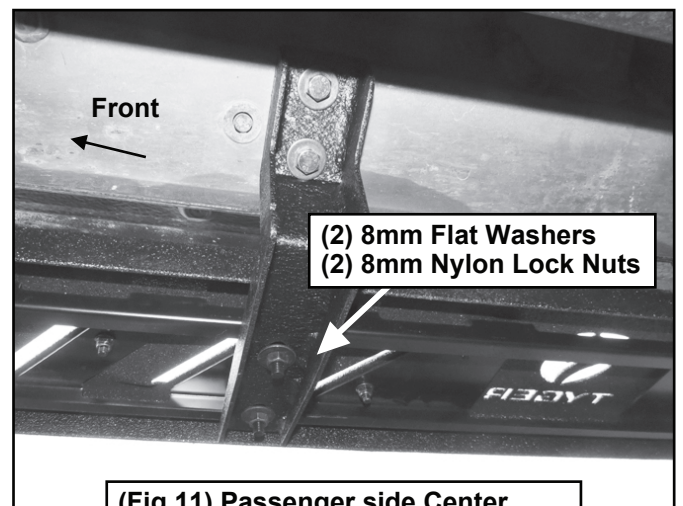


STEP 6

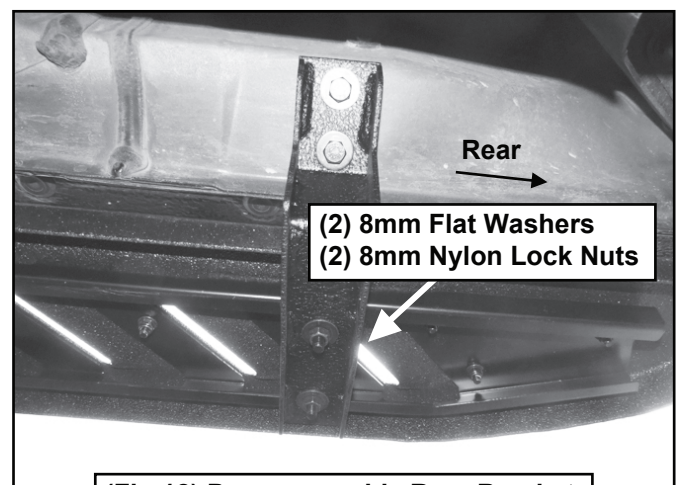
Attach the Running Board to the Mounting Brackets with the included (6) 8mm Flat Washers and (6) 8mm Nylon Lock Nuts, (Figures 10-12). Do not tighten at this time.



(Fig 10) Passenger side Front Bracket attached to Running Board installed



(Fig 11) Passenger side Center Bracket attached to Running Board



(Fig 12) Passenger side Rear Bracket attached to Running Board



TYGER[®]

STEP 7

Level and adjust the Running Board as desired and tighten all hardware.

STEP 8

Repeat Steps 1-7 for driver side Running Board installation

STEP 9

Do periodic inspections to the installation to make sure that all hardware is secure and tight.



Get in and out of your truck or SUV easier with running boards available on our website.