



TYGER BLADE™

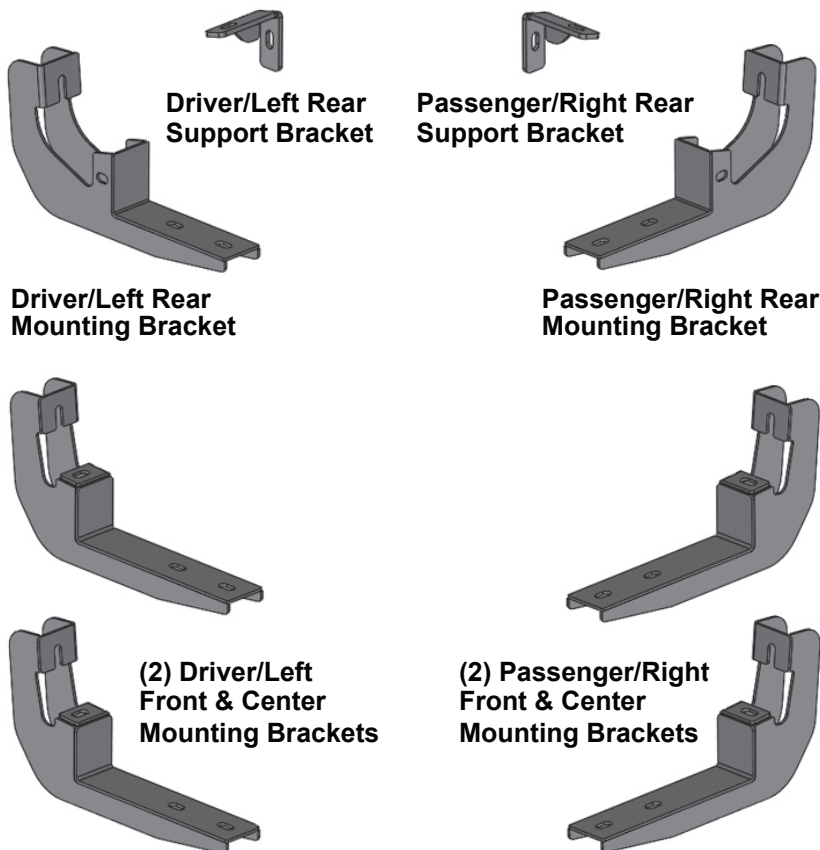
TG-BL2C7018

BEFORE INSTALLATION

READ INSTRUCTIONS CAREFULLY BEFORE STARTING INSTALLATION. REMOVE CONTENTS FROM BOX AND VERIFY ALL PARTS ARE PRESENT. ASSISTANCE IS RECOMMENDED. FAILURE TO IDENTIFY DAMAGE BEFORE INSTALLATION COULD LEAD TO A REJECTION OF ANY CLAIM. IF ANY DAMAGE FOUND, PLEASE TAKE A PICTURE FOR THE CLAIM PURPOSE.

WARNING

TO PROTECT YOUR INVESTMENT, WAX THIS PRODUCT AFTER INSTALLING. REGULAR WAXING IS RECOMMENDED TO ADD A PROTECTIVE LAYER OVER THE FINISH. DO NOT USE ANY TYPE OF POLISH OR WAX THAT MAY CONTAIN ABRA-SIVES THAT COULD DAMAGE THE FINISH.



Parts List

- x2 TYGER Blade Running Boards
- x2 Driver Side Front and Center Brackets
- x2 Passenger Side Front and Center Brackets
- x1 Driver/Left Rear Mounting Bracket
- x1 Passenger/Right Rear Mounting Bracket
- x1 Driver/Left Side Rear Support Bracket
- x1 Passenger/Right Side Rear Support Bracket
- x2 8mm x 60mm Long Bolt Plates (gold)
- x2 8mm x 50mm Short Bolt Plates (black)
- x4 8mm Plastic Retainers
- x8 8-1.25mm Clip-On Nuts
- x10 8-1.25mm x 30mm Hex Bolts
- x6 8-1.25mm Double Bolt Plates
- x28 8mm x 24mm x 2mm Flat Washers
- x12 8mm Lock Washers
- x4 8mm Hex Nuts
- x14 8-1.25mm Nylon Lock Nuts

Tool Needed:

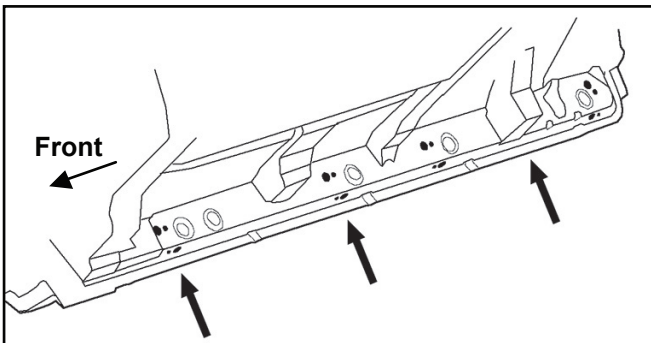
13mm Socket



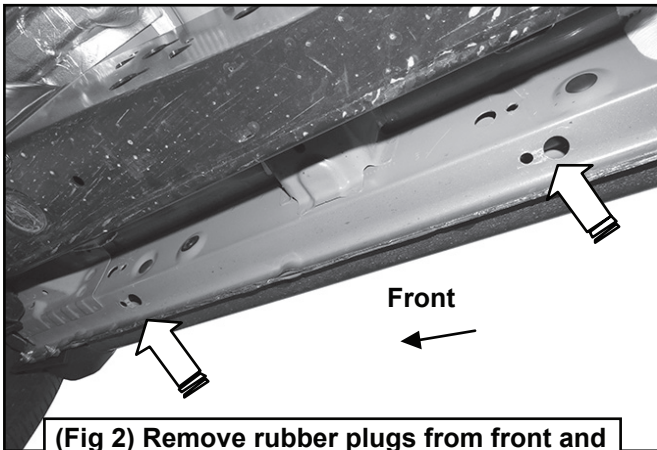
STEP 1

Start the installation under the passenger side of the vehicle. Locate the front mounting location along the bottom and inner side of the body panel, (Figs 1-2).

NOTE: It may help to hold a Bracket up in place to help determine the mounting holes to use along the bottom and inner side of the body.



(Fig 1) Passenger side mounting locations along bottom and back of body panel illustrated



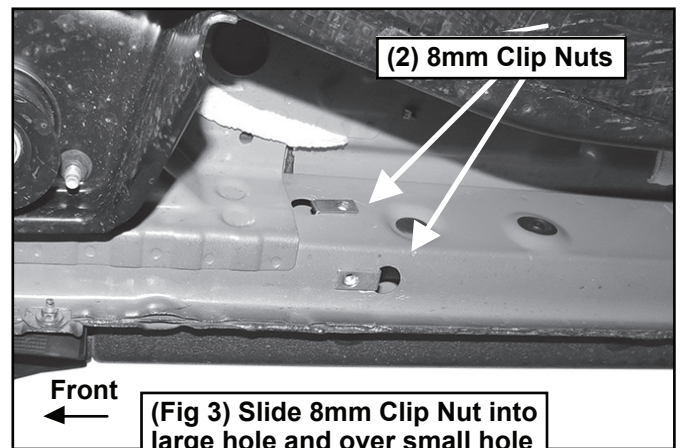
(Fig 2) Remove rubber plugs from front and center mounting locations (arrows)

STEP 2

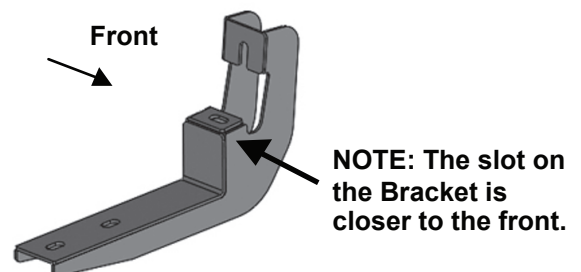
Remove rubber plugs from the front location, (Fig 2). Select (2) 8mm Clip Nuts. Slide each Clip Nut into the large hole and over the smaller hole next to it. Line up threaded nut on the Clip Nut with smaller hole in body panel, (Fig 3).

STEP 3

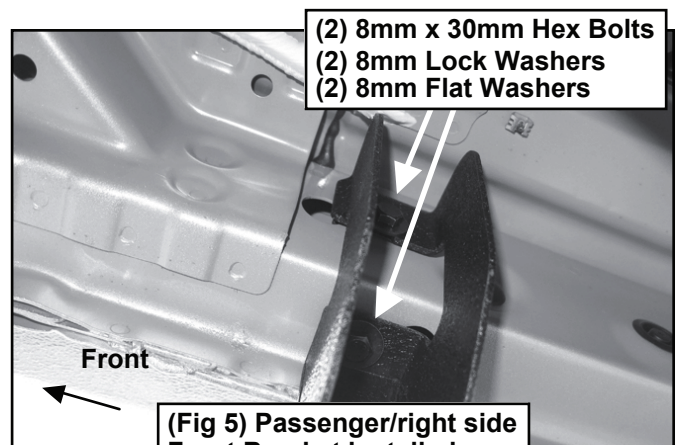
Select (1) Passenger Side Front/Center Mounting Bracket, (Fig 4). Attach the Bracket to the (2) Clip Nuts with (2) 8mm Hex Bolts, (2) 8mm Lock Washers and (2) 8mm Flat Washers, (Fig 5). Snug but do not fully tighten the hardware.



(Fig 3) Slide 8mm Clip Nut into large hole and over small hole



(Fig 4) Passenger/right side Front/Center Mounting Bracket

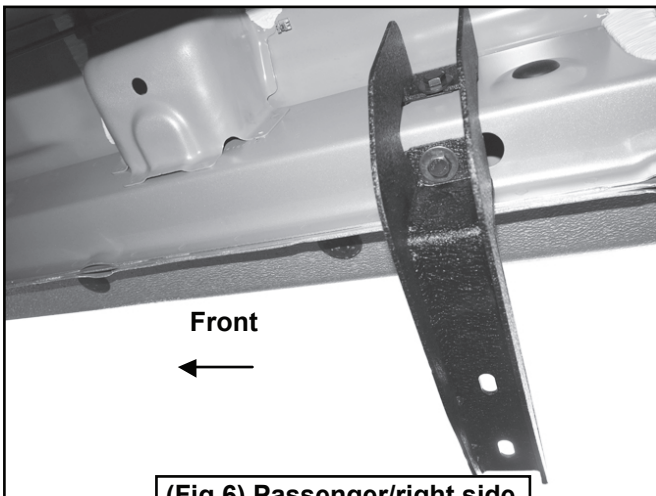


(Fig 5) Passenger/right side Front Bracket installed



STEP 4

Move to the next mounting location along the body, (Figs 1-2). Repeat Steps 1-3 to install (1) Passenger side Front/Center Bracket in the center mounting location, (Fig 6).



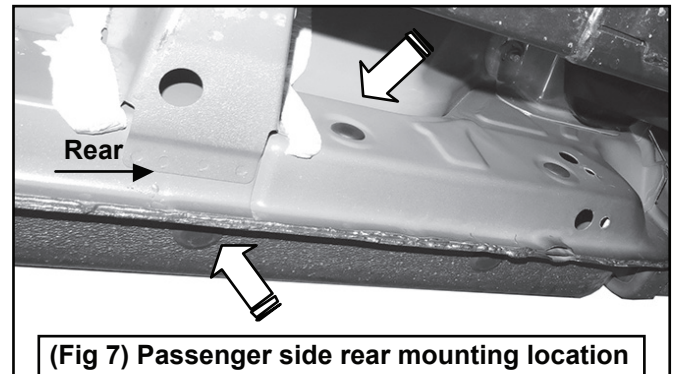
(Fig 6) Passenger/right side Center Bracket installed

STEP 5

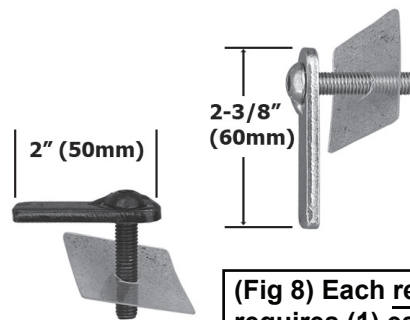
Next, locate the rear mounting location toward the back of the cab, (Fig 7). Remove the rubber plug from the bottom of the outer body panel. Select (1) 8mm x 50mm Short Bolt Plate, (black), and (1) 8mm Plastic Retainer, (Fig 8). Partially thread the Retainer onto the Bolt Plate. Insert the Bolt Plate into the hole in the bottom of the body panel, (Figs 8-10). Tighten the Retainer against the panel to hold the Bolt Plate in position.

STEP 6

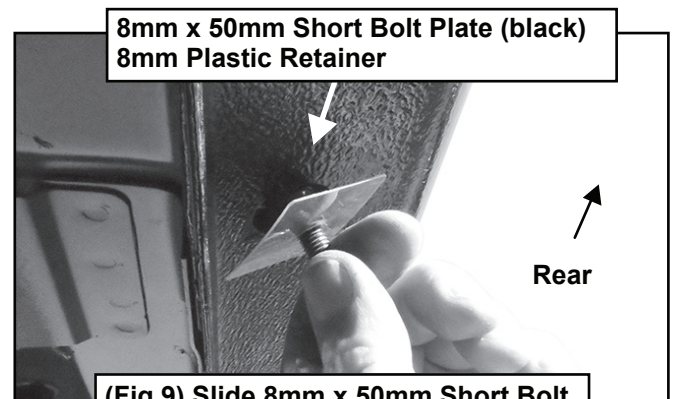
Next, remove the rubber plug from the inner body panel, (Fig 7). Select (1) 8mm x 60mm Long Bolt Plate (gold), and 8mm Plastic Retainer, (Fig 8). Repeat Step 5 to install the Bolt Plate in the hole in the inner body panel, (Figs 8 & 10).



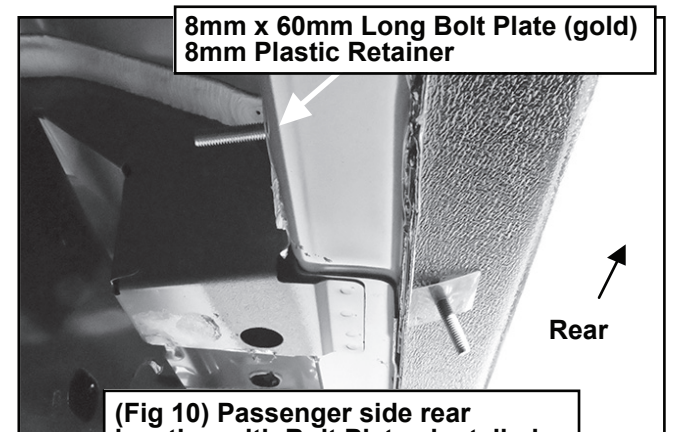
(Fig 7) Passenger side rear mounting location



(Fig 8) Each rear Bracket requires (1) each Bolt Plates



(Fig 9) Slide 8mm x 50mm Short Bolt Plate into outer hole in body panel



(Fig 10) Passenger side rear location with Bolt Plates installed



STEP 7

Select the Passenger Side Rear Mounting Bracket, (Fig 11). Attach the Bracket to the 8mm x 60mm Bolt Plate and Plastic Retainer with (1) 8mm Flat Washer, (1) 8mm Lock Washer and (1) 8mm Hex Nut, (Fig 11). Do not tighten hardware at this time.

STEP 8

Next, select the Passenger Side Rear Support Bracket, (Fig 12). Attach the Support Bracket to the 8mm x 50mm Bolt Plate and Plastic Retainer with (1) 8mm Flat Washer and (1) 8mm Nylon Lock Nut, (Fig 12). Use (1) 8mm Hex Bolt, (2) 8mm Flat Washers, (1) 8mm Lock Washer and (1) 8mm Hex Nut to attach the Support Bracket to the Rear Mounting Bracket, (Fig 12).

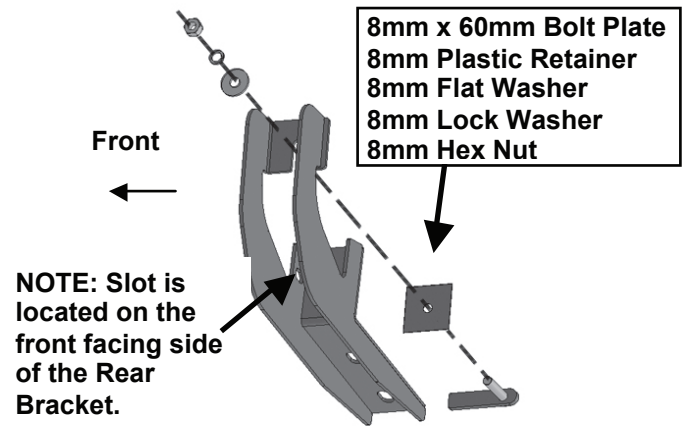
NOTE: Bracket must install flat against inner sheet-metal, remove sealant as necessary. Do not fully tighten hardware.

STEP 9

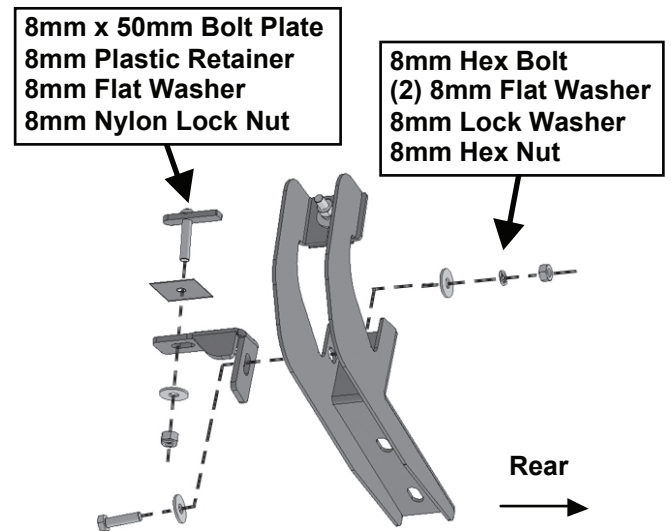
Once all Brackets have been fully installed, select (1) Running Board.

STEP 10

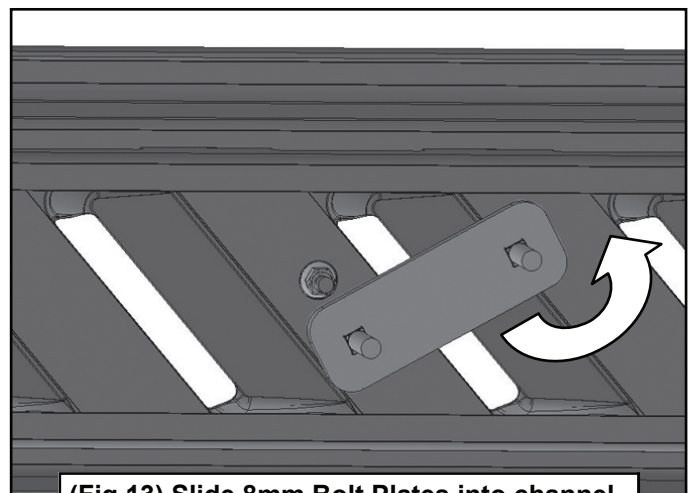
Place the Running Board on top of the Brackets. Locate the channel in the bottom of the Running Board. Select (3) 8mm Double Bolt Plates. Insert the Bolt Plates into the channel in the bottom of the Running Board closest to the Brackets, (Fig 13). Lift the Running Board up and guide the studs down through the Brackets



(Fig 11) Passenger side Rear Bracket



(Fig 12) Passenger side Rear Bracket attached to the Rear Support Bracket illustrated



(Fig 13) Slide 8mm Bolt Plates into channel

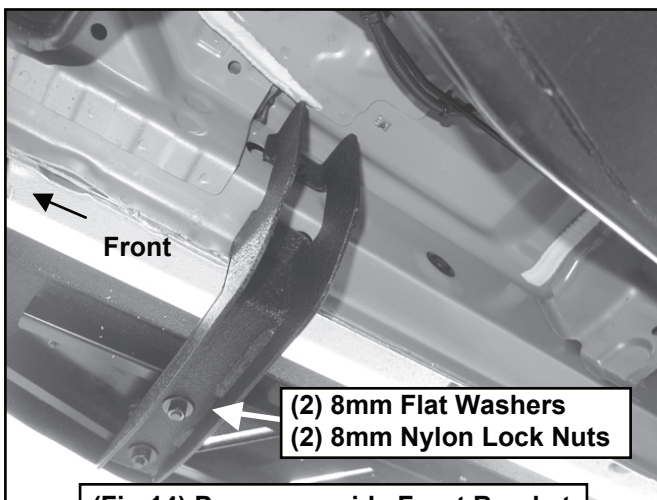


TYGER®

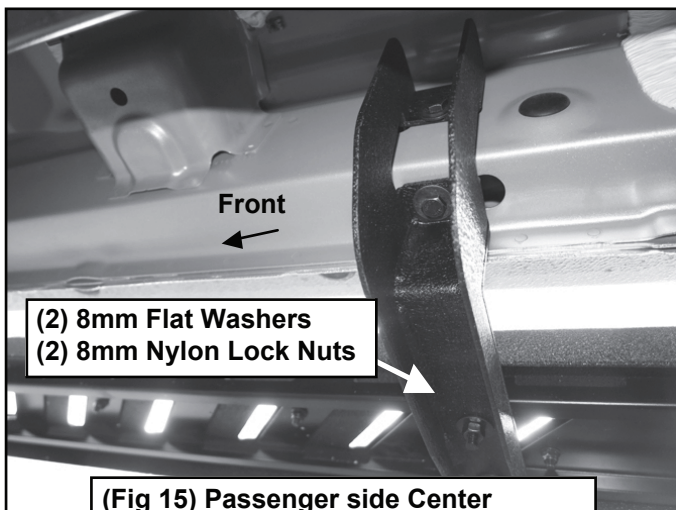
STEP 11

Attach the Running Board to the Brackets with (6) 8mm Flat Washers and (6) 8mm Nylon Lock Nuts, (Figs 14-15).

NOTE: The Running Board is designed to fit close to the vehicle. It may be necessary to loosen the Bracket hardware slightly and tilt the Brackets downward to insert the Running Board between the Brackets and the body.



(Fig 14) Passenger side Front Bracket attached to Running Board



(Fig 15) Passenger side Center Bracket attached to Running Board

STEP 12

Slide the Running Board forward or back and in/out as desired.

IMPORTANT: Do not allow the front of the Running Board to come in contact with front splash guards if equipped. Level and adjust the Running Board as necessary and fully tighten all hardware.

STEP 13

Repeat Steps 1-12 for driver side Running Board installation.

STEP 14

Do periodic inspections to the installation to make sure that all hardware is secure and tight.

