



TYGER[®]

TG-AM2T20208

TYGER ARMOR™

Parts List

x1 Driver Side Armor

x16 8-1.25mm x 30mm Hex Bolts

x16 8mm Lock Washers

x1 Passenger Side Armor

x16 8mm x 24mm OD x 2mm Flat Washers

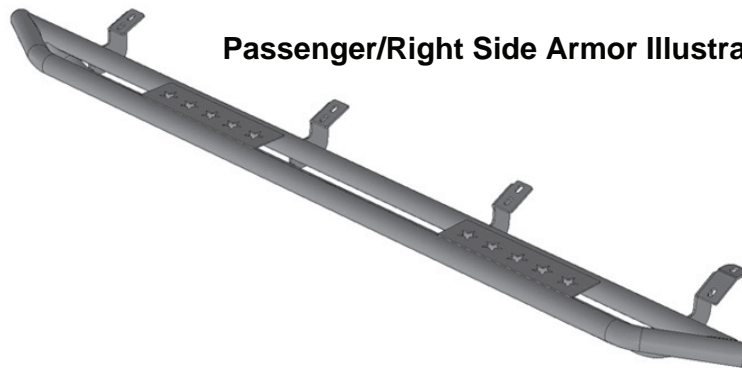
Before Installation

REMOVE CONTENTS FROM BOX. VERIFY ALL PARTS ARE PRESENT. READ INSTRUCTIONS CAREFULLY. ASSISTANCE IS HIGHLY RECOMMENDED.

Warning

To protect your investment, wax this product after installing. Regular waxing is recommended to add a protective layer over the finish. Do not use any type of polish or wax that may contain abrasives that could damage the finish. Use mild soap to clean the Side Armor assembly.

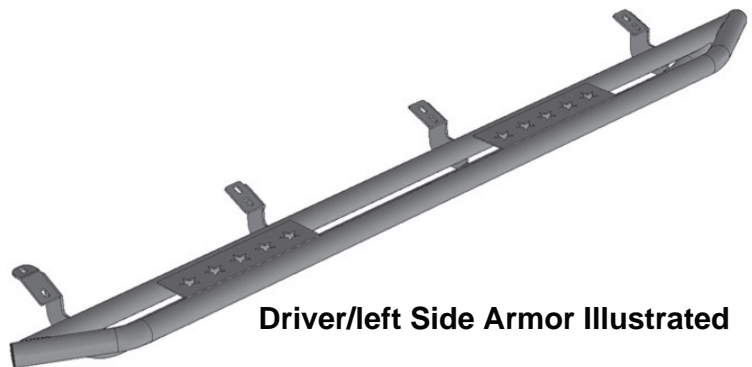
Passenger/Right Side Armor Illustrated



Front



Driver/Left Side Armor Illustrated





TYGER[®]

STEP 1

Starting on the passenger side of the vehicle, locate and remove the plastic plugs or hex bolts from the (4) factory mounting location along the bottom of the body, (Figures 1 & 2). Brackets must sit flat against the floor panel, remove any excess sealant as necessary.

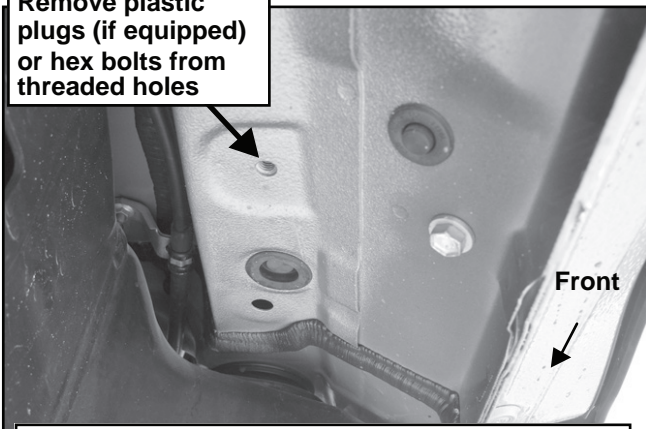
STEP 2

Select the Passenger/right Side Armor assembly.

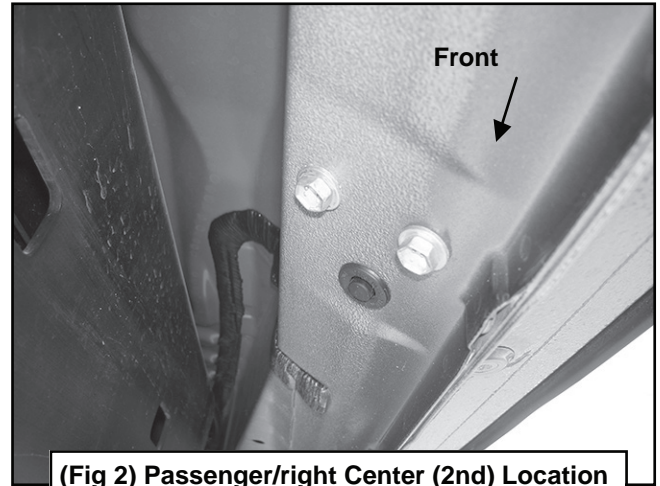
STEP 3

With assistance, line up the (4) mounting brackets on the Side Armor with the factory holes in the body. Attach the Side Armor to the factory locations with the included (8) 8mm Hex Bolts, (8) 8mm Lock Washers and (8) 8mm Flat Washers, (Figures 3 & 4). Do not tighten hardware at this time.

Remove plastic plugs (if equipped) or hex bolts from threaded holes

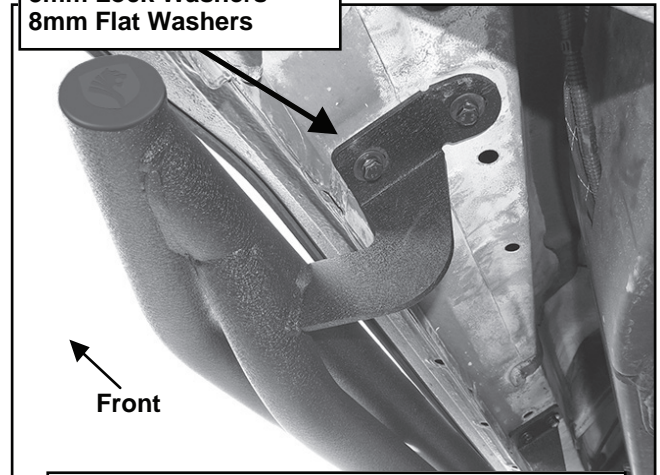


(Fig 1) Passenger/right Front Mounting Location



(Fig 2) Passenger/right Center (2nd) Location

8mm x 30mm Hex Bolts
8mm Lock Washers
8mm Flat Washers



(Fig 3) Passenger/right front Bracket installed



TYGER[®]

STEP 4

Adjust the position as necessary and tighten all hardware.

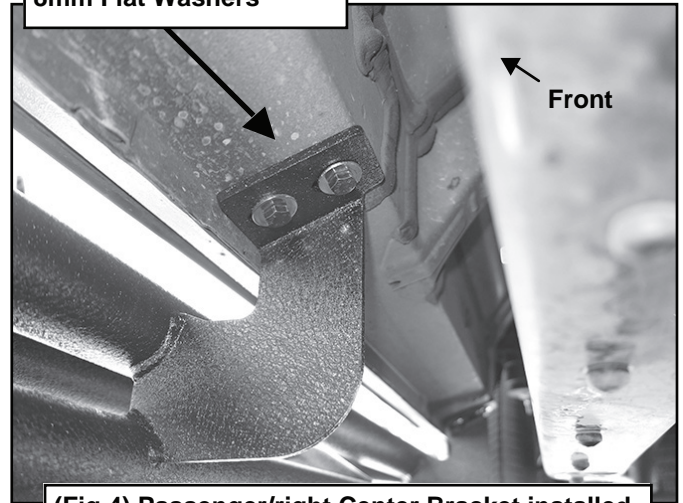
STEP 5

Repeat Steps 1-4 for driver/left Side Armor installation.

STEP 6

Do periodic inspections to the installation to make sure that all hardware is secure and tight.

8mm x 30mm Hex Bolts
8mm Lock Washers
8mm Flat Washers



(Fig 4) Passenger/right Center Bracket installed



Complete Installation