



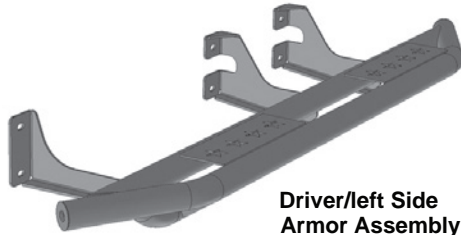
# TYGER<sup>®</sup>

## TYGER ARMOR<sup>™</sup>

TG-AM2T20068



Passenger/Right Side  
Armor Assembly



Driver/Left Side  
Armor Assembly

### Parts List

- x1** Driver Sidebar
- x1** Passenger Sidebar
- x12** 8-1.25mm x 30mm Hex Bolts
- x12** 8mm Lock Washers
- x12** 8mm x 28mm OD x 3mm Flat Washers

### Before Installation

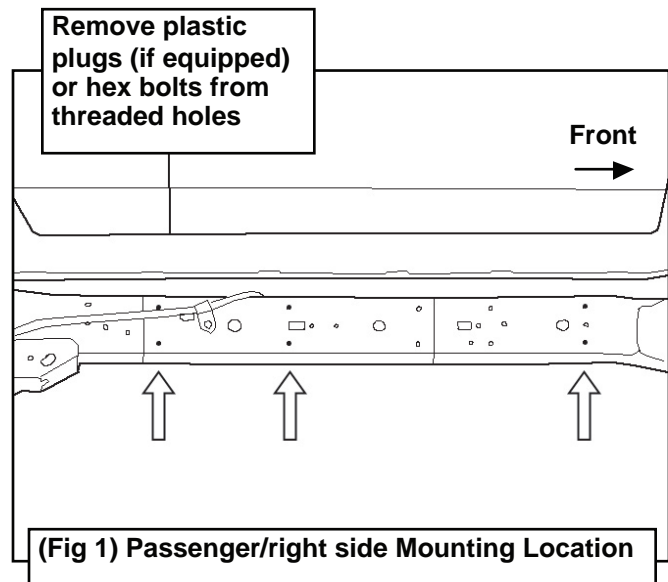
ASSISTANCE IS HIGHLY RECOMMENDED. REMOVE CONTENTS FROM BOX. VERIFY ALL PARTS ARE PRESENT. READ INSTRUCTIONS CAREFULLY.

### Warning

To protect your investment, wax this product after installing. Regular waxing is recommended to add a protective layer over the finish. Do not use any type of polish or wax that may contain abrasives that could damage the finish. Please use only mild soap to clean the Side Armor.

### STEP 1 PRIOR TO INSTALLATION

Starting on the passenger side of the vehicle, remove any plastic plugs or hex bolts from the factory mounting location along the side of the frame, (Figure 1). NOTE: If necessary, hold the passenger Side Armor up in position to locate correct mounting holes.



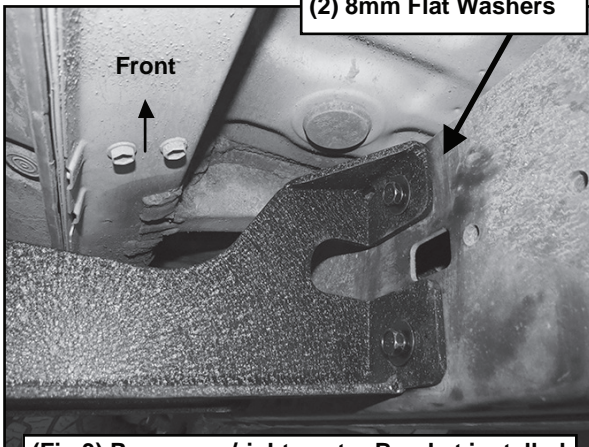
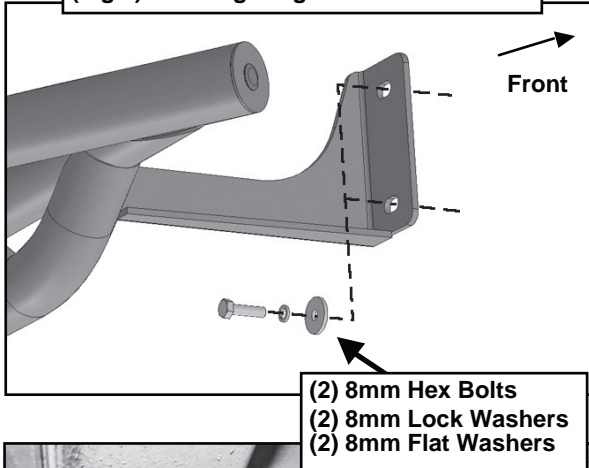
### STEP 2

Select the Passenger Side Armor. With assistance, line up the (3) mounting brackets on the Side Armor with the factory holes in the side of the frame. Attach the Side Armor to the frame with the included (6) 8mm Hex Bolts, (6) 8mm Lock Washers and (6) 8mm Flat Washers, (Figures 2-4). Do not tighten hardware at this time.

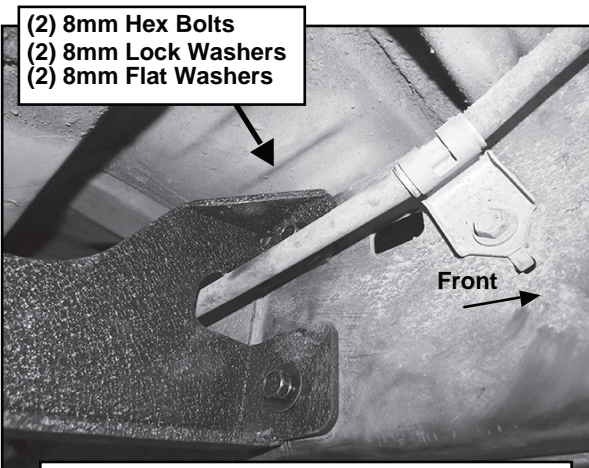


# TYGER®

(Fig 2) Passenger/right front installation



(Fig 3) Passenger/right center Bracket installed



(Fig 4) Passenger/right rear Bracket installed

## STEP 3

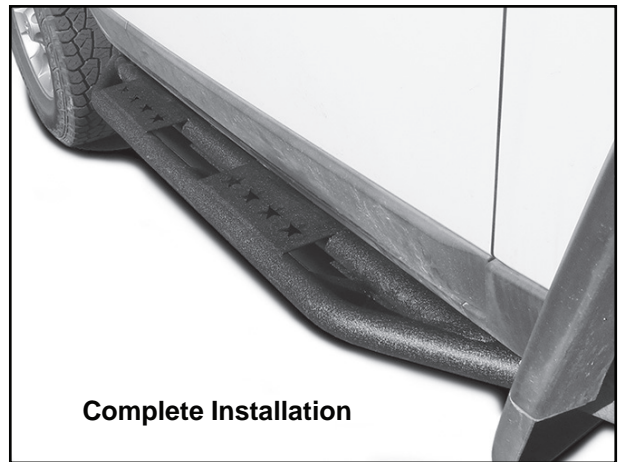
Adjust the position as necessary and tighten all hardware.

## STEP 4

Repeat Steps 1 - 3 for driver Side Armor installation.

## STEP 5

Do periodic inspections to the installation to make sure that all hardware is secure and tight.



Complete Installation