



TYGER®

TYGER ARMOR

BEFORE INSTALLATION

READ INSTRUCTIONS CAREFULLY BEFORE STARTING INSTALLATION. REMOVE CONTENTS FROM BOX AND VERIFY ALL PARTS ARE PRESENT. FAILURE TO IDENTIFY DAMAGE BEFORE INSTALLATION COULD LEAD TO A REJECTION OF ANY CLAIM. IF ANY DAMAGE FOUND, PLEASE TAKE PICTURE(S) OF THE ISSUE FOR THE CLAIM PURPOSE.

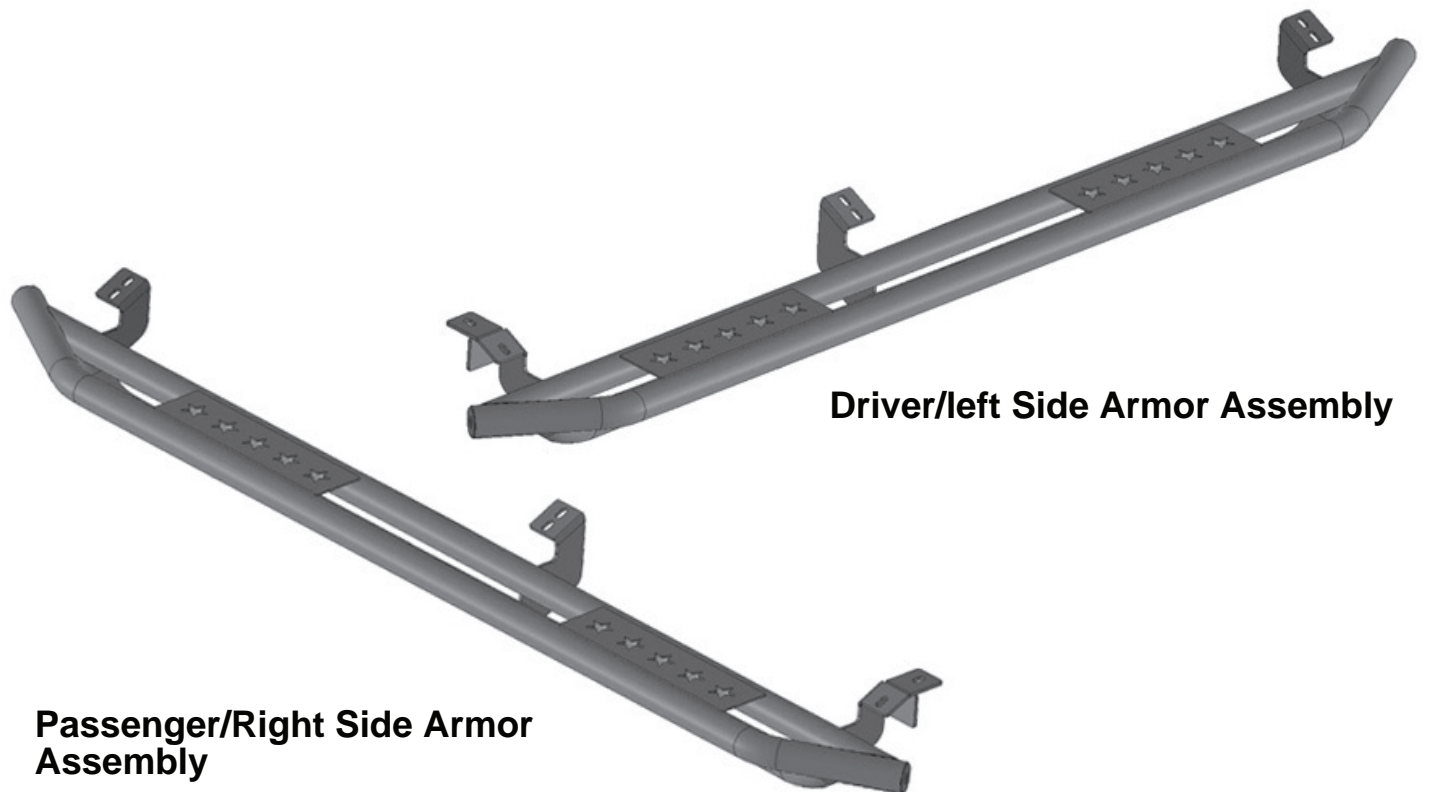
WARNING

To protect your investment, wax this product after installing. Regular waxing is recommended to add a protective layer over the finish. Do not use any type of polish or wax that may contain abrasives that could damage the finish. Please use only mild soap to clean the Side Armor.

TG-AM2T20048

Parts List

- x1 Driver Side Armor
- x1 Passenger Side Armor
- x12 8-1.25mm x 30mm Hex Bolts
- x12 8mm Lock Washers
- x12 8mm x 24mm OD x 2mm Flat Washers



Driver/left Side Armor Assembly

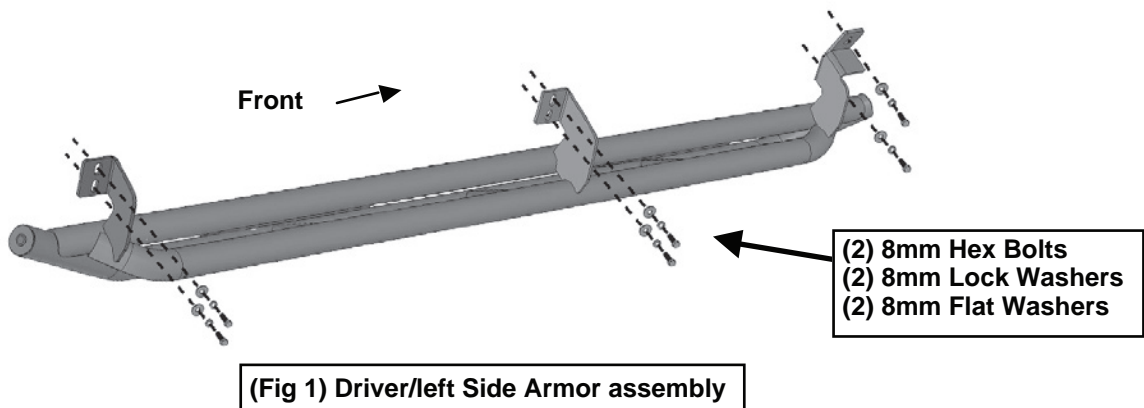
Passenger/Right Side Armor Assembly



TYGER[®]

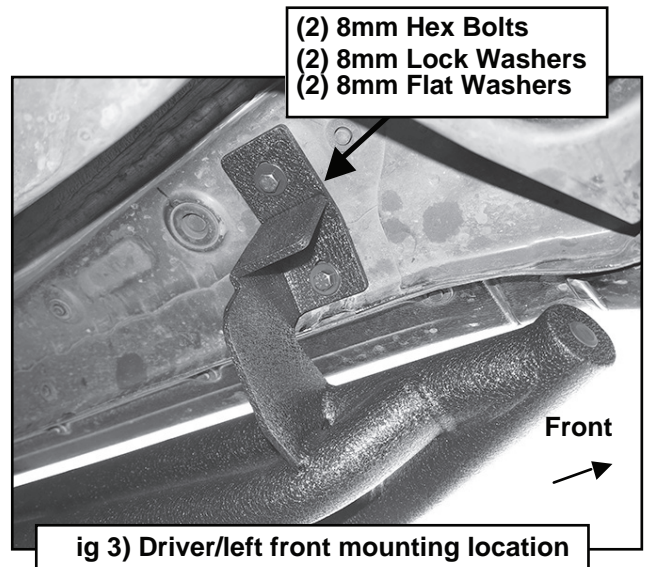
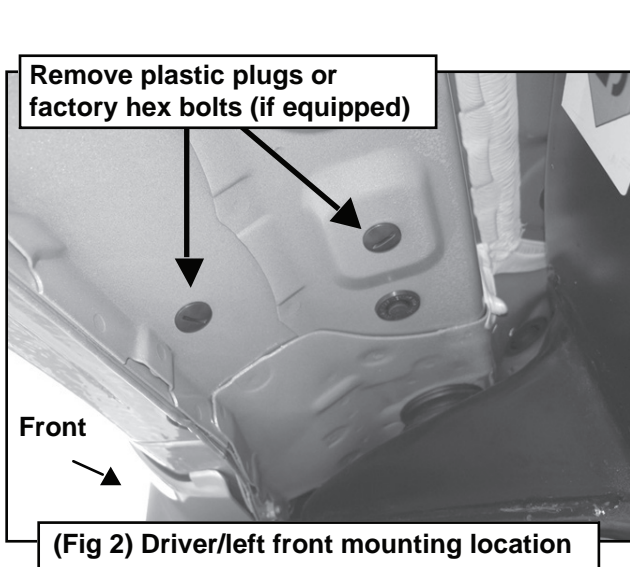
STEP 1

Starting on the driver/left side of the vehicle, remove any plastic plugs or hex bolts from the factory mounting locations along the bottom of the floor, (Figure 2). NOTE: If necessary, hold the driver/left Side Armor up in position to help locate correct mounting holes, (Figure 2).



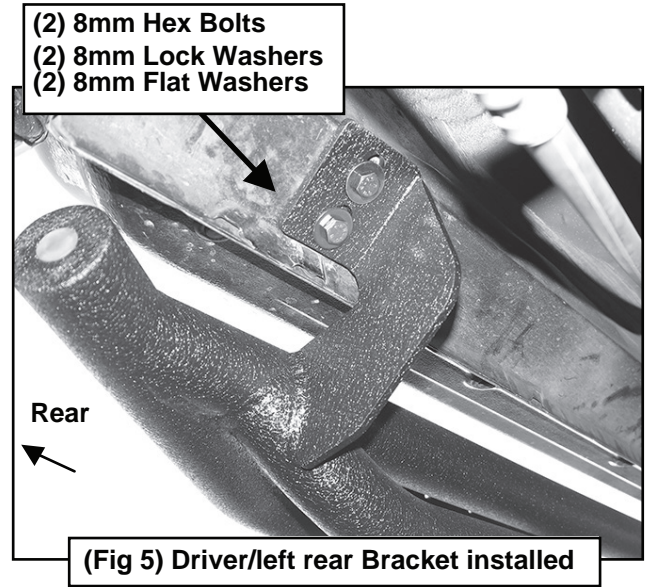
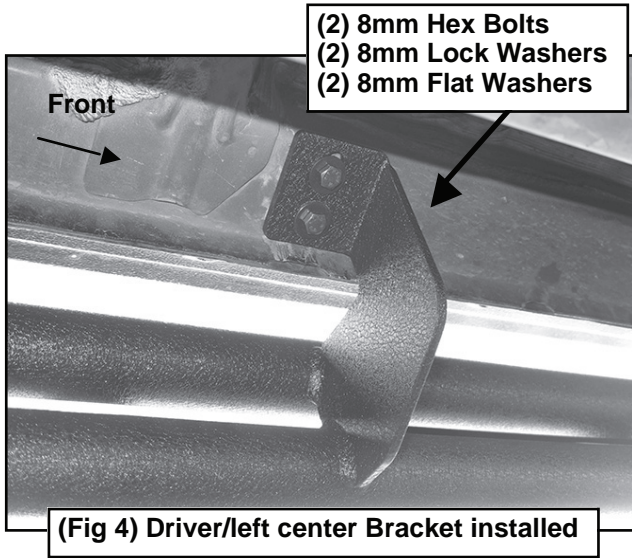
STEP 2

With assistance, line up the (3) mounting brackets on the Side Armor with the factory threaded holes in the bottom of the floor panel. Attach the Side Armor to the floor panel with the included (6) 8mm Hex Bolts, (6) 8mm Lock Washers and (6) 8mm Flat Washers, (Figures 1, 3-5). Leave hardware loose.





TYGER®



STEP 3

Adjust the position as necessary and fully tighten all hardware. Repeat Steps 1-3 for passenger/right Side Armor installation.

STEP 4

Do periodic inspections to the installation to make sure that all hardware is secure and tight.

