



# TYGER®

## TYGER ARMOR™

### BEFORE INSTALLATION

READ INSTRUCTIONS CAREFULLY BEFORE STARTING INSTALLATION. REMOVE CONTENTS FROM BOX AND VERIFY ALL PARTS ARE PRESENT. FAILURE TO IDENTIFY DAMAGE BEFORE INSTALLATION COULD LEAD TO A REJECTION OF ANY CLAIM. IF ANY DAMAGE FOUND, PLEASE TAKE A PICTURE FOR THE CLAIM PURPOSE.

### WARNING

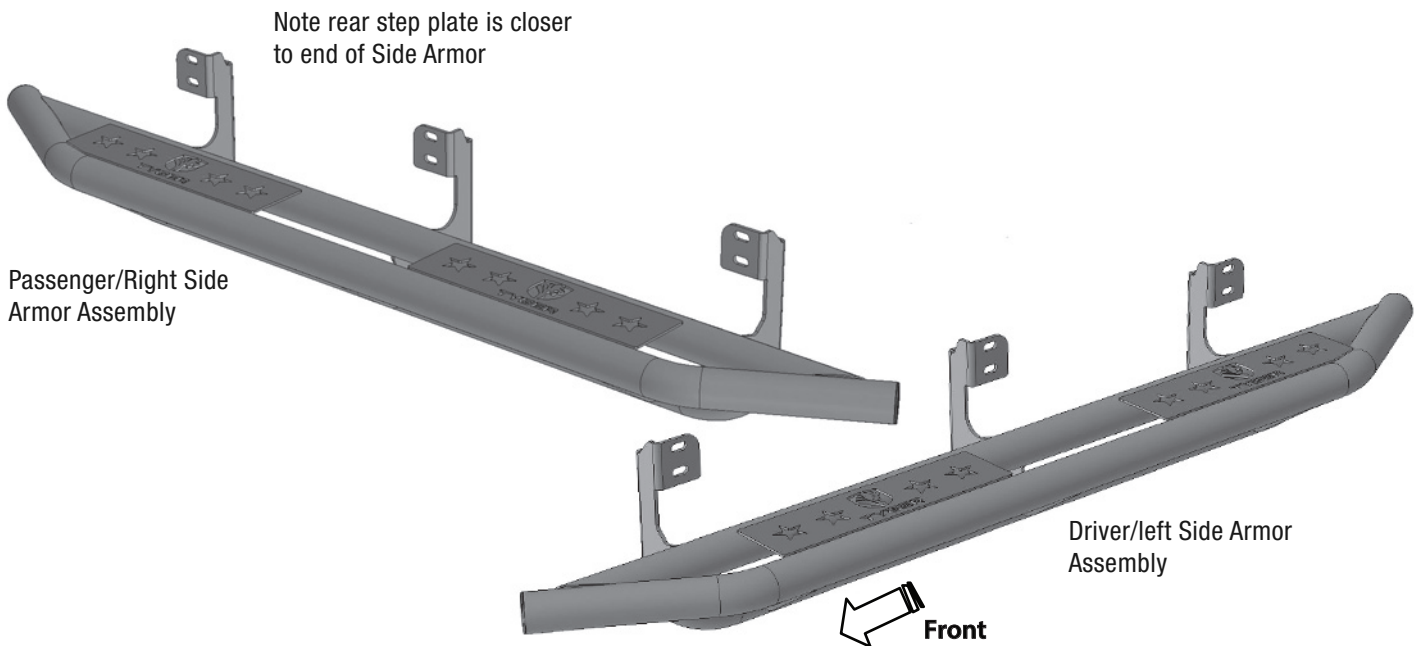
TO PROTECT YOUR INVESTMENT, WAX THIS PRODUCT AFTER INSTALLING. REGULAR WAXING IS RECOMMENDED TO ADD A PROTECTIVE LAYER OVER THE FINISH. DO NOT USE ANY TYPE OF POLISH OR WAX THAT MAY CONTAIN ABRASIVES THAT COULD DAMAGE THE FINISH. USE ONLY MILD SOAP TO CLEAN THE PRODUCT.

**TG-AM2N20338**

NOTE: Assistance is recommended for installation.

### Parts List

- x1 Driver Side Armor Assembly
- x1 Passenger Side Armor Assembly
- x12 8mm Nylon Lock Nuts
- x12 8mm x 24mm OD x 2mm Flat Washers

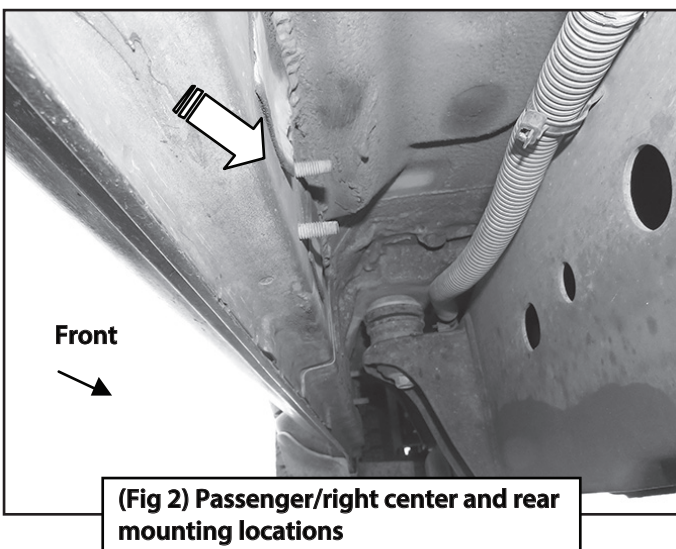
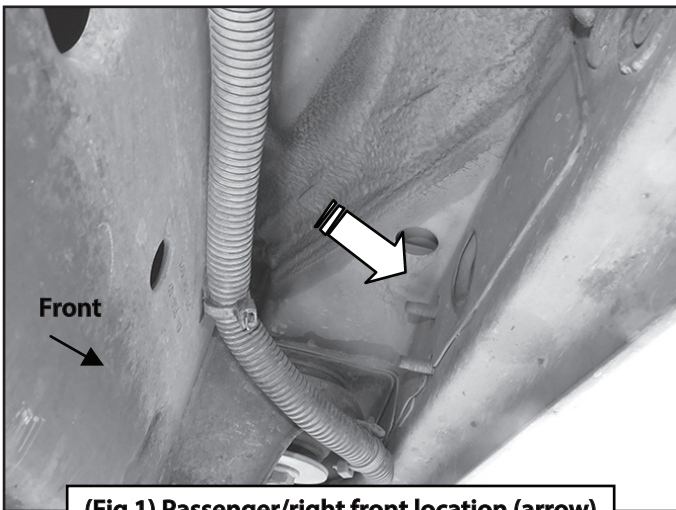




## STEP 1

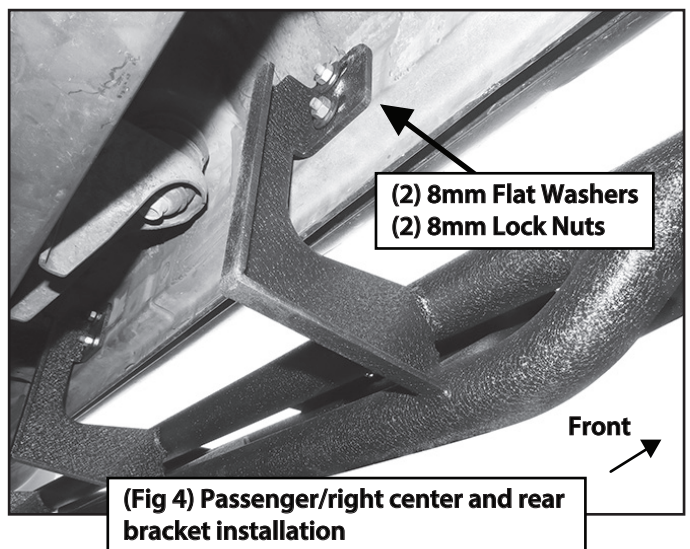
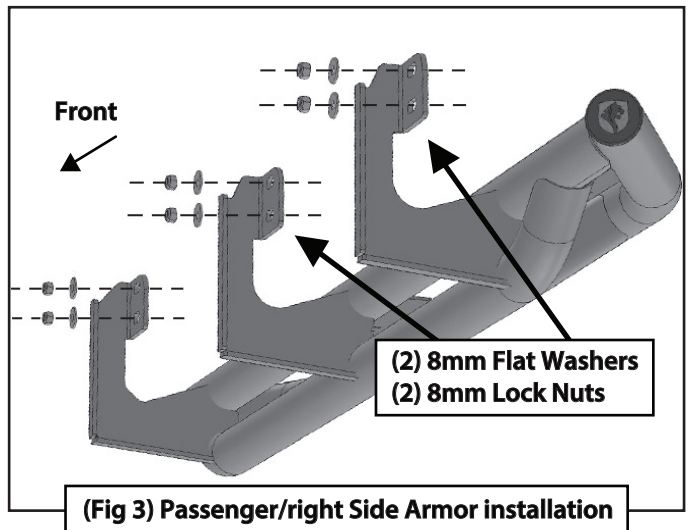
Starting on the passenger/right side of the vehicle, locate the factory running board mounting studs along the inner body panel, (Figs 1-2). Remove any paint or undercoating from the studs before starting installation.

**NOTE:** If necessary, hold the passenger/right Side Armor up in position to help locate correct mounting locations.



## STEP 2

With assistance, line up the (3) mounting brackets on the Side Armor with the factory threaded studs in the inner body panel. Attach the Side Armor to the studs with the included (6) 8mm Flat Washers and (6) 8mm Nylon Lock Nuts, (Figs 3-4). Leave hardware loose.





# TYGER<sup>®</sup>

## STEP 3

Adjust the position as necessary and fully tighten all hardware.

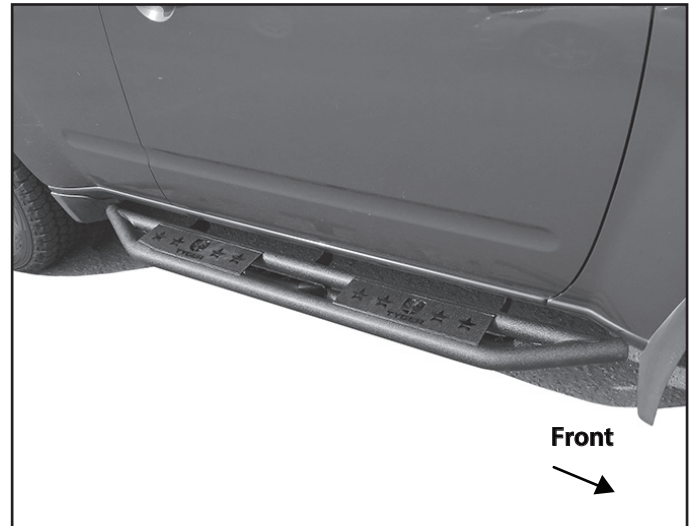
## STEP 4

Repeat Steps 1-3 for driver/left Side Armor installation.

## STEP 5

Do periodic inspections to the installation to make sure that all hardware is secure and tight.

## Complete Installation



Get in and out of your truck or SUV easier with running boards available on our website.