



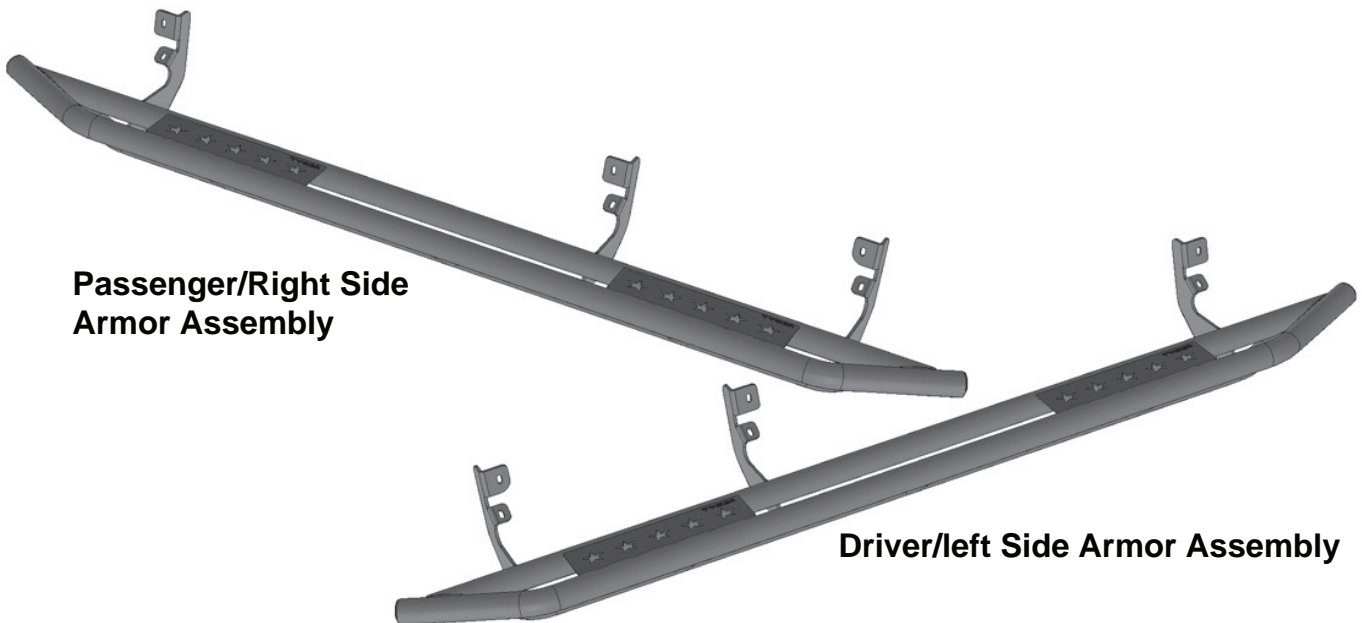
TYGER[®]

TG-AM2N20168

TYGER ARMOR™

Parts List

- | | | |
|--------------------------------|---|-------------------------------|
| x1 Driver Side Armor | x12 8-1.25mm x 30mm Hex Bolts | x6 8mm Nylon Lock Nuts |
| x1 Passenger Side Armor | x24 8mm x 24mm OD x 2mm STD Flat Washers | x12 8mm Lock Washers |



Before Installation

READ INSTRUCTIONS CAREFULLY BEFORE STARTING INSTALLATION. REMOVE CONTENTS FROM BOX AND VERIFY ALL PARTS ARE PRESENT. ASSISTANCE IS RECOMMENDED.

Warning

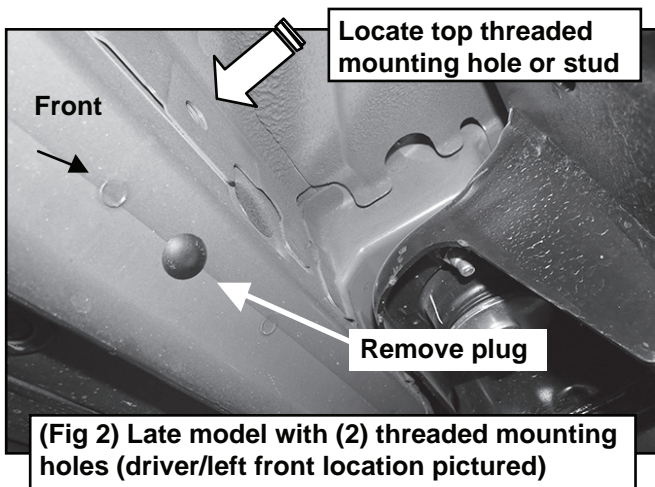
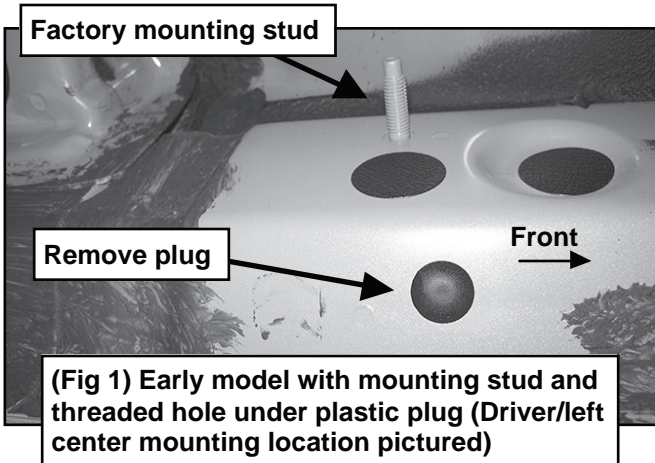
To protect your investment, wax this product after installing. Regular waxing is recommended to add a protective layer over the finish. Do not use any type of polish or wax that may contain abrasives that could damage the finish. Use only mild soap to clean the Side Armor.



TYGER®

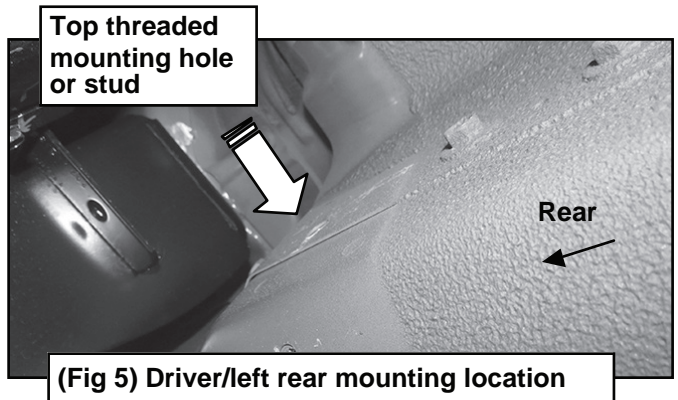
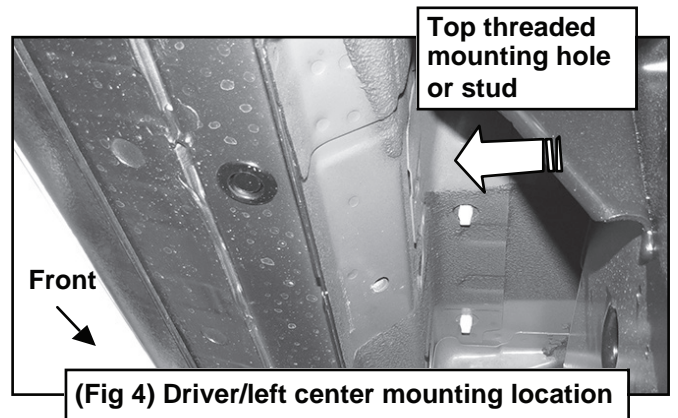
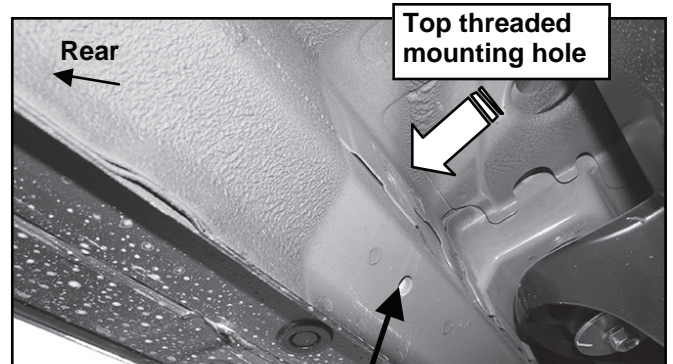
STEP 1

Starting on the driver/left side of the vehicle, locate the factory threaded hole in the bottom of the body panel, (Figure 1 & 2). NOTE: Hole may be covered with plastic plug. Remove plug, (Figure 3). Next, locate the upper threaded stud, (early models-Fig 1), or threaded mounting hole, (late models-Fig 2-5), directly above the lower mounting hole. NOTE Side Armor attaches to the factory mounting locations for side steps or running boards. Remove any paint or undercoating from the studs, (if equipped), before starting installation. If necessary, hold the driver/left Side Armor up in position to help locate mounting locations. NOTE: There are (4) locations along the cab, installation will use the first, 2nd and 4th (last) mounting locations only.



STEP 2

Move to the center, (2nd-Fig 4), and rear, (back of cab-Fig 5), mounting locations. Repeat Step 1 to prepare mounting locations for Side Armor installation.





TYGER[®]

STEP 3

With assistance, line up the (3) mounting brackets on the Side Armor with the factory threaded studs and/or threaded mounting holes along the inner body panel. Determine the correct hardware for your model year:

Early models with factory threaded stud in top position:

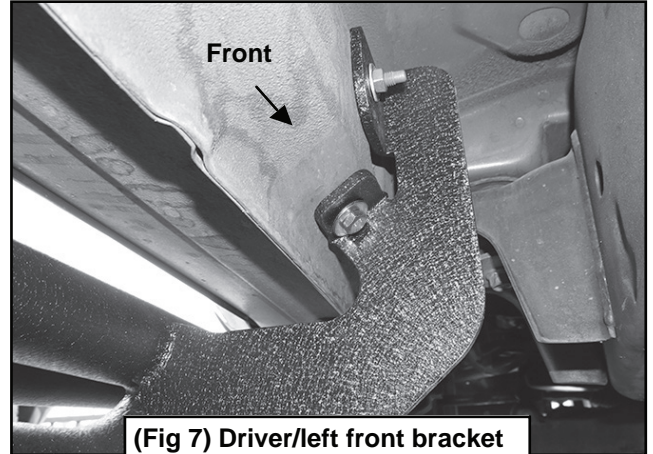
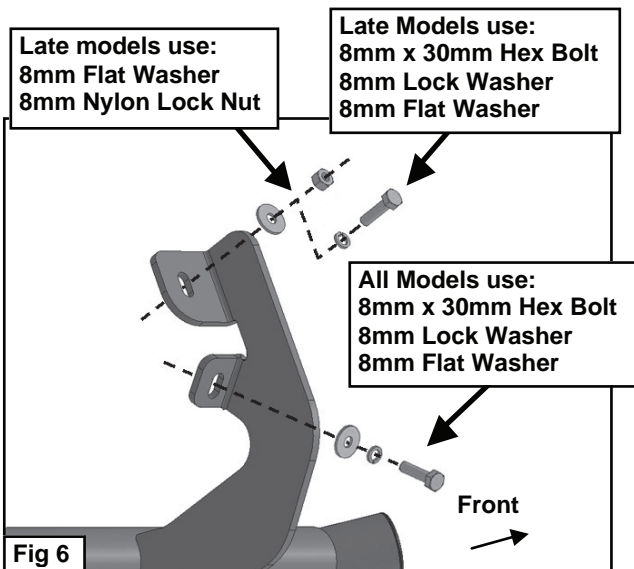
Attach the Side Armor to the threaded stud with (3) 8mm Flat Washers and (3) 8mm Nylon Lock Nuts, (Figures 6-9).

Late models with factory threaded mounting hole in top position:

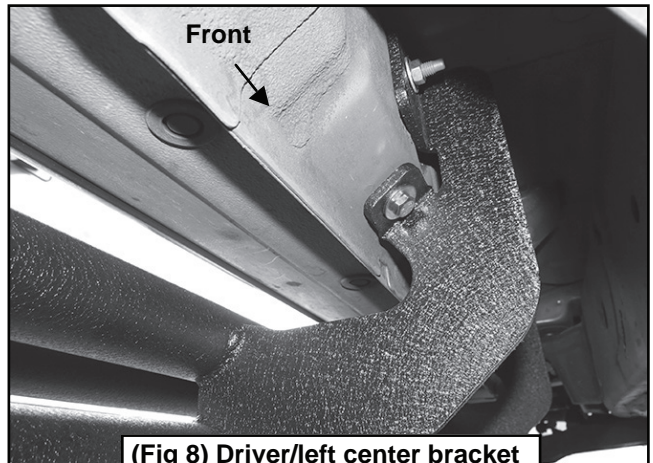
Attach the Side Armor to the threaded mounting holes with (3) 8mm Flat Washers, (3) 8mm Lock Washers and (3) 8mm x 30mm Hex Bolts, (Figure 6). Do not fully tighten at this time.

All model years, threaded mounting hole along bottom of body panel:

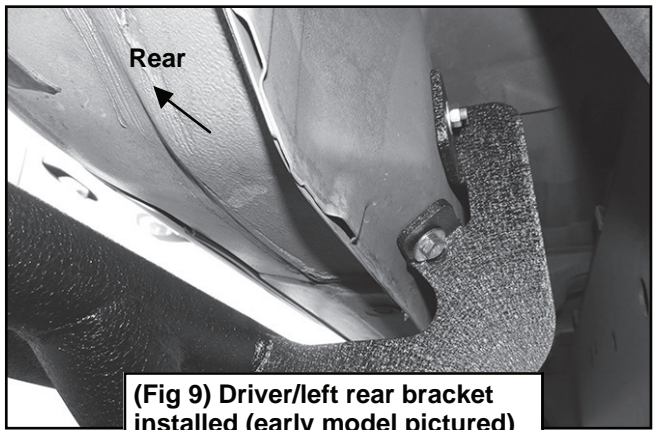
Attach the Side Armor to the threaded mounting hole along the bottom of the body panel with (3) 8mm Flat Washers, (3) 8mm Lock Washers and (3) 8mm x 30mm Hex Bolts, (Figures 6-9). Do not fully tighten at this time.



(Fig 7) Driver/left front bracket installed (early model pictured)



(Fig 8) Driver/left center bracket installed (early model pictured)



(Fig 9) Driver/left rear bracket installed (early model pictured)



TYGER[®]

STEP 4

Adjust the position as necessary and fully tighten all hardware.

STEP 5

Repeat Steps 1-4 for passenger/right Side Armor installation.

STEP 6

Do periodic inspections to the installation to make sure that all hardware is secure and tight.



Complete Installation