



TYGER[®]

TYGER ARMOR[™]

TG-AM2N20158

Parts List

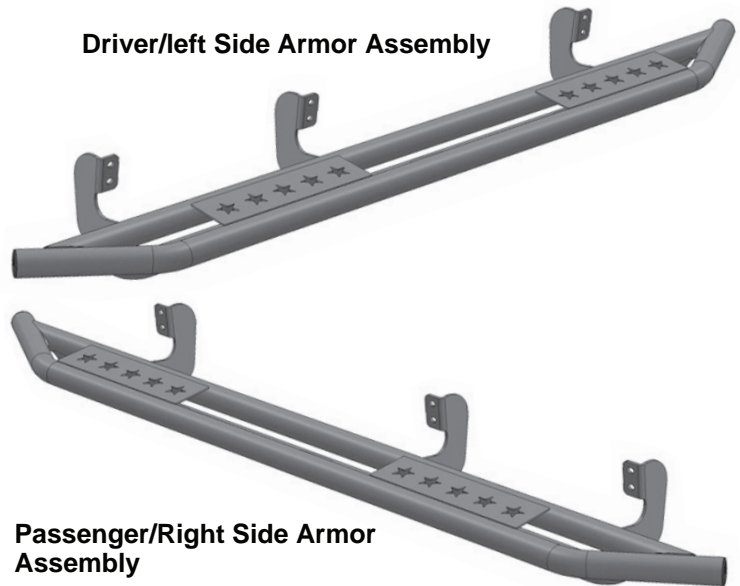
- x1** Driver Side Armor
- x1** Passenger Side Armor
- x12** 8mm Flange Nuts
- x12** 8mm x 24mm OD x 1.6mm Flat Washers

Before Installation

READ INSTRUCTIONS CAREFULLY BEFORE STARTING INSTALLATION. REMOVE CONTENTS FROM BOX AND VERIFY ALL PARTS ARE PRESENT. ASSISTANCE IS RECOMMENDED.

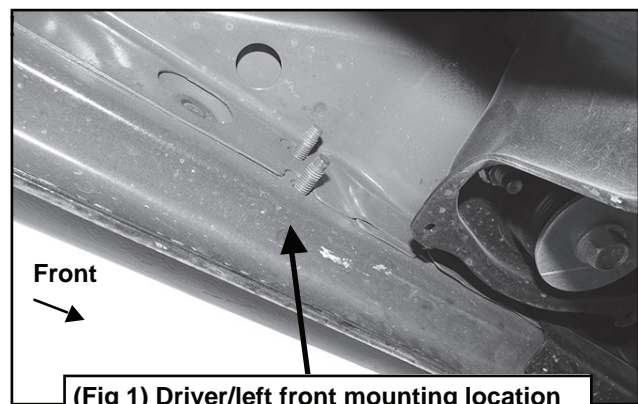
Warning

To protect your investment, wax this product after installing. Regular waxing is recommended to add a protective layer over the finish. Do not use any type of polish or wax that may contain abrasives that could damage the finish. Use only mild soap to clean the Side Armor.



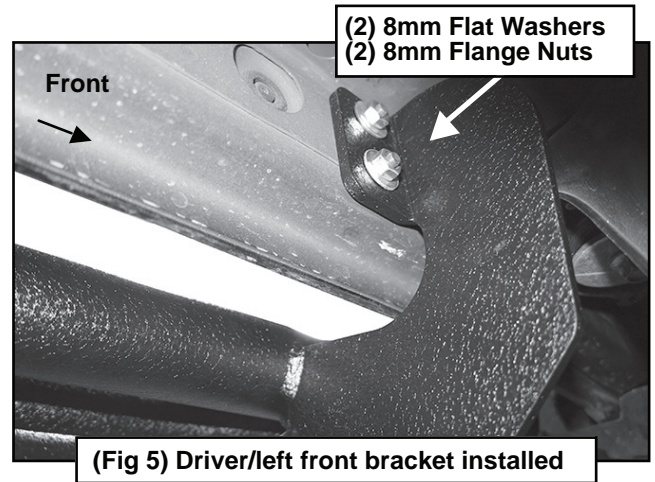
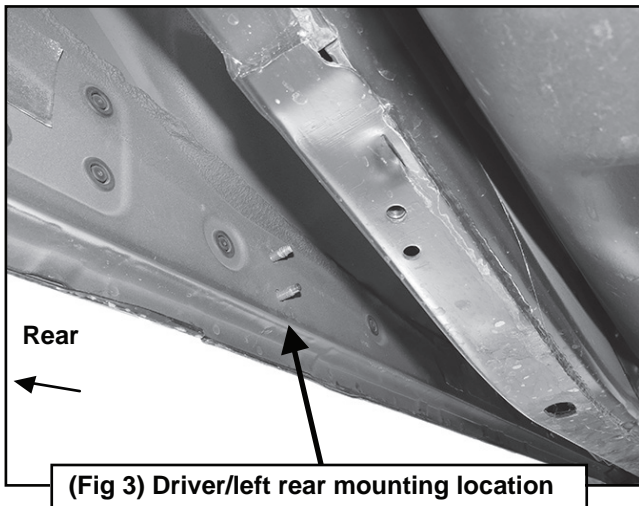
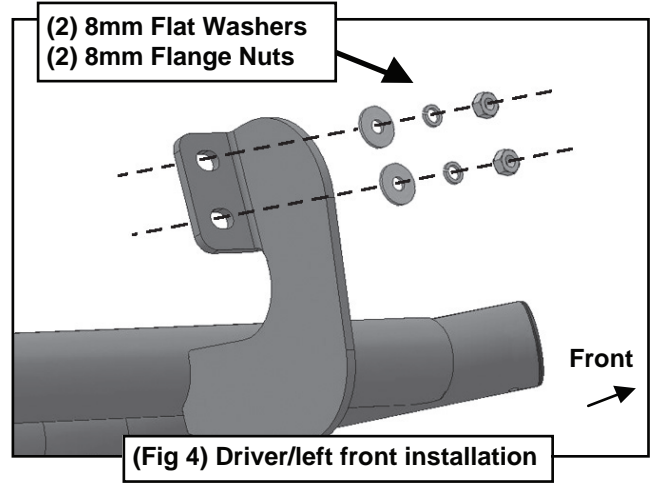
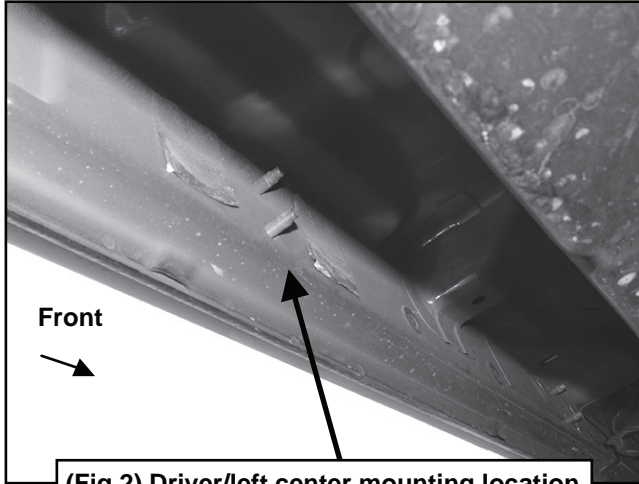
STEP 1

Starting on the driver/left side of the vehicle, locate the factory running board mounting studs along the inner body panel, (Figures 1-3). Remove any paint or undercoating from the studs before starting installation. NOTE: If necessary, hold the driver/left Side Armor up in position to help locate correct mounting locations.



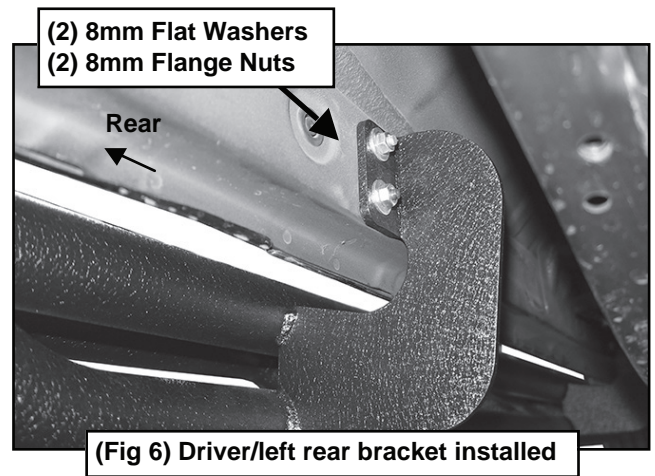


TYGER[®]



STEP 2

With assistance, line up the (3) mounting brackets on the Side Armor with the factory threaded studs in the inner body panel. Attach the Side Armor to the studs with the included (6) 8mm Flat Washers and (6) 8mm Flange Nuts, (Figures 4-6). Leave hardware loose.





TYGER[®]

STEP 3

Adjust the position as necessary and fully tighten all hardware.

STEP 4

Repeat Steps 1-3 for passenger/right Side Armor installation.

STEP 5

Do periodic inspections to the installation to make sure that all hardware is secure and tight.



Complete Installation