



TYGER®

STAR ARMOR™

BEFORE INSTALLATION

READ INSTRUCTIONS CAREFULLY BEFORE STARTING INSTALLATION. REMOVE CONTENTS FROM BOX AND VERIFY ALL PARTS ARE PRESENT. FAILURE TO IDENTIFY DAMAGE BEFORE INSTALLATION COULD LEAD TO A REJECTION OF ANY CLAIM. IF MISSING PARTS OR ANY DAMAGE FOUND, PLEASE TAKE A PICTURE FOR THE CLAIM PURPOSE.

WARNING

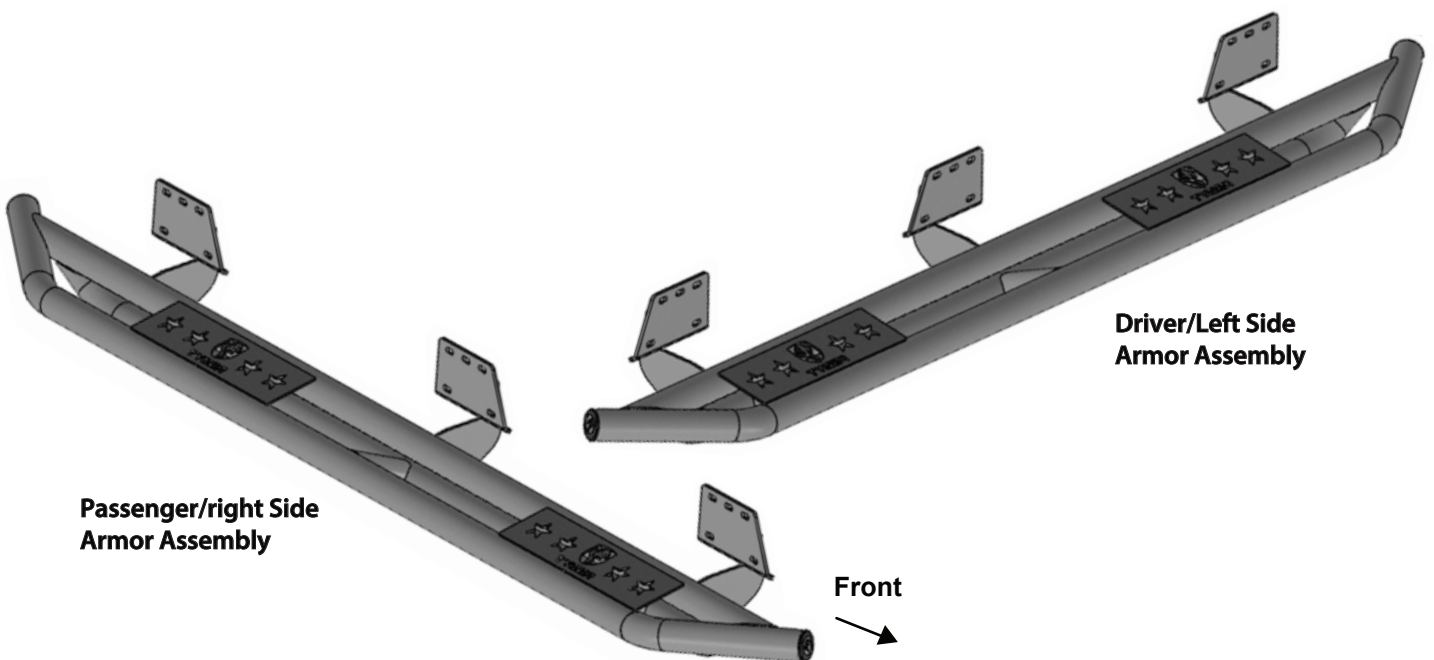
TO PROTECT YOUR INVESTMENT, WAX THIS PRODUCT AFTER INSTALLING. REGULAR WAXING IS RECOMMENDED TO ADD A PROTECTIVE LAYER OVER THE FINISH. DO NOT USE ANY TYPE OF POLISH OR WAX THAT MAY CONTAIN ABRASIVES THAT COULD DAMAGE THE FINISH.

TG-AM2D20608

NOTE: Assistance is recommended for installation.

Parts List

- x1 Driver/left side TYGER Armor
- x1 Passenger/right side TYGER Armor
- x18 8mm x 24mm x 2mm Flat Washers
- x18 8-1.25mm Nylon Lock Nuts



Passenger/right Side
Armor Assembly

Driver/Left Side
Armor Assembly

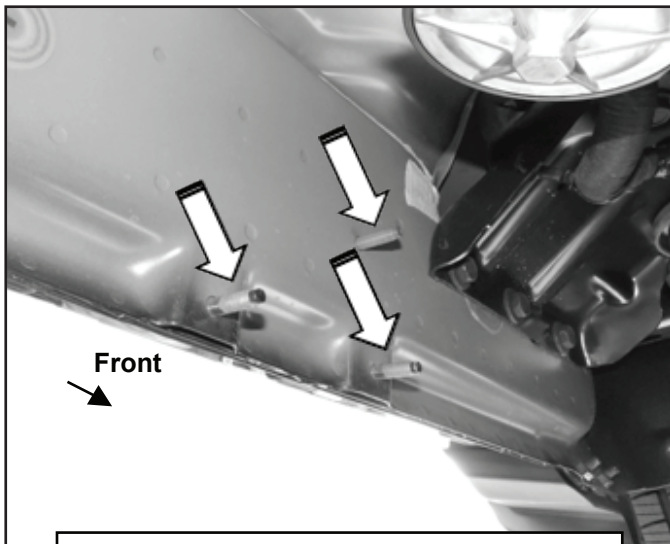
Front



STEP 1

Start the installation under the driver/left side of the vehicle. Locate the front (3) factory studs along the inner side of the body panel, (Fig 1).

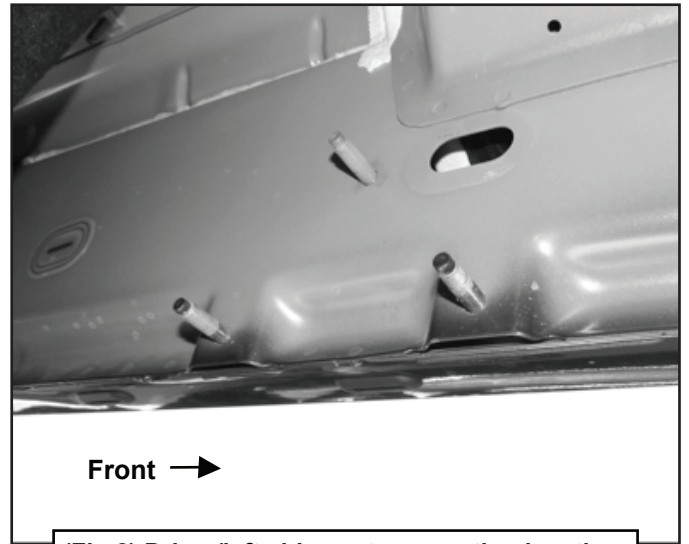
NOTE: Use a wire brush or die to remove paint buildup on the threaded studs.



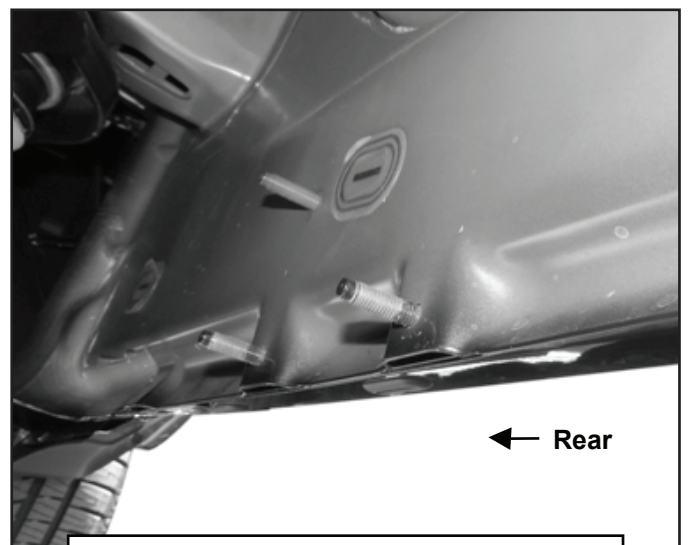
(Fig 1) Driver/left side front mounting location

STEP 2

Move along the body panel to the center and rear mounting locations and repeat Step 1, (Figs 2-3).



(Fig 2) Driver/left side center mounting location



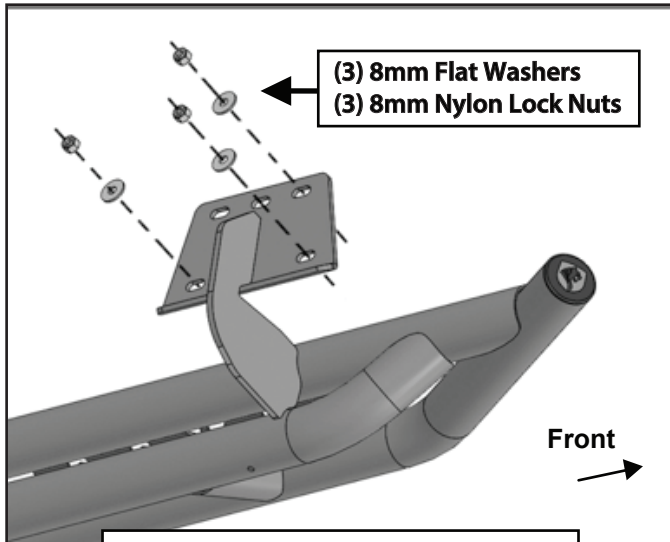
(Fig 3) Driver/left side rear mounting location



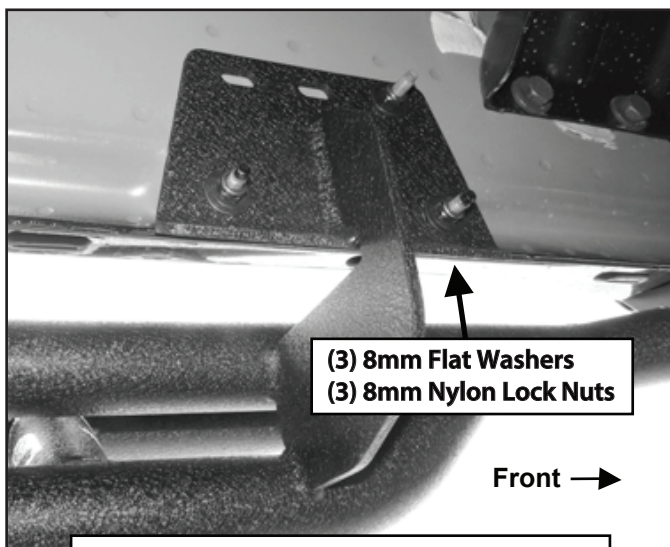
STEP 3

Carefully unwrap and select the driver/left Side Armor.

NOTE: The front stepping pad is closer to the front end of the Side Armor. Use the illustration above to help identify the correct Side Armor.



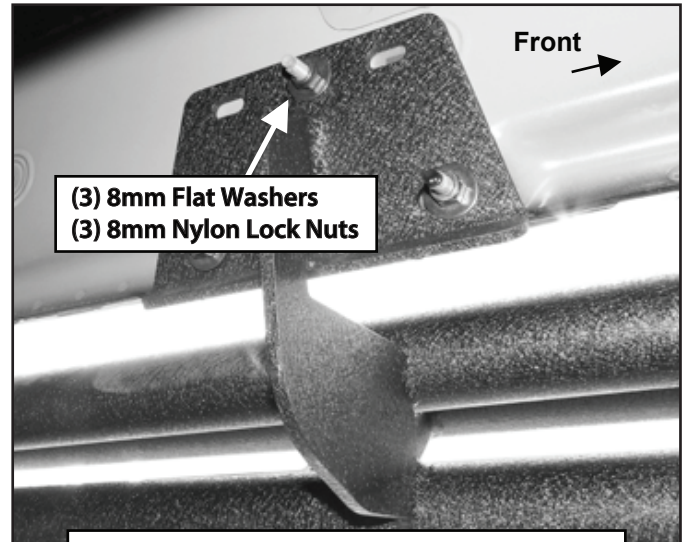
(Fig 4) Driver/left front welded bracket on Sidebar attached to rocker panel



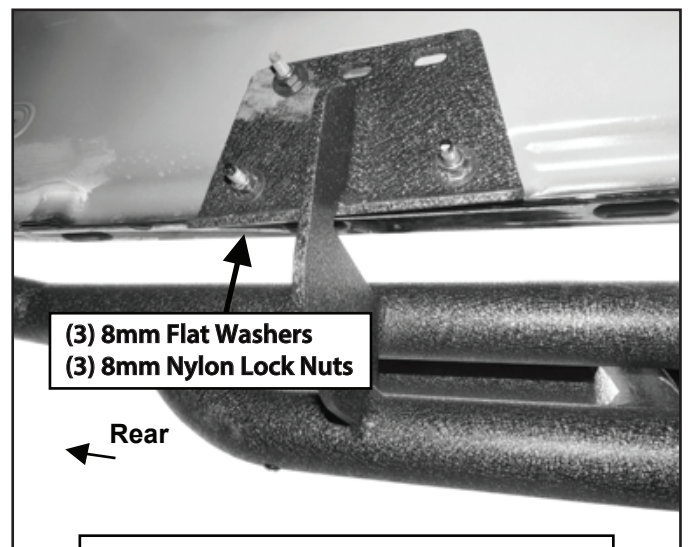
(Fig 5) Driver/left side front complete install

STEP 4

With assistance, attach the Brackets on the Side Armor to the (9) factory studs using (9) 8mm Flat Washers and (9) Nylon Lock Nuts, (Figs 4-7).



(Fig 6) Driver/left side center complete install



(Fig 7) Driver/left side rear complete install



TYGER[®]

STEP 5

Level and adjust the Side Armor properly and tighten all hardware.

STEP 6

Repeat Steps 1-5 for passenger/right Side Armor assembly installation.

STEP 7

Do periodic inspections to the installation to make sure that all hardware is secure and tight.

