



TYGER ARMOR™

BEFORE INSTALLATION

READ INSTRUCTIONS CAREFULLY BEFORE STARTING INSTALLATION. REMOVE CONTENTS FROM BOX AND VERIFY ALL PARTS ARE PRESENT. ASSISTANCE IS RECOMMENDED. FAILURE TO IDENTIFY DAMAGE BEFORE INSTALLATION COULD LEAD TO A REJECTION OF ANY CLAIM. IF ANY DAMAGE FOUND, PLEASE TAKE A PICTURE FOR THE CLAIM PURPOSE.

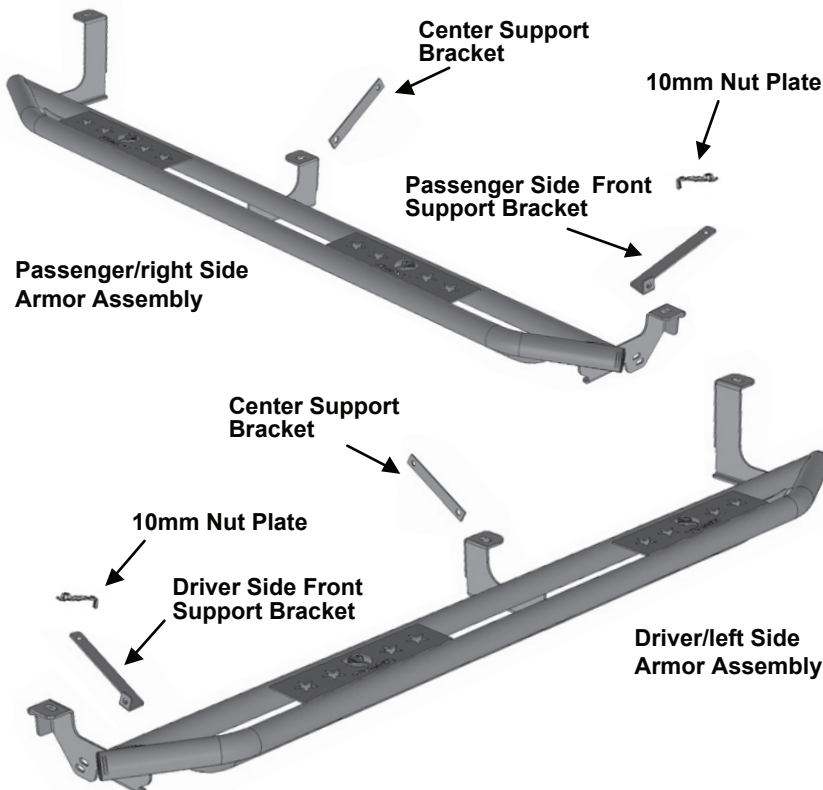
WARNING

TO PROTECT YOUR INVESTMENT, WAX THIS PRODUCT AFTER INSTALLING. REGULAR WAXING IS RECOMMENDED TO ADD A PROTECTIVE LAYER OVER THE FINISH. DO NOT USE ANY TYPE OF POLISH OR WAX THAT MAY CONTAIN ABRA-SIVES THAT COULD DAMAGE THE FINISH. USE ONLY MILD SOAP TO CLEAN THE TYGER ARMOR.

TG-AM2C20218

Parts List

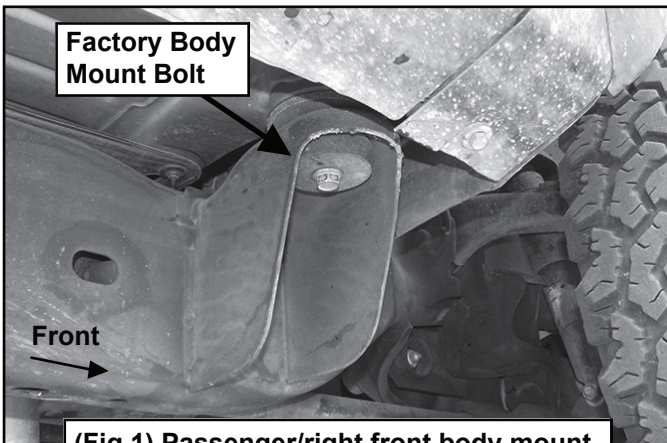
- x1 Driver/Left Side Armor Assembly
- x1 Passenger/Right Side Armor Assembly
- x1 Driver/Left Front Support Bracket
- x1 Passenger/Right Front Support Bracket
- x2 Center Support Brackets
- x2 10mm Nut Plates
- x2 12-1.75mm x 30mm Hex Bolts
- x4 12mm x 32mm x 3mm Flat Washers
- x2 12mm Lock Washers
- x2 12mm Hex Nuts
- x6 10-1.50mm x 30mm Hex Bolts
- x10 10mm x 20mm OD x 2mm Flat Washers
- x6 10mm Lock Washers
- x4 10mm Hex Nuts



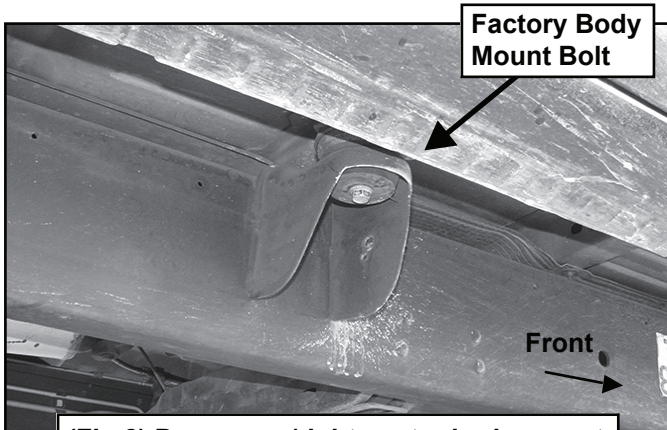


STEP 1

Start the installation under the passenger/right side of the vehicle and remove the long front, center and rear body mount bolts, (Fig 1 & 2). Do not remove bushings.



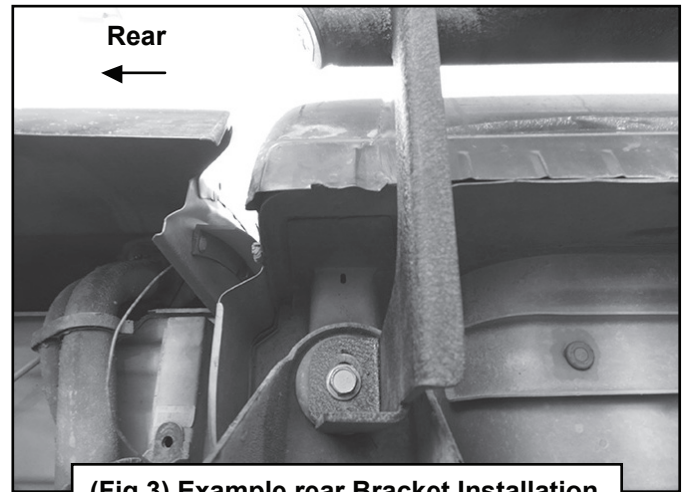
(Fig 1) Passenger/right front body mount



(Fig 2) Passenger/right center body mount

STEP 2

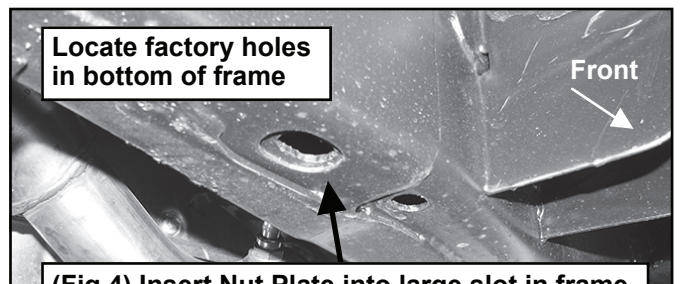
Carefully unpack the TYGER Armor and select the passenger side assembly. With assistance, hold the TYGER Armor up in place against the bottom of the body mounts. Reuse the factory body bolts to attach the TYGER Armor to the body mounts, (Fig 3). Do not tighten hardware at this time.



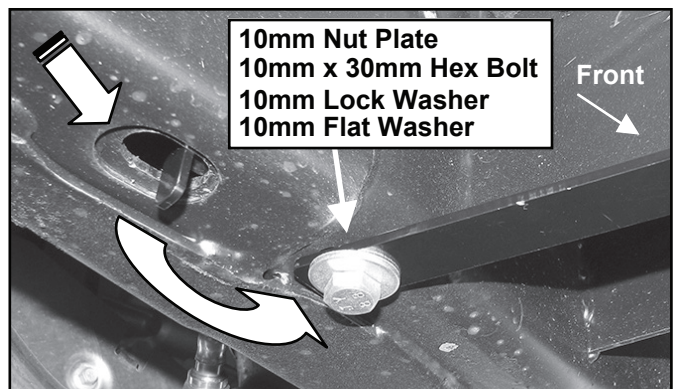
(Fig 3) Example rear Bracket Installation

STEP 3

Move to the passenger side front mounting location. Locate the two factory holes in the bottom of the frame towards the front of the vehicle, (Fig 4). Insert (1) 10mm Nut Plate into the oval hole and line up the threaded nut with the forward round hole, (Fig 5).



(Fig 4) Insert Nut Plate into large slot in frame

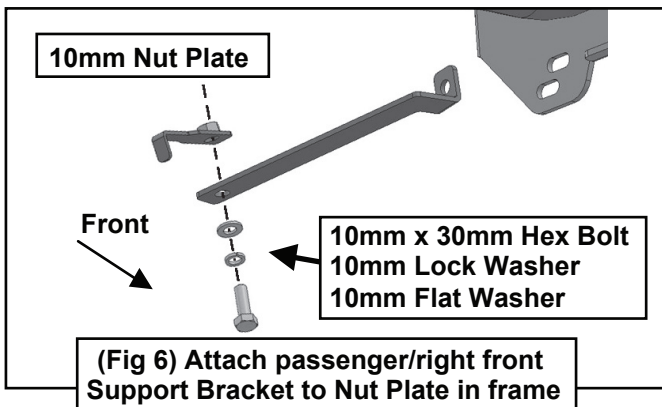


(Fig 5) Line up Nut Plate with small hole in frame



STEP 4

Select the passenger side front Support Bracket, (Fig 6). Attach the flat end of the Support Bracket to the Nut Plate with (1) 10mm x 30mm Hex Bolt, (1) 10mm Lock Washer and (1) 10mm Flat Washer, (Fig 5 & 6). Do not tighten hardware at this time.

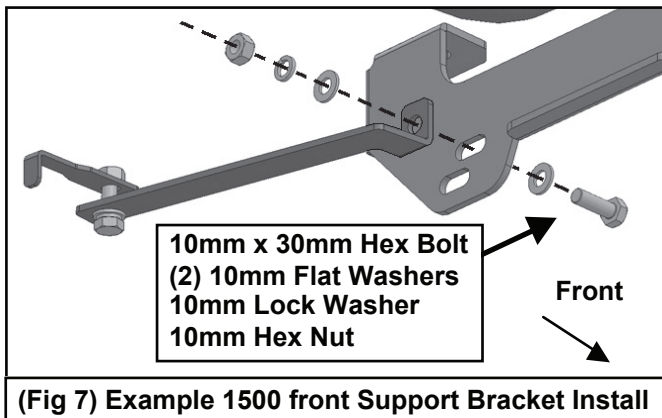


STEP 5

Determine the next procedure for your model and year.

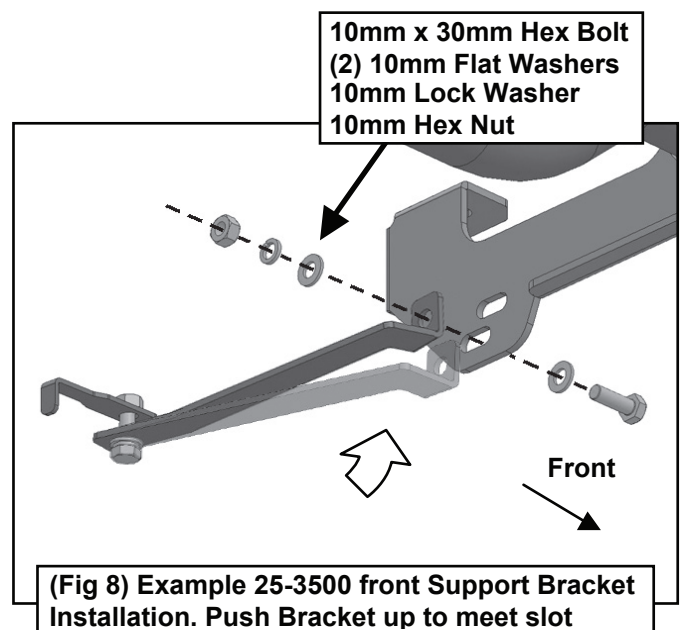
• All 1500 Models

Attach the bent end of the Front Support Bracket to the top hole in the Front Mounting Bracket with (1) 10mm x 30mm Hex Bolt, (2) 10mm Flat Washers, (1) 10mm Lock Washer and (1) 10mm Hex Nut, (Fig 7). Do not tighten at this time.

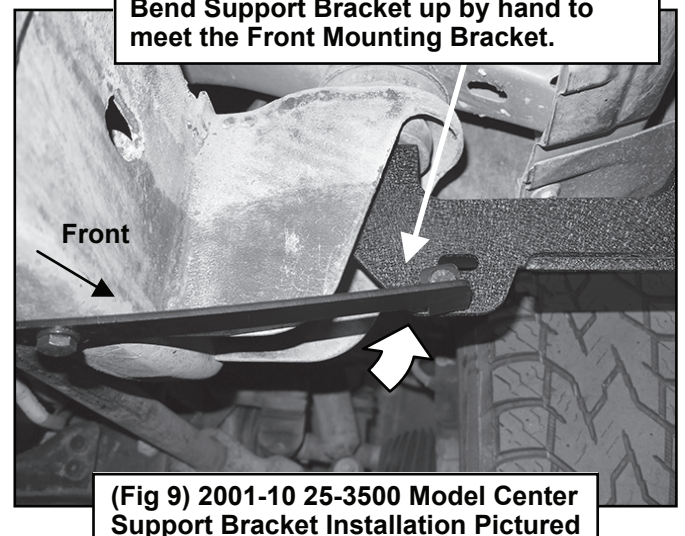


• 25-3500 Models only

Note that the Front Support Bracket will not reach up to the lower slot in the Mounting Bracket, (Fig 8). Tighten the Support Bracket to the Nut Plate in the frame. Carefully push up on the Support Bracket until it reaches the lower slot, (Fig 8 & 9). Attach the Support Bracket to the back of the Mounting Bracket with (1) 10mm x 30mm Hex Bolt, (2) 10mm Flat Washers, (1) 10mm Lock Washer and (1) 10mm Hex Nut, (Fig 9). Do not tighten at this time.



IMPORTANT NOTE: 25-3500 Model Front Support Bracket Installation Pictured Bend Support Bracket up by hand to meet the Front Mounting Bracket.

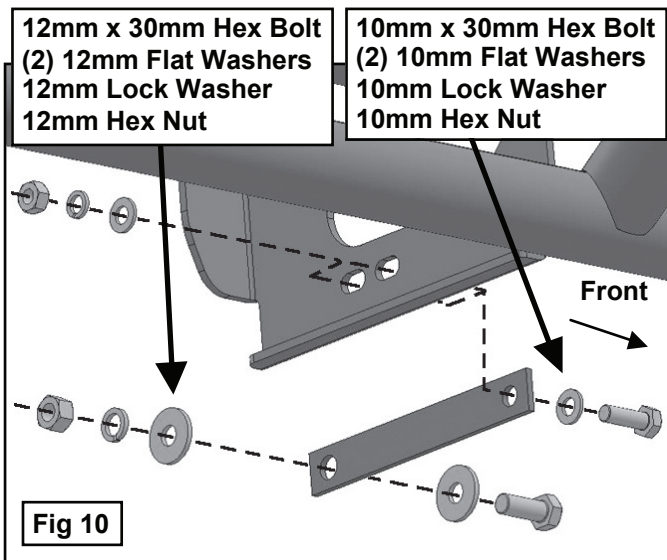




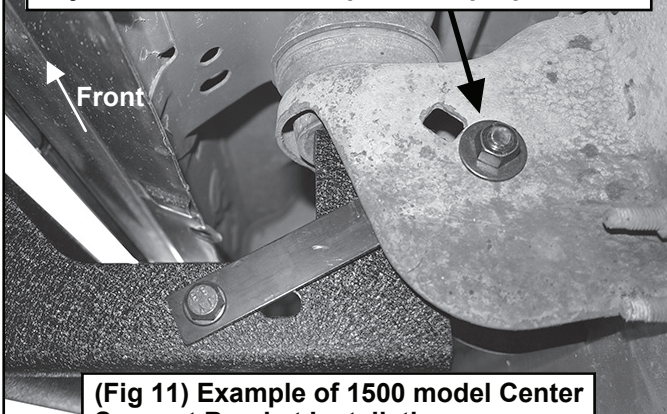
TYGER®

STEP 6

Move to the Center Mounting Bracket. Select (1) Center Support Bracket-note the two different sizes of mounting holes in the Bracket, (Fig 10). Slide the end of the Center Support Bracket with the larger mounting hole between the factory body mount and the Center Mounting Bracket, (Fig 11). Attach the Support Bracket to the factory hole or slot in the body mount using the included (1) 12mm x 30mm Hex Bolt, (2) 12mm Flat Washers, (1) 12mm Lock Washer and (1) 12mm Hex Nut, (Fig 10 & 11).



IMPORTANT: Models may be equipped with factory round holes, square holes or long slots. Adjust installation as required for proper fit



IMPORTANT: There are multiple slots in the Bracket to allow for several models/years of vehicles. Choose a mounting point for the Support Bracket that cannot come in contact with brake cables or wiring. Do not tighten hardware at this time.

NOTE: Larger hole on the Center Support Bracket attaches to inside of center body mount, (Fig 11).

STEP 7

Attach the opposite or outer end of the Support Bracket to either slot in the Center Bracket with (1) 10mm x 30mm Hex Bolt, (2) 10mm Flat Washers, (1) 10mm Lock Washer and (1) 10mm Hex Nut, (Fig 10 & 11). Do not tighten at this time.

STEP 8

Level and adjust the TYGER Armor and tighten all hardware. Repeat Steps 2-8 for driver/left Side Armor installation.

STEP 9

Do periodic inspections to the installation to make sure that all hardware is secure and tight.

