



# TYGER<sup>®</sup>

## TYGER ARMOR<sup>™</sup>

TG-AM2G20178

### Parts List

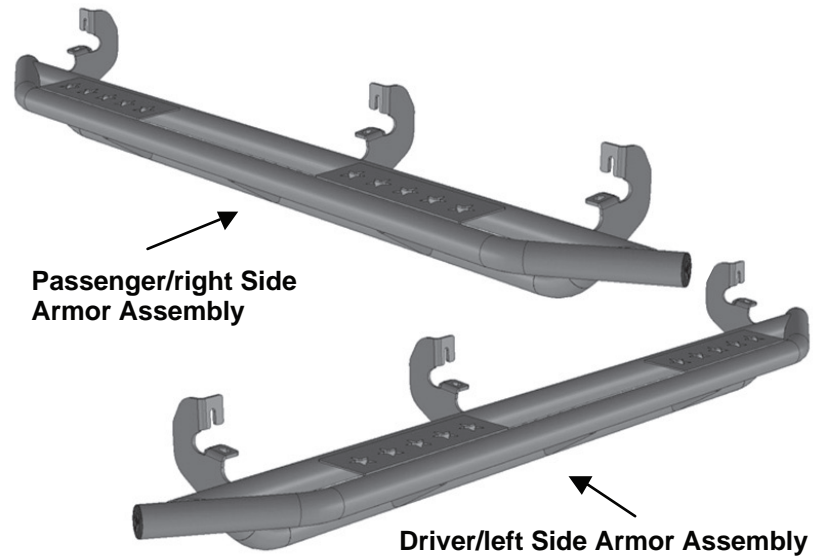
- x1** Driver Side Armor
- x1** Passenger Side Armor
- x12** 8-1.25mm Clip-On Nuts
- x12** 8-1.25mm x 30mm Hex Bolts
- x12** 8mm x 24mm x 2mm Flat Washers
- x12** 8mm Lock Washers

### Before Installation

READ INSTRUCTIONS CAREFULLY BEFORE STARTING INSTALLATION. REMOVE CONTENTS FROM BOX AND VERIFY ALL PARTS ARE PRESENT. ASSISTANCE IS RECOMMENDED.

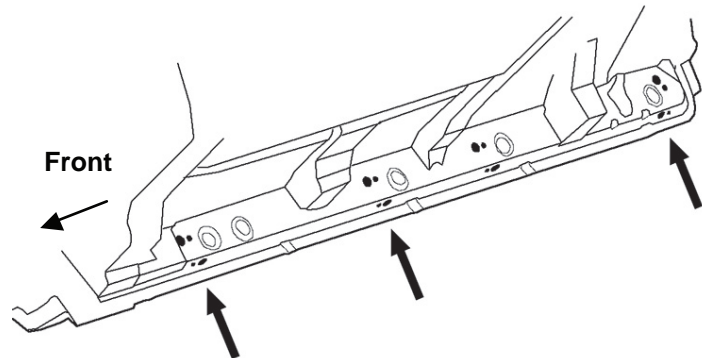
### Warning

To protect your investment, wax this product after installing. Regular waxing is recommended to add a protective layer over the finish. Do not use any type of polish or wax that may contain abrasives that could damage the finish. For gloss black finishes, use only mild soap to clean the Side Armor.



### STEP 1

Start the installation under the passenger side of the vehicle. Locate the (4) factory running board mounting locations along the bottom and inner side of the body panel, (Figures 1 & 2). NOTE: Installation will use the 1st, 2nd and 4th mounting locations. It may help to hold Side Armor assembly up in place to help determine the mounting holes to use. NOTE: Brackets must install flat against inner sheet metal, remove sealant or undercoating as necessary.



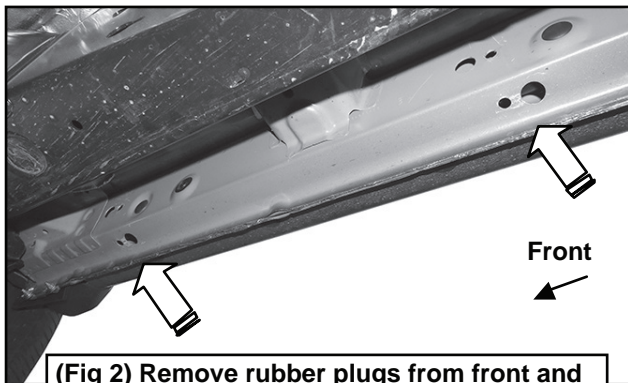
(Fig 1) Passenger side mounting locations along bottom and back of body panel illustrated



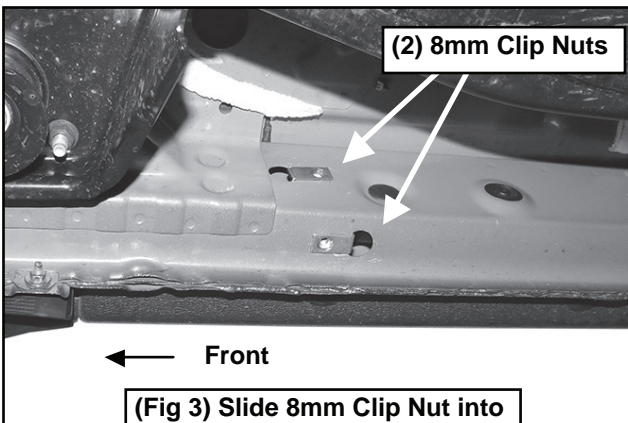
# TYGER<sup>®</sup>

## STEP 2

Remove rubber plugs from the front location, (Figure 2). Select (2) 8mm Clip Nuts. Slide each Clip Nut into the large hole and over the smaller hole next to it. Line up threaded nut on the Clip Nut with smaller hole in body panel, (Figure 3).



(Fig 2) Remove rubber plugs from front and center mounting locations (arrows)



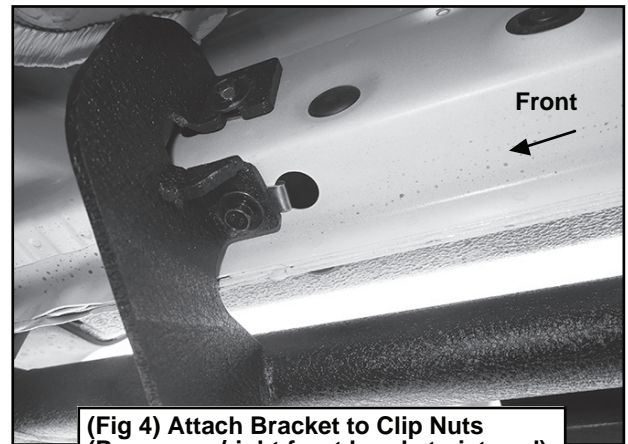
(Fig 3) Slide 8mm Clip Nut into large hole and over small hole

## STEP 3

Move to the next mounting location along the body. Repeat Steps 1 & 2 to install the Clip Nuts in the 2nd mounting location, (Figure 2).

## STEP 4

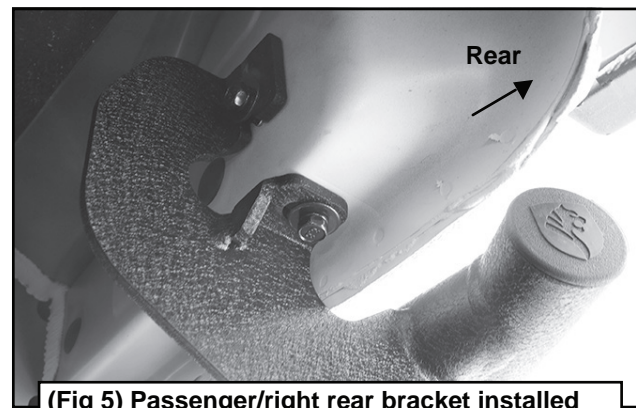
Next, locate the rear mounting location at the back of the cab, (Figure 4). Repeat Steps 1 & 2 to install the Clip Nuts in the last mounting location.



(Fig 4) Attach Bracket to Clip Nuts (Passenger/right front bracket pictured)

## STEP 5

Select the passenger/right Side Armor assembly. With assistance, attach the Brackets on the Side Armor to the (6) Clip Nuts with (6) 8mm Hex Bolts, (6) 8mm Lock Washers and (6) 8mm Flat Washers, (Figures 4 & 5). Do not fully tighten hardware.



(Fig 5) Passenger/right rear bracket installed



# TYGER<sup>®</sup>

## STEP 6

Level and adjust the Side Armor as necessary and fully tighten all hardware.

## STEP 7

Repeat Steps 1-6 for driver/left Side Armor installation.

## STEP 8

Do periodic inspections to the installation to make sure that all hardware is secure and tight.



**Complete Installation**