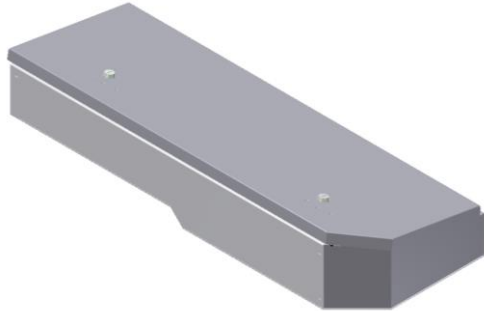




INSTALLATION INSTRUCTIONS

2007+ Chevy Silverado/GMC Sierra Crew-Cab Under Rear-Seat Lockbox #340

PARTS CHECKLIST



LOCKBOX #340



#16 MOUNTING
BRACKET (RIGHT)



#8 MOUNTING
BRACKET (LEFT)

SHIPPING PACKAGE CHECKLIST



#13.1 (4) 5/16" x 3/4" CARRIAGE BOLTS



#13.2 (4) 5/16" WING KNOB NUTS



#13.3 (4) 3/8" WASHERS

Tools needed for standard installation

- 18mm Socket and Ratchet

PLEASE READ ALL INSTRUCTIONS THOROUGHLY BEFORE STARTING INSTALLATION.

1. Remove all the contents from the shipping box and confirm that you have all the items listed above.
2. Flip both rear seats up so they are secured in the upright position.
3. Locate and remove the OEM Driver Side rear-seat mounting nut, and the OEM rear-seat mounting nut to the left (Driver's Side) of the seat split, you will reuse these.
4. Place the #340 Lockbox in the rear floor area.
5. Unwrap the #8 & #16 Mounting Brackets.
6. Install the #8 & #16 Brackets to the rear of the box as shown (tapered edges of brackets face center of vehicle) using the #13.1 Carriage Bolts, #13.3 Washers, and #13.2 Wing Knob Nuts. (See Figures #1 & #2)
NOTE: Do not tighten #13.2 Nuts as some adjustability is required in the next steps.
7. Place the obround holes of the mounting brackets over the threaded seat mount studs, and replace (but do not tighten) the nuts removed in Step #3.
8. Adjust the Lockbox's side to side position so that the right edge of the #340 Lid clears the right seat. This may be done by alternately opening the Lockbox lids and raising and lowering the rear seat, and adjusting to minimize interference.
9. Once the Lockbox is in its final position, the (4) #13.2 Wing Knob Nuts, and (2) OEM Nuts may be tightened.

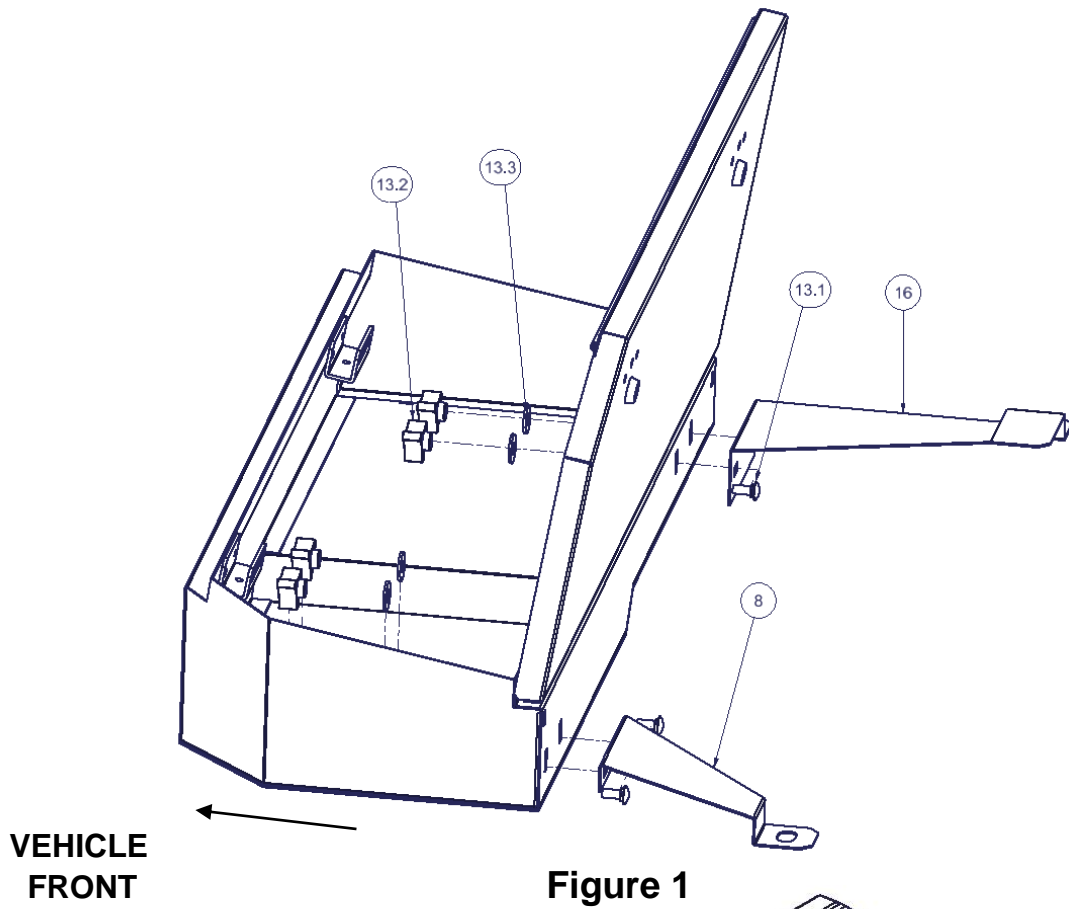


Figure 1

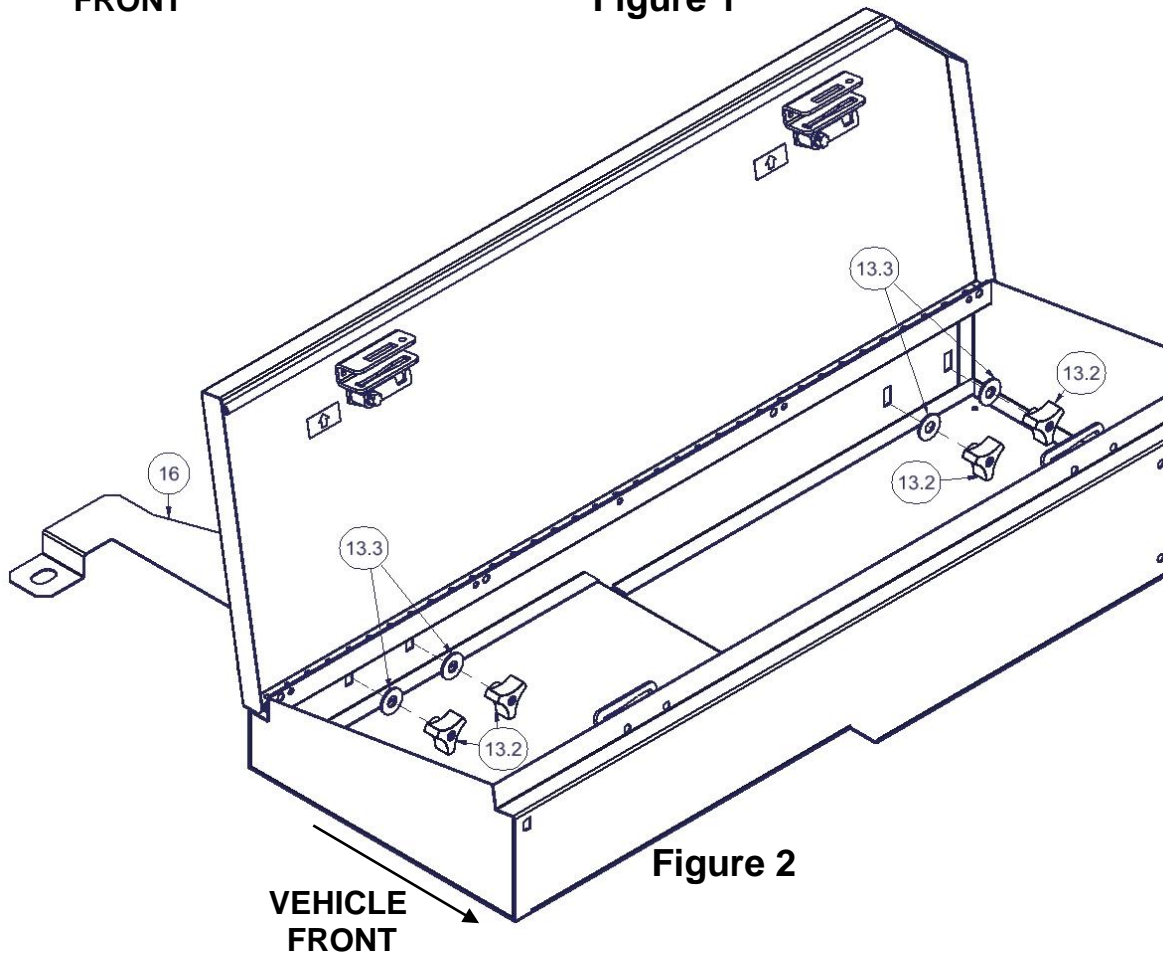


Figure 2