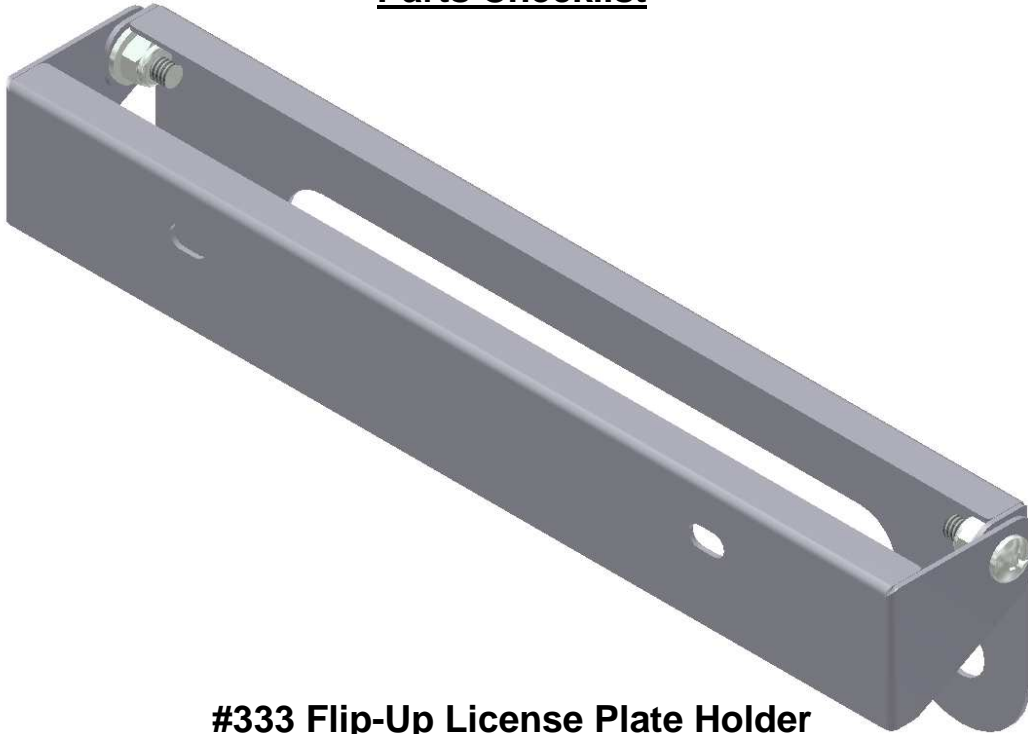




INSTALLATION INSTRUCTIONS

#333 Flip-Up License Plate Holder for Standard Hawse Fairleads(10" C/C)

Parts Checklist

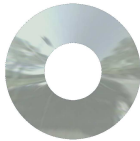


#333 Flip-Up License Plate Holder

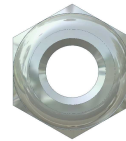
#333 Shipping Package



#4.2 (2) 1/4" Phillips head screws



#4.3 (2) 1/4" washers



#4.4 (2) 1/4" Nylon lock nuts

Tools required

- #2 Phillips Screwdriver
- 7/16" wrench

ATTENTION:

- ***THIS FLIP-UP LICENSE PLATE HOLDER WAS DESIGNED TO WORK WITH STANDARD HAWSE FAIRLEADS WITH 10" CENTER TO CENTER MOUNTING HOLES.***

Mounting Directions

1. Using appropriate tools loosen the mounting bolts of the hawse fairlead.
2. Remove one of the mounting bolts, and install the #333 Flip-Up License Plate Holder behind the fairlead, so that it pivots on the mounting bolt.
3. Remove the second mounting bolt and rotate the Holder into its final position.
4. Adjust the Holder/fairlead as necessary to ensure that they are level with the vehicle bumper/winch mount, and tighten the mounting bolts to maintain the Holder/fairlead in place.
5. Install your license plate onto the #333 Flip-Up License Plate Holder and fasten with the supplied #4.2 screws, #4.3 washers, and #4.4 nuts. (Figure 1, on Reverse Side)

FIGURE 1

