



INSTALLATION INSTRUCTIONS

2005+ Toyota Tacoma Double Cab Behind Rear Seat Cubby Cover #331

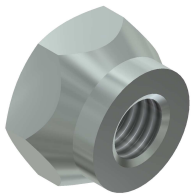
PARTS CHECKLIST



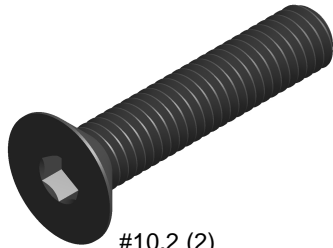
Cubby Cover #331

SHIPPING PACKAGE CONTENTS

(Included With Keys)



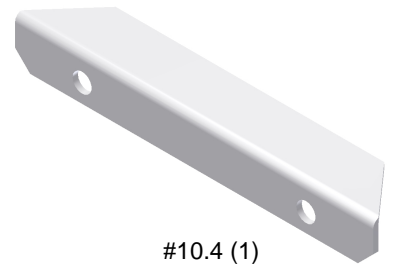
#10.1 (2)
#10-32 Nylock Nut



#10.2 (2)
M6 x 30mm(1 1/8") Cap Screw



#10.3 (2)
#10-32x 1/2" Cap Screw



#10.4 (1)
Upper Filler Bracket

Tools needed for standard installation:

•13mm Socket/Ratchet

•5/32" Hex Wrench

•3/8" End Wrench

•5/16" End Wrench/Socket

PLEASE READ ALL INSTRUCTIONS THOROUGHLY BEFORE STARTING INSTALLATION.

1. Remove all contents from the shipping box and confirm that you have all of the components listed above.

2. There is a formed gap at the top of the factory cubby that allows a child seat tether to be attached to the anchor within the cubby itself. To fill this gap, take the #10.4 Upper Filler Bracket from the key bag and install it to the back of the Cubby Cover using the #10.1 Nylock Nuts and the #10.3 Screws. (See Figure 1)

Note: The filler plate may be installed/removed as necessary, but the Cubby Cover must be removed from the vehicle to do so.

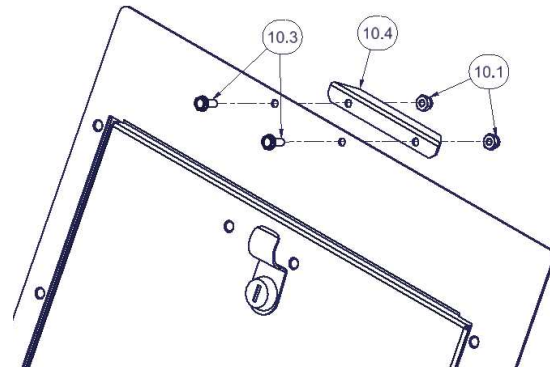


Figure 1

3. Remove the (2) OEM bolts that hold the plastic cubby in place, and store them for future use if you wish to return the vehicle to factory condition.(See Figure 2)

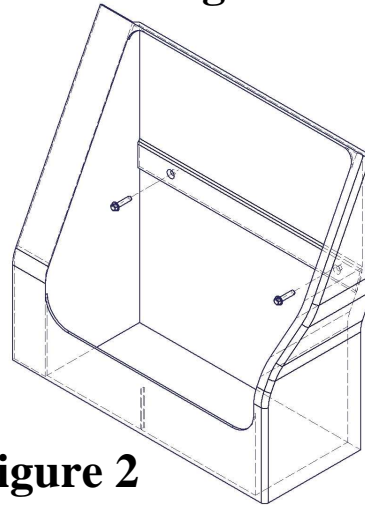


Figure 2

4. Install the Cubby Cover into the plastic cubby by slipping the lower flange into the cubby and lowering the Cubby Cover until the upper flange rests on the outer face of the cubby.(See Figure 3)

THIS FLANGE
RESTS ON
SURFACE

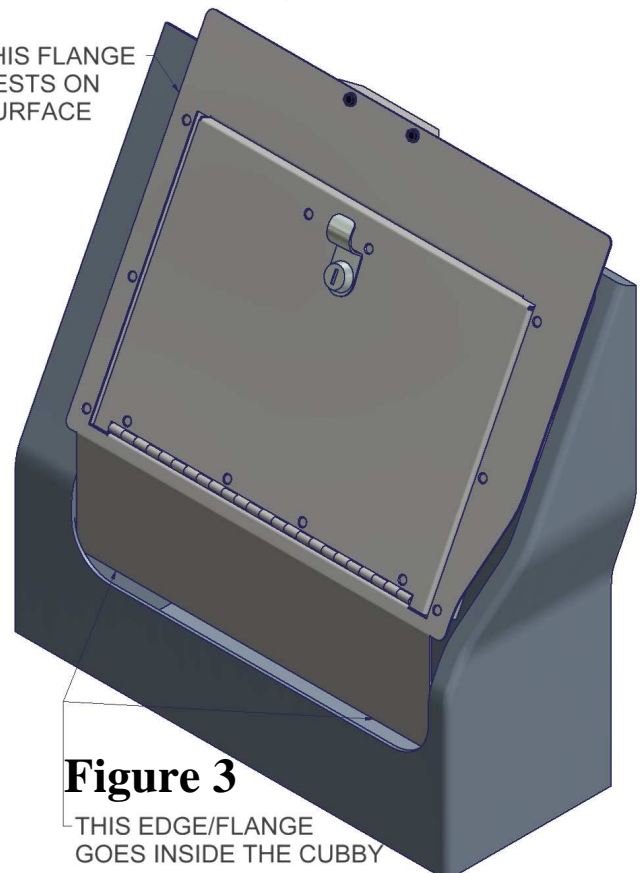


Figure 3

THIS EDGE/FLANGE
GOES INSIDE THE CUBBY

5. Open the lid and alternately rotate the mounting legs up into position, and loosely secure them in place using the #10.2 Cap Screws. (See Figure 4)
6. Lift the Cubby Cover into its final position (making sure there is no gap at the top of the cubby), and tighten the #10.2 Cap Screws.

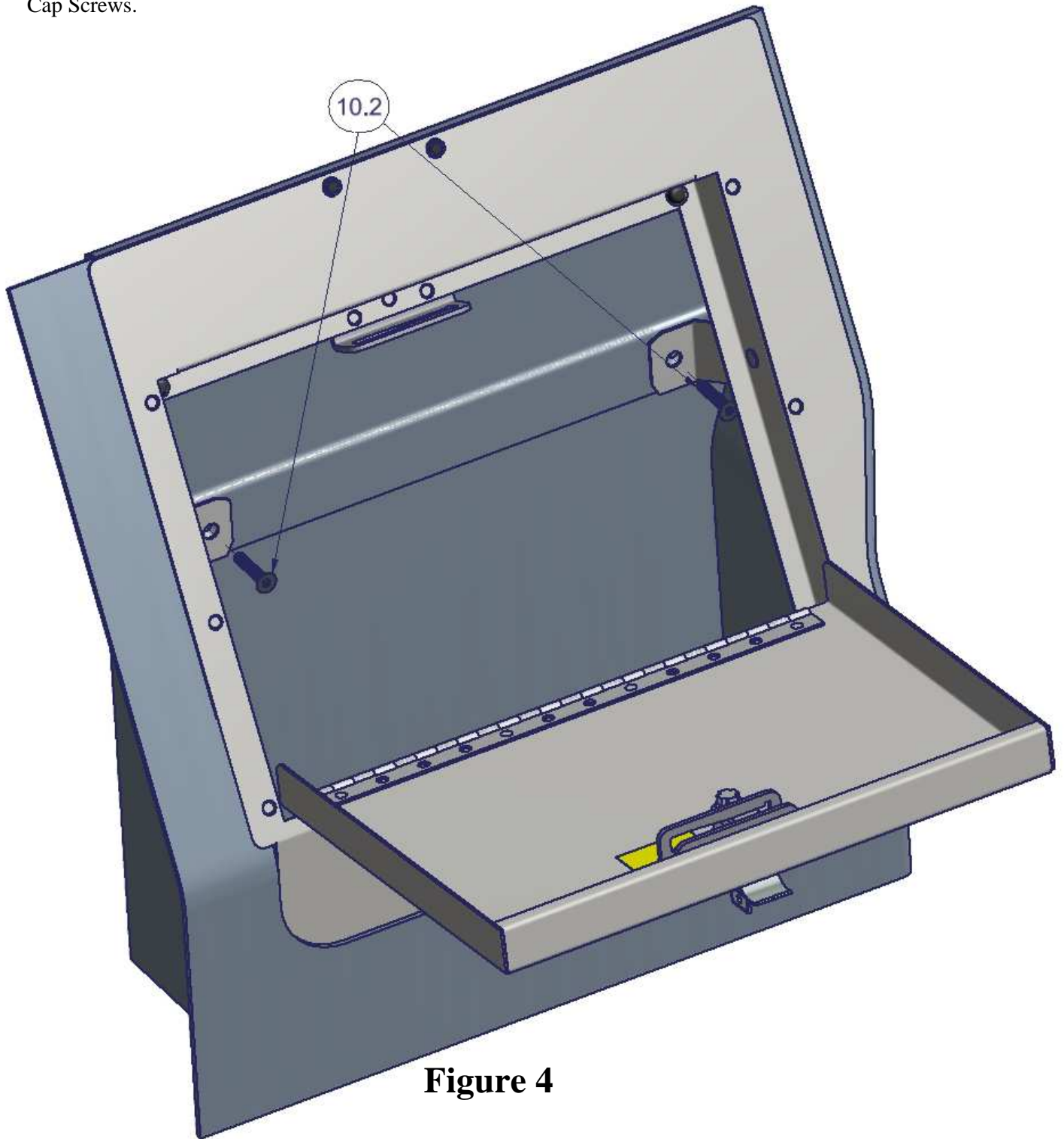


Figure 4