

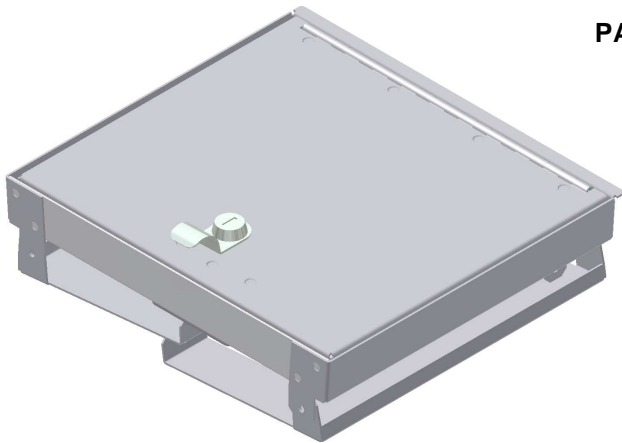


INSTALLATION INSTRUCTIONS

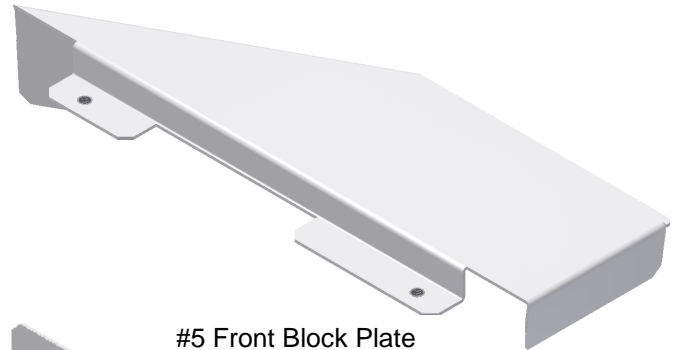
2014+ Toyota Tundra Console Insert #323

Fits Trucks with Flow-Thru Console

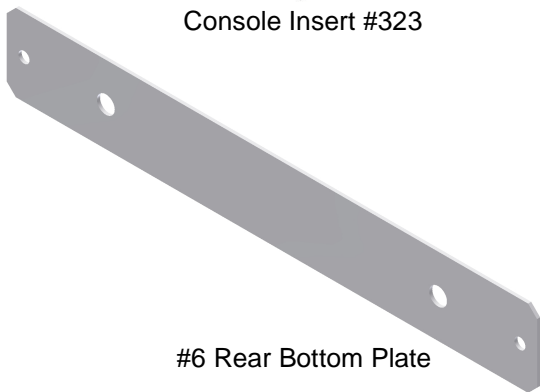
PARTS CHECKLIST



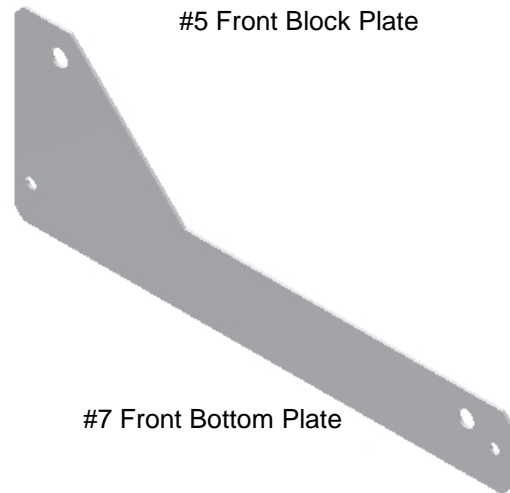
Console Insert #323



#5 Front Block Plate



#6 Rear Bottom Plate



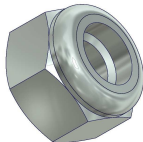
#7 Front Bottom Plate

SHIPPING PACKAGE CONTENTS

(Included With Plate Bundle)



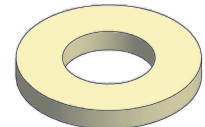
#12.1 (4)
#10-32 x 3/16" Screw



#12.2
1/4"-20 Nylock Nut



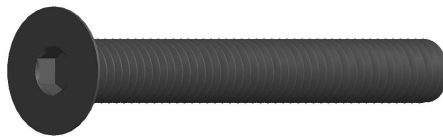
#12.3
1/4"-20x5/8" Cap Screw



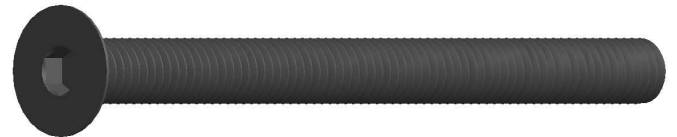
#12.4 (2)
1/4" Nylon Washer



#12.5 (2)
#10-32 x 3/8" Screw



#12.6 (2)
M6x50mm(2") Cap Screw



#12.7 (2)
M6x75mm(3") Cap Screw

Tools needed for standard installation:

•Phillips Head Screwdriver •5/32" Hex Wrench •7/16" End Wrench •10mm Socket/Ratchet •4mm Hex Wrench

PLEASE READ ALL INSTRUCTIONS THOROUGHLY BEFORE STARTING INSTALLATION.

1. Remove all contents from the shipping box and confirm that you have all of the components listed above.

2. Unlock the lid of the #323 Console Insert and rest on a flat surface, open the lid, expand the legs and attach the #6 and #7 Bottom Plates to the main body as shown in Figure 1, using (4) #12.1 screws.

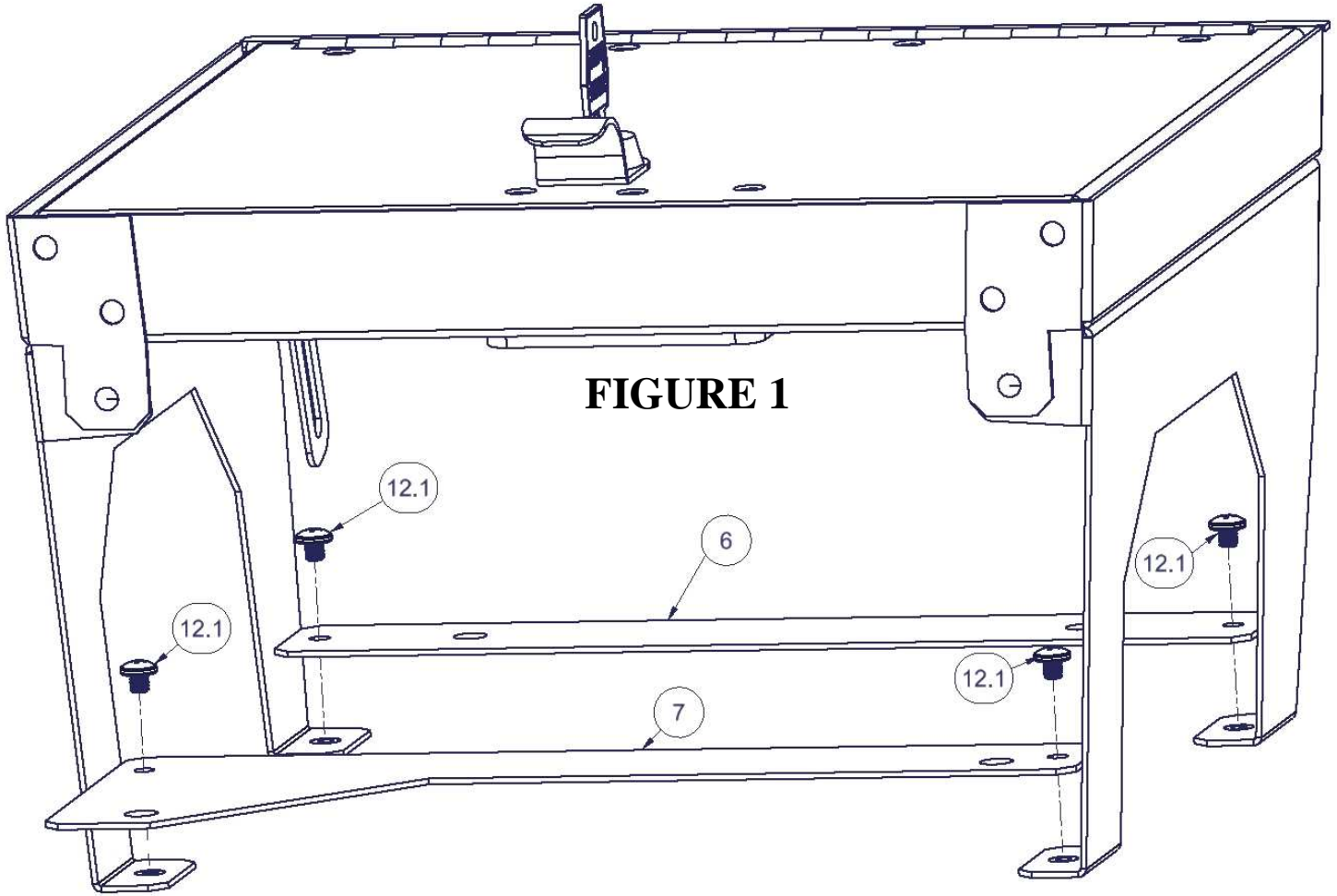


FIGURE 1

3. Assemble the lid support hardware, as shown in Figure 2. Tighten the hardware in small increments so that the lid remains supported as you require (usually self-supporting at a 45 degree lid angle).

NOTE: Second nylon washer (#12.4 shown below assembly in Figure 2) slips between moving slotted part, and stationary body.

NOTE: Over time the friction that holds the lid in the open position may be reduced as a result of use, and it may become necessary to tighten the assembly. Tighten in small increments and test by opening/closing the lid.

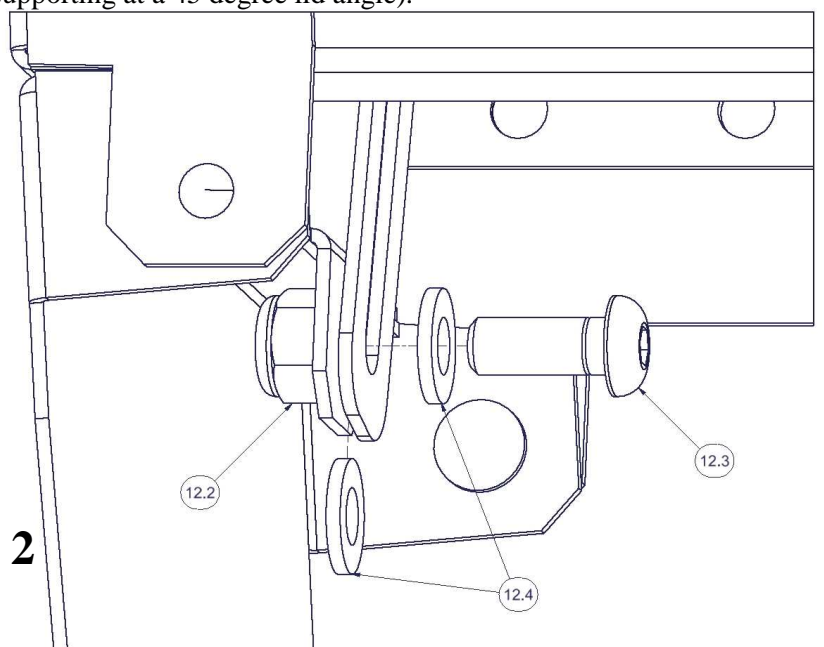


FIGURE 2

4. Install the #5 Front Block Plate to the Main Body using the #12.5 screws as shown in Figure 3.

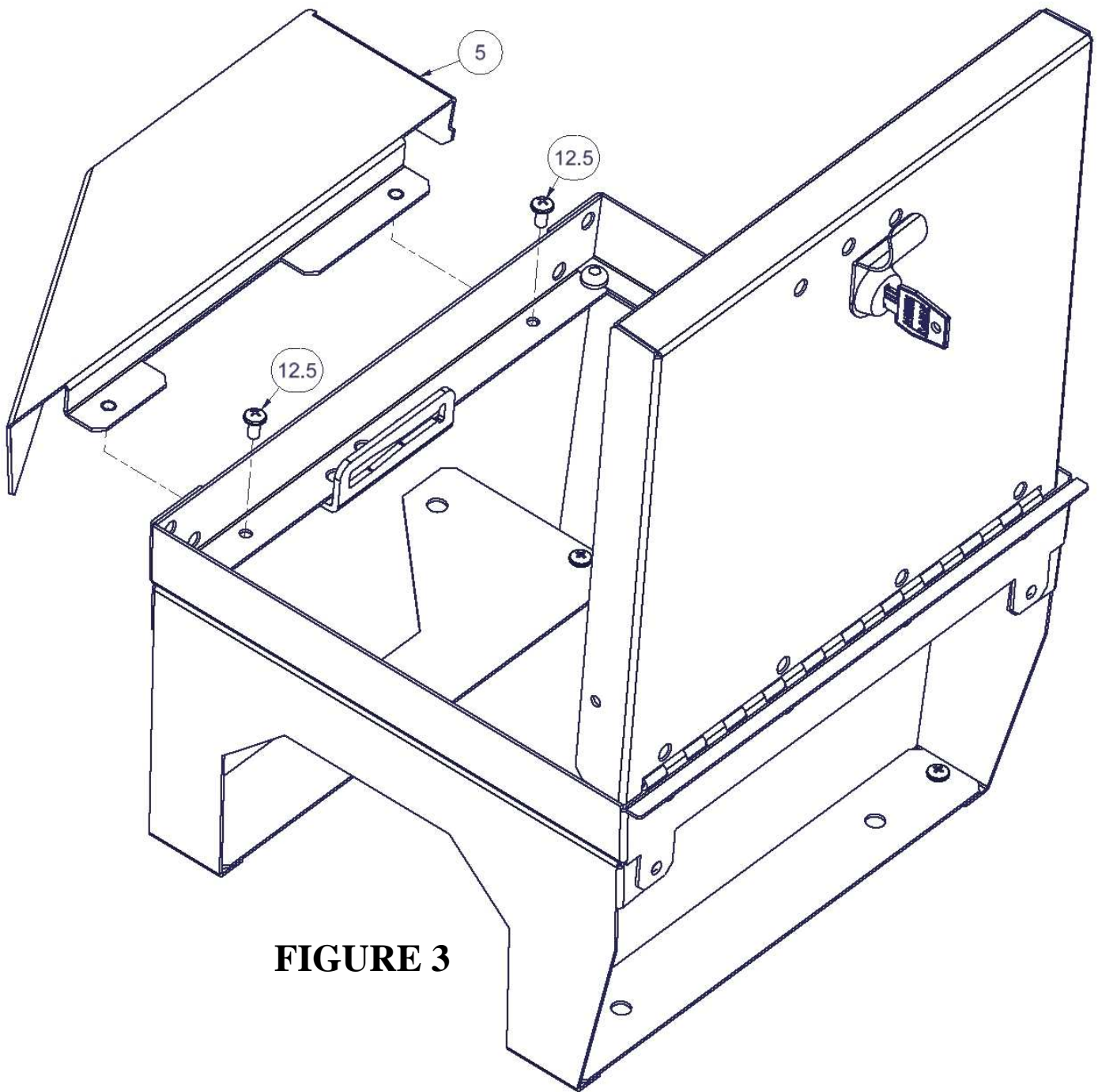
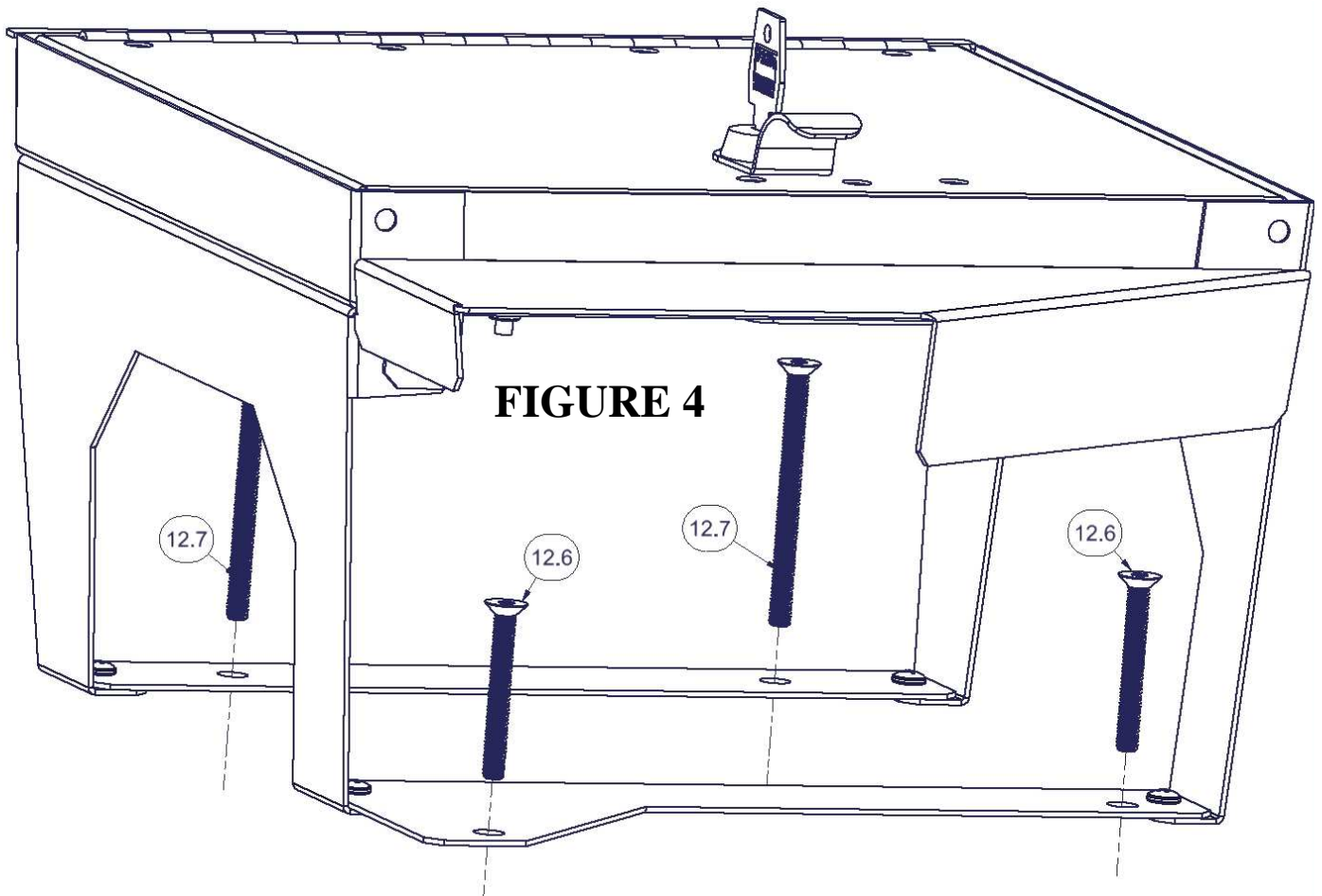


FIGURE 3

5. Remove the mat in the bottom of the factory console(set aside for reinstallation), and remove the (4) OEM mounting bolts that secure the console to the vehicle. Set them aside to return the vehicle to stock configuration if required.
NOTE: Rear bolts will most likely require a socket with extension.
6. Lower the fully assembled 323 Console Insert into place with the lock toward the front of the vehicle.

7. Install the (2) #12.6 screws(2") into the mounting holes of the #7 Front Bottom Plate, and the (2) #12.7 screws(3") through the #6 Rear Bottom Plate and tighten evenly to secure Console Insert in place(Figure 4).



8. Reinsert the Bottom Mat (removed in Step 5) to cover the screw heads and bottom plates.