



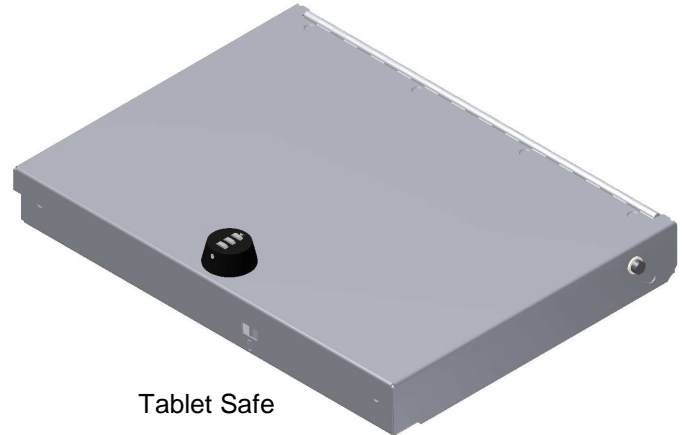
# INSTALLATION/USAGE INSTRUCTIONS

## TABLET SAFE #318

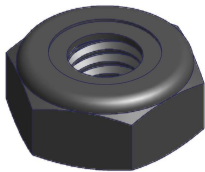
### PARTS CHECKLIST



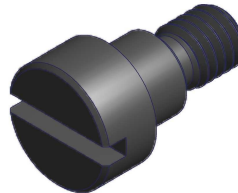
#6.6 Lanyard



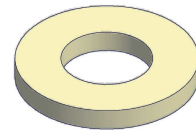
Tablet Safe



#5.2 (1)#10-32 Low Profile Locknut



#5.3 (1)#10-32 Slotted Shoulder Bolt



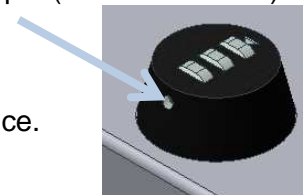
#5.1 (1)1/4" Nylon Flat Washer

## Usage and Mounting Instructions:

### Changing the Combination:

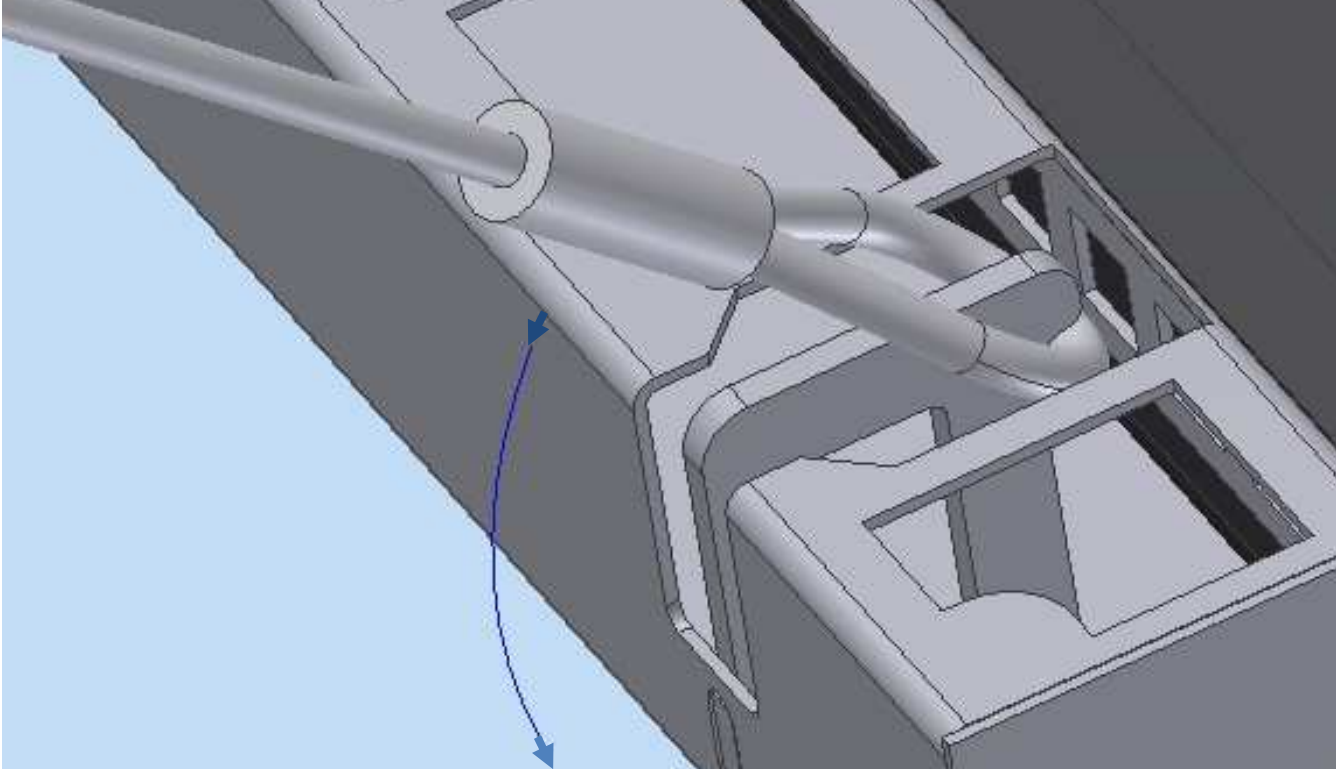
**ATTENTION:** The combination lock is shipped from the factory set with the code >0-0-0< and we recommend that you change the combination for security purposes.

1. Set the combination to the current opening combination. (Factory setting is >0-0-0<)
2. On the outer edge of the knob there is a hole that houses the code reset pin (See Photo Inset). Rotate the knob until the code reset pin comes into view.
3. Depress the code reset pin with a paperclip and **continue holding it in.**
4. Set your personal combination by turning the dials to the desired sequence.
5. Release the reset pin and your combination is set.
6. To lock, rotate knob to the "locked" position. Rotate one or more dials after lock is closed. To open the lock, turn the dials to your personal combination, and rotate knob.



### **Installing the Lanyard into the Safe:**

1. Insert a looped end of the #6.6 Lanyard into the front section of the box at a 45deg angle between the post and rear flange.(See Below). Hooking the loop under the bulge in the post.



2. Rotate lanyard down over the post.
3. Repeat steps 1 & 2 with other end of lanyard if required.
4. Close and latch lid to secure lanyard in position.

### **Inserting a Charging Cord(Optional):**

**There are two slots(See Figure 1, Page 3) designed to allow a cord of up to ¼” diameter to enter the front of the safe while still maintaining the security of the enclosure.**

1. Unlock and open your Tablet Safe.
2. Provide a route for the charging cord by either cutting a slit in the desired location in the vertical portion of the bottom foam or by pulling the corner of the foam back.
3. Route the charging cord into the safe through either of the large openings on the sides of the lock and lanyard areas (See Figure 1), and through the space provided in Step 2.
4. Once the cord is in place, reapply the foam to the vertical surface(if applicable).
5. Slip the cord into the cord slot to insure that the lid does not pinch it when closing.
6. Close and secure the lid.

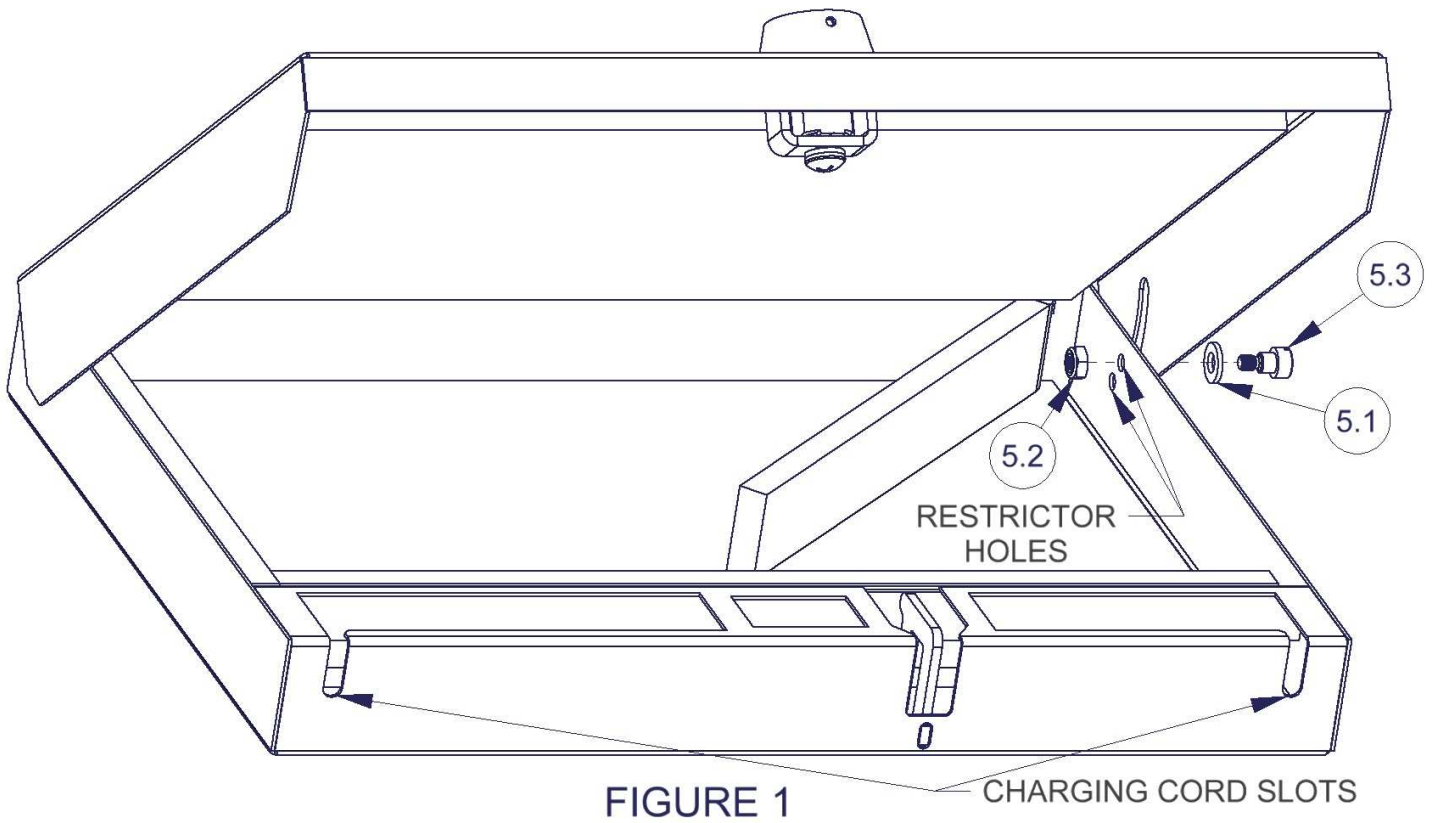


FIGURE 1

CHARGING CORD SLOTS

**Surface Mount Installation(Optional):**

Your Tablet Safe comes pre-punched with 5/16" diameter obround mounting holes to facilitate permanent installation using customer supplied hardware.

1. Determine the mounting location of the Safe. Using the drawing in Figure 2 locate and prepare the mounting locations on the mounting surface. We recommend a minimum of 2 mounting points.

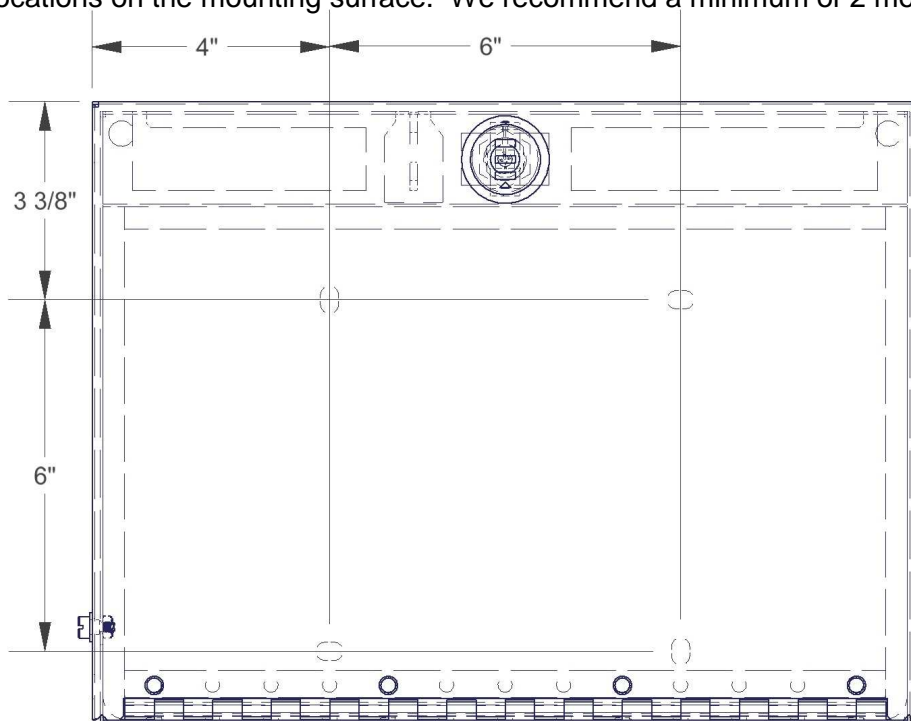


FIGURE 2

2. Unlock and fully open the lid of the Tablet Safe.
3. Starting at the back of the Safe, lift the foam that lines the bottom, and pull it forward until the selected mounting holes are visible. Note: It may be easier to completely remove the bottom foam for this step and the installation of the lid restrictor kit.
4. Mount the Safe to the surface using the customer supplied hardware.
5. If the Lid Restrictor Kit is to be installed, skip to those instructions now and return to Step #6 when complete.
6. Reapply the foam to the bottom of the safe over the heads of the mounting hardware.
7. Close and secure the lid.

### **Installing the Lid Restrictor Kit(Optional):**

Your Tablet Safe is shipped from the factory set-up for maximum portability and ease of use. For more permanent mounting to a vertical surface, the lid has been designed with a lid restrictor assembly that prevents it from opening fully. The restrictor kit is included in a small bag within the safe, and may be used to provide either a 3" or 5" lid opening.

#### **Tools Required:**

- Flat Head Screwdriver
- 3/8" Wrench/Socket

1. Unlock and open the Tablet Safe
2. Pull back the forward edge of the Right Side Foam to reveal the right rear corner (See Figure 1).
3. Assemble and tighten the hardware as shown (with the nylon washer to the outside of the lid to prevent wear). NOTE: Placing the #5.3 Shoulder Bolt in the upper hole(As Shown) provides a 5" lid opening, the lower hole produces a 3" opening.
4. Reapply the foam to the side of the Safe, aligning the top of the foam with the top of the Safe Body.

