

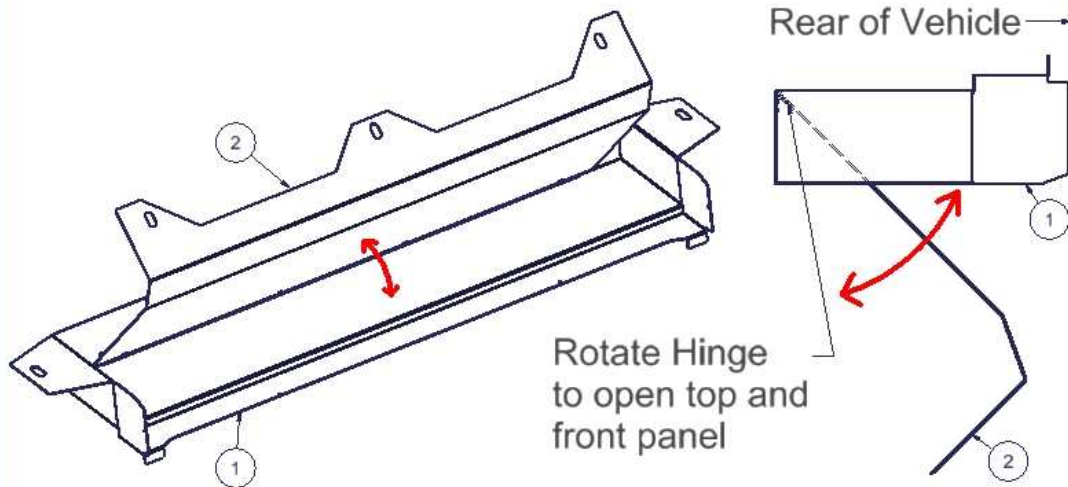


INSTALLATION INSTRUCTIONS

JEEP YJ TAILGATE SECURITY ENCLOSURE #297

PARTS INCLUDED

#1 Lid & #2 Front Panel hinged together (rotate panels open)



TOOLS NEEDED

- 9/16" socket
- 5/8" socket
- Socket wrench

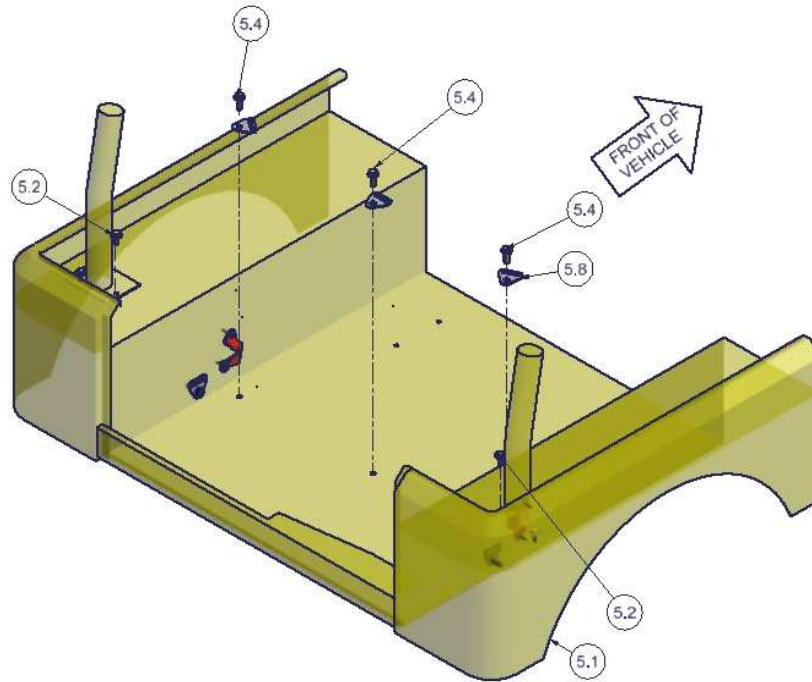
ATTENTION:

- ***THIS ENCLOSURE WAS DESIGNED FOR A STOCK OEM VEHICLE, ANY MODIFICATIONS MADE MAY AFFECT THE FIT INCLUDING: CARPET REMOVAL/CHANGES, SEATS, ETC.***
- ***Jeep Wrangler YJ vehicles have Manual Door Locks only! The rear tailgate lock must be locked manually with key in order for the Tuffy enclosure to function as a secure storage device.***
- ***For safety do not place any items on top of the enclosure that are not adequately secured to the vehicle to prevent movement in the event of an accident or abrupt speed changes.***

PLEASE READ ALL INSTRUCTIONS THOROUGHLY BEFORE STARTING INSTALLATION.

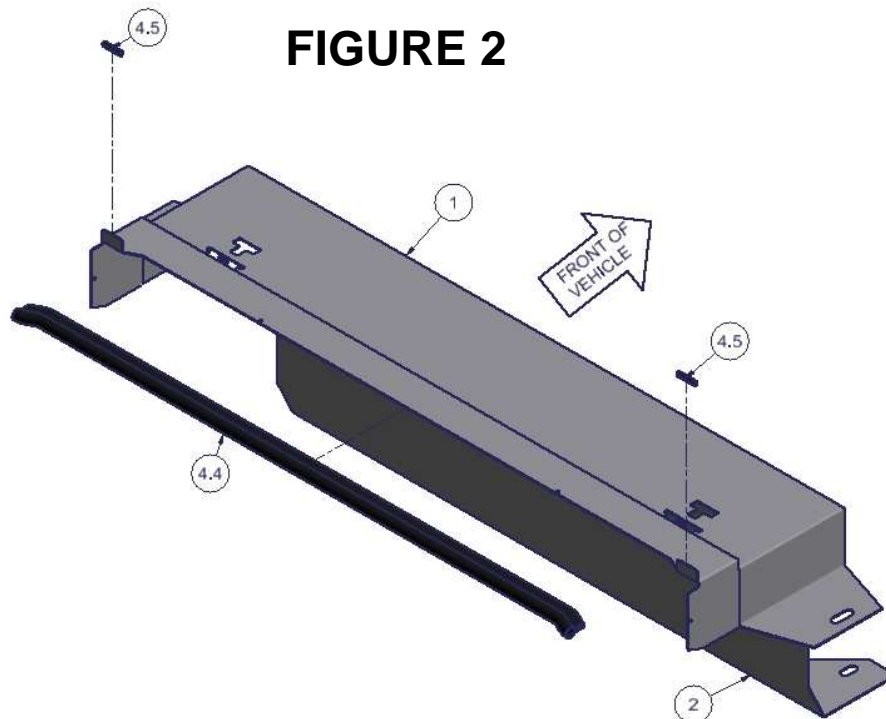
1. **IMPORTANT!** Make sure the vehicle is parked on a flat surface, placed in park, and the emergency brake is activated.
2. Fold and tumble the rear seat forward temporarily to allow plenty of access for installation. The seat can be set upright again following installation.
3. Remove the (3) #5.4 OEM seat belt bracket bolts for each of the #5.8 OEM rear seat belt brackets, as illustrated. Remove the inboard (2) #5.2 OEM roll bar bolts, as illustrated. (Figure 1)

FIGURE 1



4. Check that all of the trim is in place before installation. The #4.4 Long Rubber Edge Trim runs along the rear edge of the #1 Lid, and the (2) #4.5 Plastic Edge Trim pieces are placed on the left and right side flanges, as illustrated. (Figure 2)

FIGURE 2

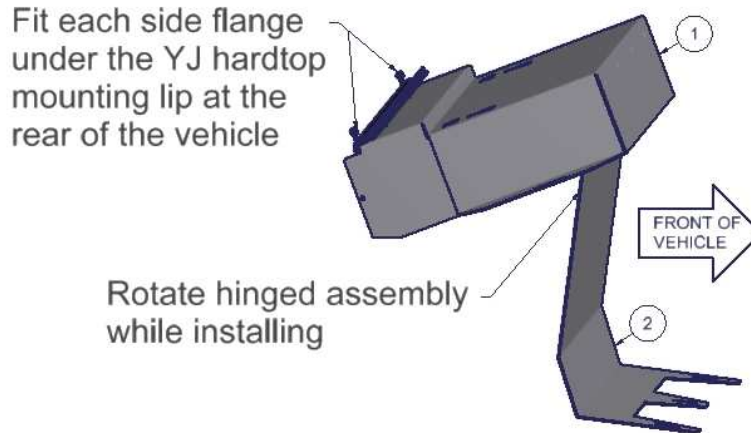


5. Install the #1 & #2 Hinged Panel Assembly with trim pieces into the vehicle by positioning the rear edge side tabs under the hardtop mounting lip at the rear of the vehicle body and tilting the Lid downwards. (Figure 3)

FITMENT AND SEALING NOTES:

- Be sure to fully insert the #1 Lid rear tabs under the hardtop mounting lip before tilting the Lid downwards.
- Be sure to keep the rubber edge trim in position when installing the assembly.

FIGURE 3



6. Position the Hinged Panel assembly #1 & #2 in the vehicle and align the obround holes in the mounting flange with the (3) rear seat belt bracket holes, as illustrated. Re-Install the #5.4 bolts and #5.8 seat belt brackets in their original locations. Do not tighten bolts at this time. (Figure 4)

INSTALLER NOTES:

- The #2 Front Panel is designed to fit snugly between the carpeted #5.1 cargo area walls. When positioning the #2 Front Panel into the vehicle, lower the panel evenly to prevent binding as the panel is positioned.
- 1992-1995 YJ vehicles may not feature the outboard two #5.8 floor mounted seat brackets, but should feature the center seat belt bracket and bolt. If desired, the two outer mounting holes may be drilled and bolted down with hardware not included.
- On 1992-1995 YJ vehicles featuring roll bar mounted rear seat belt retractors, installers may need to remove the seat belt retractor along with the plastic cover in order to remove the two inboard #5.2 OEM roll bar bolts.

7. Re-install the #5.2 OEM roll bar bolts and tighten to factory specifications. Finally, tighten the #5.4 OEM bolts to factory specifications. (Figure 4)

FIGURE 4

