



INSTALLATION INSTRUCTIONS

[Stereo Dash Cutout Tray #150](#)

PARTS CHECKLIST



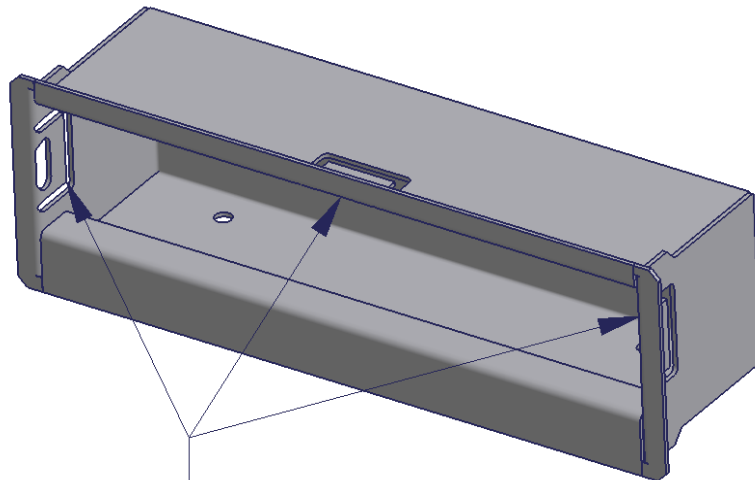
Stereo Dash Cutout Tray

TOOLS NEEDED

- Screwdriver (Flat head)

PLEASE READ ALL INSTRUCTIONS THOROUGHLY BEFORE STARTING INSTALLATION.

1. Insert the tray into the dash cutout where the stereo used to be and bend the (3) tabs with a screwdriver to mount.



Bent these tabs with
a screwdriver to mount