



INSTALLATION INSTRUCTIONS

Ford Bronco [Glove box](#) 1966-1977 Part # 108

Tools Needed

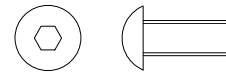
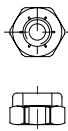
- Phillips head screwdriver
- 1/8" allen wrench
- 1/4" Wrench

Shipping Package

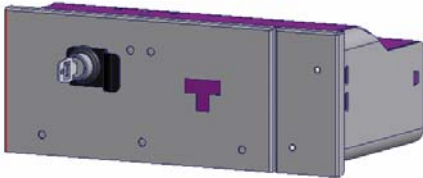
(4) #6 Flat Washers

(4)#4-40 Locknuts

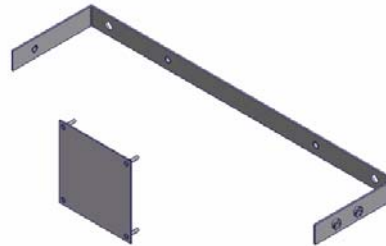
(5)10-32 x 1/2" Button Head Cap Screws



Included Parts



Tuffy Part#108 Bronco Glove box



108-Mounting Bracket and 108-Cover

Mounting Directions

1. Remove the factory glove box including all hinges, support straps, and lock catches.
2. In some 1971-1977 Broncos there will be a metal plate on the inside of the original glove box that will need to be removed. The plate will be remounted on the inside of the Tuffy glove box for fastening the fuse panel. If you do not need the cut out in the left side of the glove box, use the provided cover and the nuts and washers to secure the cover to the glove box. See Figure 1.
3. Remove the paper off the double sided tape on the mounting bracket and tape the mounting bracket to the dash as shown in Figure 2. Be sure that the holes in the dash line up with the nuts in the mounting bracket.

4. Carefully push the glove box into the dash opening and line up the holes in the glove box to the holes in the dash and the nuts in the mounting bracket. Use the 10-32 Button head screws to bolt the glove box in. Hint: Start all screws a little bit before tightening any of them all the way down.
5. Check lock operation, Lock it Up!

FIGURE 1

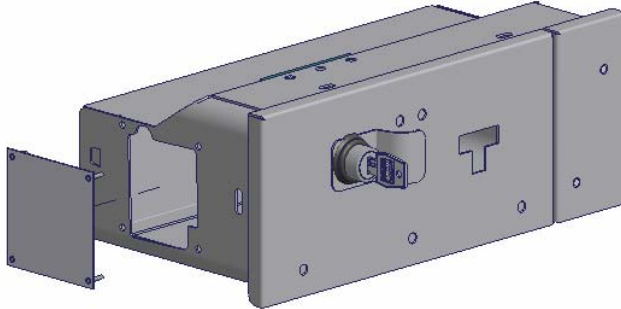
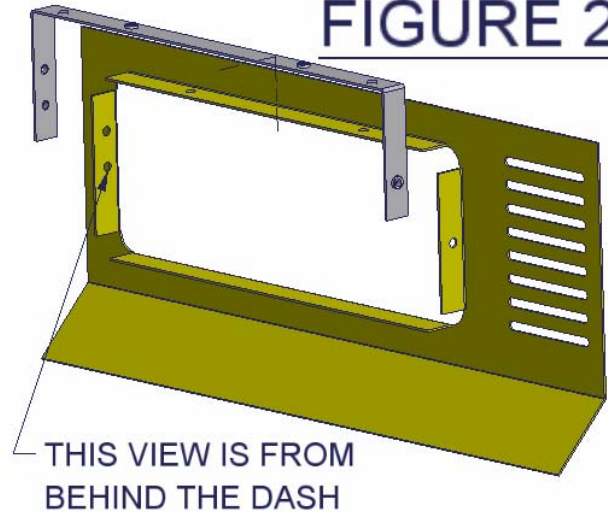


FIGURE 2



ATTENTION:

FREQUENT LUBRICATION IS NECESSARY ON THE LOCKING SYSTEM

The pushbutton lock contains an “O” ring seal to protect the interior from dust and water. If this mechanism is not lubricated regularly it will become difficult to operate and it may not return to its home position preventing the key from operating the lock. If this happens simply pull up on the pushbutton to manually bring it back to its home position. Lubricate the pushbutton with a light lubricant such as silicone spray. The pushbutton may have to be periodically disassembled and cleaned.