



INSTALLATION INSTRUCTIONS

P/N #057, TOYOTA FJ-40 [MOUNTING BRACKET](#) 1973-1978

PARTS CHECKLIST



(3) 5/16 x 11/4" BOLTS



(3) 5/16 NYLOCK NUTS



(6) 5/16" WASHERS



(2) M5-.8X12MM SCREWS

PLEASE READ ALL INSTRUCTIONS THOROUGHLY BEFORE STARTING INSTALLATION.

1. There are two mounting positions available (See figures 1 and 2). Taking into account various factors including where you want to mount your drinkholder, whether or not you have a heater, etc., choose the mounting position that is appropriate for you.
2. Attach your Tuffy console to the mounting bracket. For mounting according to Figure 1, use the 5/16" bolts, washer, and nuts provided. For mounting according to Figure 2, it is necessary to use the 10-32x1/2" bolts, #10 Washers, and 10-32 nuts provided in the shipping package that came with your center console.
3. Remove the bolts attaching the seatbelts to the floor, this is where the rear of the Tuffy bracket will be bolted.
4. Place the bracket between the seats, lining up the holes in the back with the holes in the floor where the seat belts were mounted.
5. Using the bolts you removed in step 3, bolt down the bracket in the rear. Using the M5 screw provided, bolt the front of the bracket to the holes in the factory seat bracket as shown in the figures.
6. Lock it up!

FIGURE 1

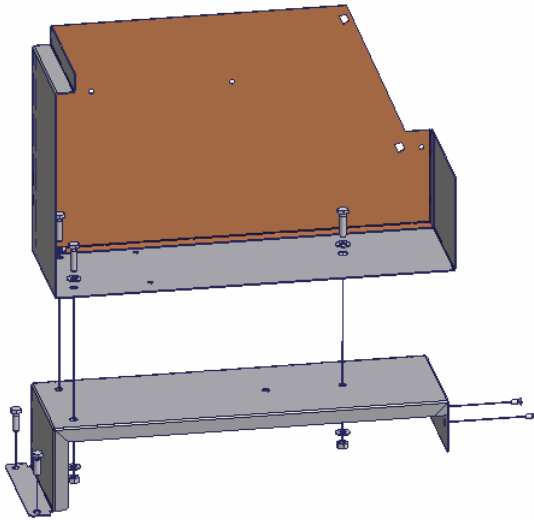
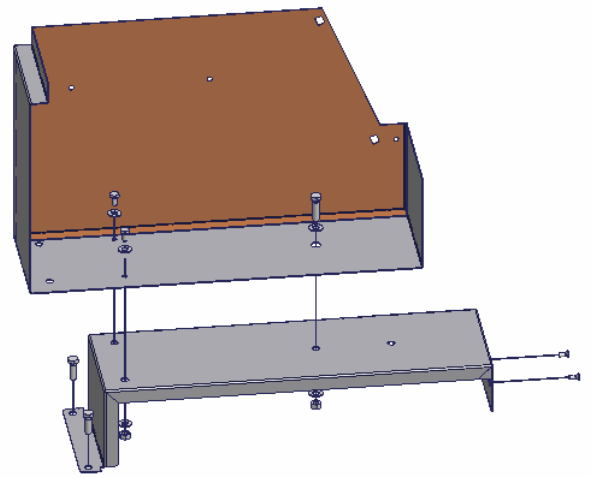


FIGURE 2



ATTENTION:

FREQUENT LUBRICATION IS NECESSARY ON THE LOCKING SYSTEM

The pushbutton lock contains an “O” ring seal to protect the interior from dust and water. If this mechanism is not lubricated regularly it will become difficult to operate and it may not return to its home position preventing the key from operating the lock. If this happens simply pull up on the pushbutton to manually bring it back to its home position. Lubricate the pushbutton with a light lubricant such as silicone spray. The pushbutton may have to be periodically disassembled and cleaned.