



INSTALLATION INSTRUCTIONS

CJ Security Glove Box Part #035

Shipping Package



(6) 10-32 x 1/2" bolts



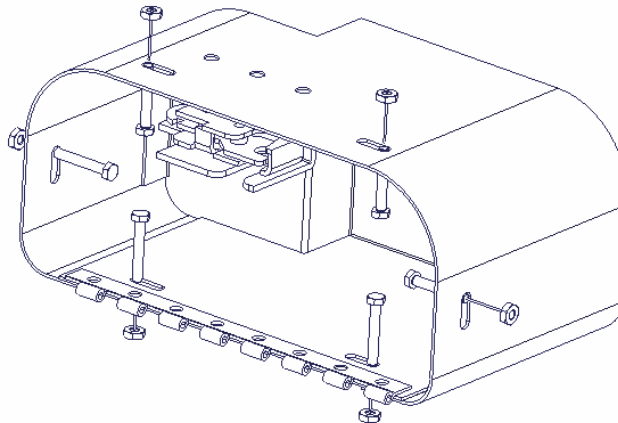
(6) 10-32 locknuts

Tools Needed

- o (1) 5/16" wrench
- o (1) 3/8" wrench

Installation

1. Please read all instructions before starting installation.
2. Remove the old cardboard glovebox, latch, and lid.
3. Insert the Tuffy glovebox line up the mounting holds with the holes in the dash.
4. Insert the (6) 10-32 x 1/2" bolts from inside the glovebox. Reach behind the dash and fasten the (6) 10-32 locknuts starting with the bolts on the sides of the glovebox. See the figure below (Shown without the lid).
5. Lock it up!



ATTENTION:

FREQUENT LUBRICATION IS NECESSARY ON THE LOCKING SYSTEM

The pushbutton lock contains an "O" ring seal to protect the interior from dust and water. If this mechanism is not lubricated regularly it will become difficult to operate and it may not return to its home position preventing the key from operating the lock. If this happens simply pull up on the pushbutton to manually bring it back to its home position. Lubricate the pushbutton with a light lubricant such as silicone spray. The pushbutton may have to be periodically disassembled and cleaned.