



INSTALLATION INSTRUCTIONS

SPEAKER & STORAGE SECURITY LOCKBOX SET #015 &
WHEEL WELL STORAGE LOCKBOX SET #030

PARTS CHECKLIST



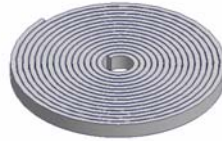
(6) 5/16" x 1-1/4" Bolts



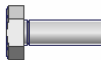
(6) 5/16" Nylock Nuts



(12) 5/16" Washers



Rubber Seal Package

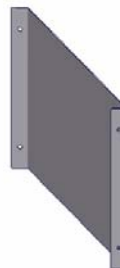
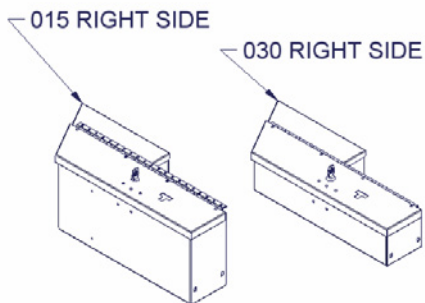


(8) 6-32 SCREWS (015 ONLY)



(8) #6 LOCKNUTS (015 ONLY)

INCLUDED PARTS



TOOLS NEEDED

- Electric drill
- 3/8" Drill bit
- Marker or pencil
- Knife
- 1/2" Socket and ratchet
- 1/2" Wrench
- 1/4" Wrench or Socket and Ratchet (015 ONLY)
- Silicone sealant (Recommended)

PLEASE READ ALL INSTRUCTIONS THOROUGHLY BEFORE STARTING INSTALLATION.

- **Before starting installation install rubber seal around lid and check lock operation.**

015 ONLY

1. Bolt your speaker to the Tuffy box by placing the speaker cloth between the speaker and the box and securing with fasteners provided with the speaker.
2. Route speaker wires through the hole in the bottom of the box.
3. Connect speaker wires to speaker in accordance to the speaker installation manual.
4. Install rubber seal on lid and check lock operation.

5. Place your Tuffy box in the vehicle on the wheel well, make sure placement of box does not interfere with the movement of the seat or convertible top.
6. Using a marker or pencil, mark any (3) spots through the 3/8" mounting holes in the box.

WARNING!

Make sure that there is nothing under the vehicle that will be damaged by the drill bit when drilling.

7. Remove the box. Cut the carpet at the (4) marked holes. Using a 3/8" drill bit, drill out the (4) marked spots in the floor.
8. It is recommended to use silicone sealant in any holes drilled in the vehicle to prevent rusting.
9. Bolt the Tuffy box to the vehicle using (3) 5/16x1-1/4" Bolts, (6) 5/16" Washers and (3) 5/16" Washers. For security purposes it is best to insert the bolts from the underside of the vehicle up.

015 ONLY

10. Carefully slide the aluminum divider into the box and bolt through the box and the divider using the 6-32 screws and nuts provided.

11. Repeat steps for installation of box on the other side of the vehicle.
12. Lock it up!