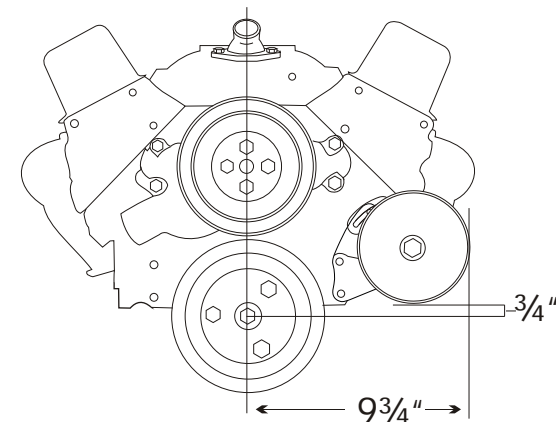
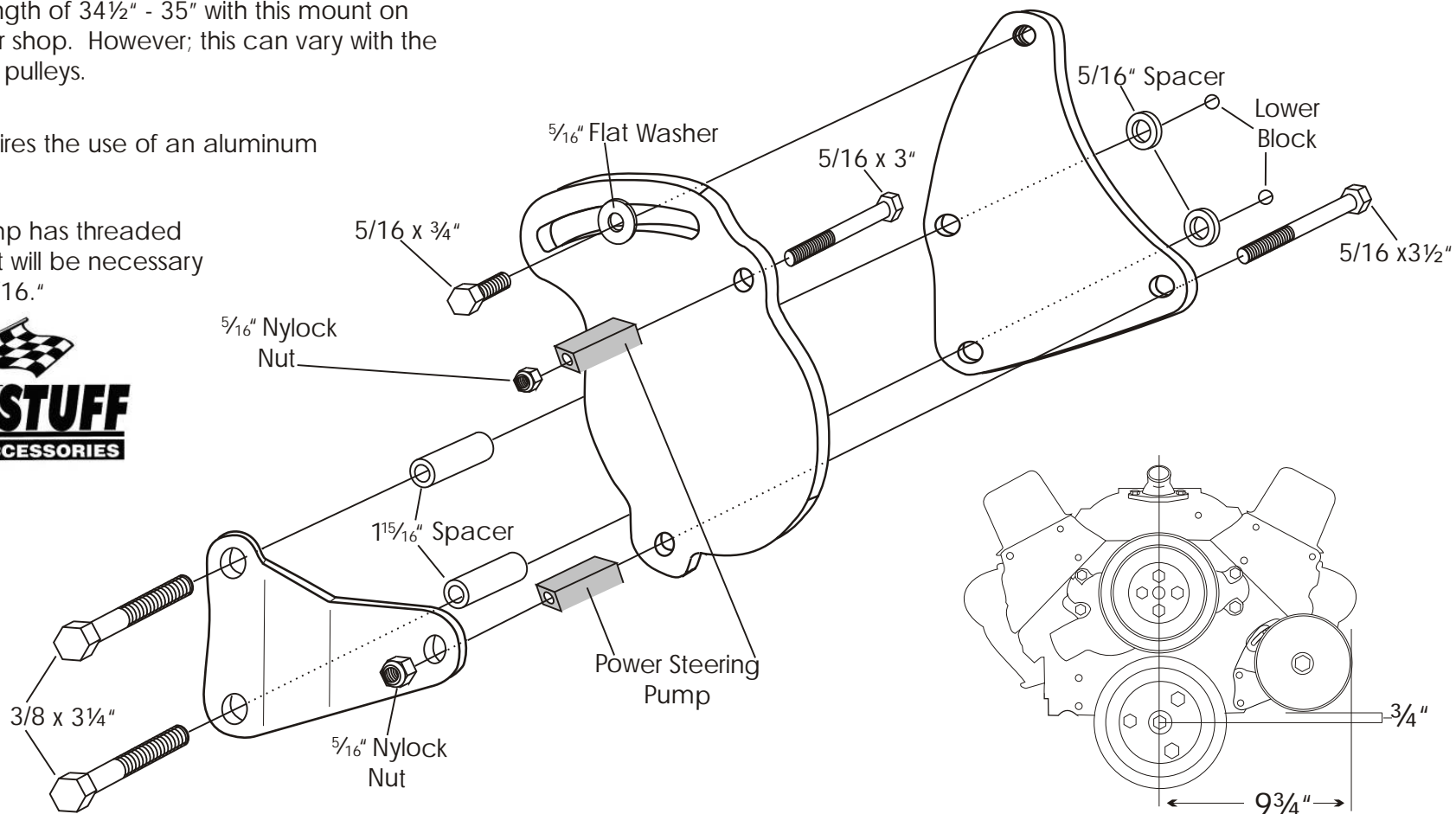


We use a belt length of 34½" - 35" with this mount on installations in our shop. However; this can vary with the diameter of your pulleys.

This bracket requires the use of an aluminum V-belt pulley.

Note: If your pump has threaded mounting holes it will be necessary to drill them to 5/16."



## Disclaimer

- The purchaser is responsible for determining the suitability of any or all products purchased from Tuff Stuff Performance Accessories LTD.
- The customer recognizes that Tuff Stuff products may not be a direct replacement for their original, and some modifications may be necessary.
- Tuff Stuff will not influence your use of this product in your vehicle in any manner.
- Any Tuff Stuff product shall be installed at your own discretion.
- Remember: Any Tuff Stuff product must be installed by a professional mechanic.
- Chrome plated products returned for proposed warranty with scratches or chips will not be considered for refund or replacement.

**Power Steering  
Pump Mount**  
**6506A**  
**6506B**  
 Small Block Chevy - Driver's Side  
 Short Water Pump