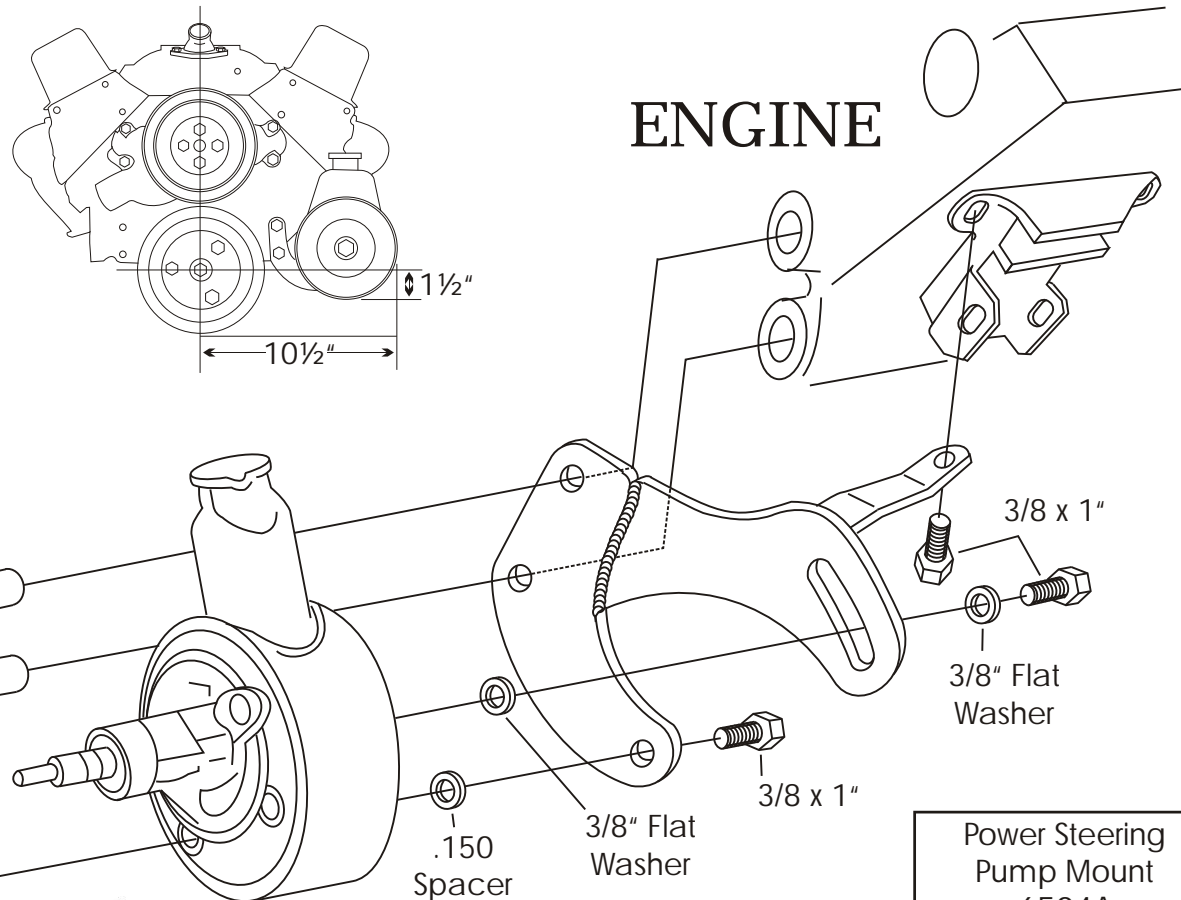


**NOTE:** If your pump has a stud at the lower rear pivot point, it may be used instead of the 1" bolt and .150 spacer.

We use a belt length of 36 to 36½" with this mount on installations in our shop. However; this can vary with the diameter of your pulleys.

**NOTE:** Some early blocks may have casting flash that will interfere with the rear of bracket. This is easily removed with a small grinding stone or hand file.



Power Steering  
Pump Mount  
6504A  
6504B  
Small Block Chevy - Driver's Side  
Short Water Pump

## Disclaimer



- The purchaser is responsible for determining the suitability of any or all products purchased from Tuff Stuff Performance Accessories LTD.
- The customer recognizes that Tuff Stuff products may not be a direct replacement for their original, and some modifications may be necessary.
- Tuff Stuff will not influence your use of this product in your vehicle in any manner.
- Any Tuff Stuff product shall be installed at your own discretion.
- Remember: Any Tuff Stuff product must be installed by a professional mechanic.
- Chrome plated products returned for proposed warranty with scratches or chips will not be considered for refund or replacement.