



TUFF COUNTRY

EZ-RIDE SUSPENSION

PART NO. XJ035
 JEEP CHEROKEE 3.5" SUSPENSION LIFT
 PARTS LIST:

Qty.	Description	Part No.
2	Front Coil Springs	XJ035-CL01
2	Front Lower Control Arms	XJ035-01
2	Transfer Case Lowering Bars	XJ035-02
1	Hardware Bag	XJ035-NB
1	Poly Bag	XJ035-PL
1	Front Track Bar Bracket	TJ4-01
1	Track Bar Bracket Anti Crush Sleeve	15-204
2	3" Lifted Rear Block	BL301
4	1/2" x 3 1/4" x 9 3/4" Round U-bolts	5U-9231R
4	1/2" x 2 3/4" x 9 3/4" Round U-bolts	5U-144R
1	1/2" U-bolt High Nuts and Washers	12NW
2	Front Brakeline Extension	BLR05
2	Front Lower Shock Bar Pins	BP07
1	Instruction Sheet	XJ035-INST

Special Note: Tuff Country highly recommends using a medium offset wheel, if a stock offset is used the rear sway bar needs to be removed. If rear sway bar is not removed rubbing will occur on the inside of the rear tires causing tire damage.

Congratulations on your selection to purchase a Tuff Country Suspension System. We at Tuff Country are proud to offer a high quality product at the industries most competitive pricing. Thank you for your confidence in us, and our product.

***Important Notes:** Please read before beginning installation. OEM Manual should be used as a reference.

Check off parts list to be sure all parts are on hand. If any part is missing, you may call Tuff Country at: (800) 288-2190.

Read and understand all sections of instruction manual. Use locktite on all bolts associated with this installation.

TUFF COUNTRY SUSPENSION highly recommends a qualified and or certified mechanic to perform this installation.

Torque Settings:

5/16"	15-18 ft. lbs.	3/8"	28-32 ft. lbs.
7/16"	30-35 ft. lbs.	1/2"	65-85 ft. lbs.
9/16"	75-90 ft. lbs.	5/8"	85-110 ft. lbs.
3/4"	105-125 ft. lbs.		

INSTALLATION MANUAL

3.5" SUSPENSION LIFT
 1984 - 2000 JEEP CHEROKEE SPORT
 PART # XJ035

SJ121500

WARNING: TUFF COUNTRY EZ-RIDE SUSPENSION HIGHLY RECOMMENDS THAT A CERTIFIED MECHANIC PERFORMS THIS INSTALLATION.

WARNING

If you desire to return vehicle to stock make sure to save all stock components.

IMPORTANT CUSTOMER INFORMATION

This vehicle's reaction and handling characteristics may differ from standard cars and/or trucks. Modifications to improve and or enhance off road performance may raise the intended center of gravity. Extreme caution must be utilized when encountering driving conditions which may cause vehicle imbalance or loss of control. Drive Safely! Avoid abrupt maneuvers, such as sudden sharp turns, which could cause a roll over, resulting in serious injury or death.

It is the customer's responsibility to make sure a re-torque is performed on all hardware associated with this suspension system after the first 100 miles of installation. It is also the customer's responsibility to do a complete re-torque after every 1000 miles or after every off road use.

After the original installation, Tuff Country also recommends having the alignment checked every 6 months to ensure proper tracking, proper wear on tires and front end components. Tuff Country takes no responsibility for abuse, improper installation, or improper suspension maintenance.

IMPORTANT NOTICE

DO NOT install a body lift in combination with a suspension system. If a body lift is used in conjunction with any Tuff Country Suspension product, your Tuff Country WARRANTY WILL BE VOID.

NOTICE

It is the responsibility of the customer or the mechanic to wear safety glasses at all times when working with air tools.

Product safety label must be installed inside the cab in plain view of all occupants.

Please Follow Instruction Carefully

Before installation begins, drive and check to make sure there are not any uncommon sounds and or frame damage. Also at this time measure from the center of the hub to the bottom of fender well and record:

Pre Installation Measurements:

Driver Side Front _____
Passenger Side Front _____
Driver Side Rear _____
Passenger Side Rear _____

At the end of the installation take the same measurements and compare to the pre installation measurements.

Post Installation Measurement:

Driver Side Front _____
Passenger Side Front _____
Driver Side Rear _____
Passenger Side Rear _____

Front End Installation:

1. To begin installation, start on the driver side of vehicle and locate the top of the shock absorber stud in the engine compartment. Remove the nut, retainer washer and grommet. Repeat procedure on passenger side.

Special Note: Cherokee Sport has a variation on the grommet sizes, save stock grommets, they may need to be re-installed.

2. Block the rear tires of the vehicle so that the vehicle is stable and can't roll backwards. Safely lift the front of the vehicle and support the frame with jack stands. Place a jack stands on both the driver and the passenger side. Next remove the wheels and tires from both sides.

3. Using a hydraulic floor jack, support the front axle on the driver and passenger side. Next, remove the stock lower shock bolts and nuts and save for later re-installation. (stock shock absorbers can be discard). Longer shocks will be needed with this suspension system. (Shock not included).

4. On the driver side, disconnect the stock sway bar end links from the stock sway bar and save hardware for later re-installation. Repeat procedure on passenger side. Next, remove the stock brake lines from inner frame rail and save hardware for later re-installation.

5. Double check to make sure that the hydraulic jacks are supporting the axle and remove the stock bolt that connects the stock track bar to the stock location on the

passenger side axle. Save hardware for later re-installation.

6. Remove the passenger side bolt that connects the stock stabilizer to the stock location and save hardware, **if so equipped.**

7. On the driver side locate the stock lower control arm. On the front mounting bracket scribe a mark on the stock alignment cams and reinforcement bracket. This is done for a later installation reference. Repeat procedure on passenger side.

8. On the driver side, remove the stock lower control arm and discard. Save hardware for later re-installation. Repeat procedure on passenger side.

9. On the driver side, remove the stock coil clip and save hardware for later re-installation, **if so equipped.** Repeat procedure on passenger side.

10. Lower down on both hydraulic floor jacks at the same time. Lower jacks enough that the stock coil springs can be removed. On the driver side, remove the stock coil spring and discard. Repeat procedure on passenger side.

11. Locate the new front coil springs, on the driver side install the new coil spring into to stock location. Repeat procedure on passenger side.

12. On the driver side, re-install the stock coil spring clip with stock hardware, **if so equipped.** Repeat procedure on passenger side.

13. Raise up on the hydraulic floor jacks until the new coil springs seat properly. **Note: Make sure the rubber spring isolator is flush with the upper stock frame brackets on each side.**

14. Locate the (2) new front lower control arms and new poly bushings from poly bag label XJ035PL. Insert the new poly bushing into each end of the control arms. The bushing are a two piece bushing, so each arm should receive (4) bushings. Now press in the anti crush sleeves through the bushings on each end. **Special Note: Use a lithium or moly base grease prior to inserting bushing into the new lower control arms. This will increase the life of the bushings as well as prevent squeaking.**

15. On the driver side, install the new lower control arm into the rear mount and secure using stock hardware. **Do not fully tighten at this point.** Insert the front of the lower control arm into the front bracket. **Special Note: Slight prying of the stock control arm mounts may be needed to make installation easier. Also raising the axle to ride height and moving it slightly up and down will make for easier installation.** Now re-install the stock cam bolt and nut. Refer to the reference mark that was make in step # 7 and re-bolt into the stock location.

Note: Torque both the front and rear mount to 90 ft. lbs. Repeat procedure on passenger side.

See Illustration # 1

16. Locate the new track bar relocating bracket, (1) 10mm x 3" bolt, (1) 10 mm lock nut, (1) 3/8" x 1" bolt, (1) 3/8" unitorque nut, (4) 3/8" flat washers and (1) 15.204 track bar anti crush sleeve. Install new track bar relocation bracket into passenger side stock track bar location with the open end down. Install new spacer sleeve into the upper hole of new track bar bracket. Secure using stock hardware. **Do not fully tighten at this point.** Make sure that the newly installed track bar relocation bracket is level and use the new bracket as a guide and drill a 3/8" hole into the back side of stock track bar bracket. Secure using new 3/8" hardware and torque to **32 ft lbs.**

See Illustration # 2

17. Install the stock track bar into newly installed track bar bracket and secure using (1) 10 mm x 3" bolt, (1) 10 mm lock nut and (2) 3/8" flat washers. Torque to **45 ft lbs.** **If you are not able to line up the hole in the stock track bar and the new track bar bracket, the weight of the vehicle may need to be on the ground, if this is the case perform this step after installation step # 20**

See Illustration # 3

18. Locate (2) new front brakeline extensions, (2) 1/4" x 3/4" bolts, (2) 1/4" unitorque nuts and (4) 1/4" flat washers. On the driver side install new brakeline bracket to inner frame rail. Secure using stock hardware. Install stock brakeline brake to new brakeline bracket and secure using 1/4" hardware. Torque to **15 ft lbs.** Repeat procedure on passenger side.

See Illustration # 4

19. Longer shock will be needed with this suspension kit. Tuff Country recommends a 23" fully extended hydraulic shock. In the poly bag with your instruction sheet locate the shock bar pins. Install the new bar pin into each shocks lower eyelet. Install the shock dust boot cover on both shocks. On the driver side, install the new shock into the lower stock location and secure using lower shock mounting hardware. Install the upper shock mount into the stock location and secure using new grommets and 3/8" nut. **Special Note: Stock grommets may need to be re-installed if new grommets are to small.**

20. Re-install the stock sway bar end links into stock location and secure using stock hardware Check and double check to make sure that all installation steps were performed properly and that all hardware is torqued to proper specifications. mount wheels and tire and safely lower vehicle to the ground.

21. Re-install the stock stabilizer into the stock location and secure using stock hardware.

If you were unable to line up the stock track bar and new track bar bracket from step # 17. Perform this at this time.

Front End Installation complete:

Rear End Installation:

22. Block the front tires of the vehicle so that the vehicle is stable and can't roll forward. Safely lift the rear of the vehicle and support the frame with jack stands. Place a jack stands on both the driver and the passenger side. Next remove the wheels and tires from both sides.

23. Position hydraulic floor jacks under both the driver and passenger side rear axle. Raise up on both floor jacks until contact is made on the axle.

24. On the driver side, remove the stock sway bar from the stock frame location and save for later re-installation. Repeat procedure on passenger side.

25. Remove both rear shock absorbers and discard. Longer shocks will be needed with suspension system. (Shock not included).

26. On the driver side, remove the stock U-bolts and discard. repeat procedure on passenger side. Lower down on both floor jacks at the same time approximately 3.5". This will give you enough room to install new 3" lifted blocks.

If the vehicle that you are working on has a Dana 35 rear end follow steps 27 - 28.

If the vehicle that you are working on has a Dana 44 rear end follow steps 29 - 30.

27. Locate the new 3" lifted blocks. On the driver side, install the new 3" lifted block between the axle and stock spring assembly. **Special Note: Install the new 3" lifted block with the taper going toward the front of the vehicle. if the block does not seat properly into the stock spring perch, the stock spring perch hole may need to be drilled out to a 9/16".** Repeat procedure on passenger side.

28. Raise up on both hydraulic floor jacks at the same time until axle and newly installed blocks seats properly into stock spring assemblies. Locate (4) 1/2" x 2 3/4" x 9 5/8" round U-bolts and (1) 1/2" U-bolt high nuts and washers. On the driver side, install new U-bolts into the stock location and secure using new 1/2" high nuts and washers. Torque to **85 ft. lbs.** Repeat procedure on passenger side.

See Illustration # 5

29. Locate the new 3" lifted blocks. On the driver side, install the new 3" lifted block between the axle and stock spring assembly. **Special Note: Install the new 3" lifted block with the taper going toward the front of the**

vehicle. If the block does not seat properly into the stock spring perch, the stock spring perch hole may need to be drilled out to a 9/16". Repeat procedure on passenger side.

30. Raise up on both hydraulic floor jacks at the same time until axle and newly installed blocks seats properly into stock spring assemblies. Locate (4) 1/2" x 2 3/4" x 9 5/8" round U-bolts and (1) 1/2" U-bolt high nuts and washers. On the driver side, install new U-bolts into the stock location and secure using new 1/2" high nuts and washers. Torque to 85 ft. lbs. Repeat procedure on passenger side.

See Illustration # 6

31. Longer shocks will be needed with this suspension system. Tuff Country recommends a 26" fully extended hydraulic shock. Install the shock dust boot cover on both shocks. On the driver side, install new shock into stock location using stock hardware. Repeat procedure on passenger side.

32. Re-install the stock sway bar to the stock frame location and secure using stock hardware. **Special Note: Tuff Country highly recommends using a medium offset wheel, if a stock offset is used the rear sway bar needs to be removed. If rear sway bar is not removed rubbing will occur on the inside of the rear tires causing tire damage.**

33. Install tires and wheels and lower vehicle to the ground. Check and double check to make sure all steps were performed properly.

34. Safely lower the vehicle to the ground.

Rear End Installation Complete:

TRANSFER CASE LOWERING KIT

Before beginning these steps: Make sure vehicle is on a flat and level surface, block the front and rear tires and place transmission in neutral.

35. Loosen the engine mount bolts about 1/2 turn. Support the transfer case crossmember with a transmission jack or floor jack, next remove the 2 bolts, 2 nuts and 2 studs that fasten the transfer crossmember to the frame. Next, lower the transfer case crossmember approximately 1.5"

36. Locate the (2) new transfer case drop bars, (4) transfer case stud bolts and (4) washers. On both the driver, install the new transfer case drop bar between the frame and the transfer case cross member. Repeat procedure on passenger side.

37. Raise up on the hydraulic jack until the transfer case drop bars come into contact with frame. Secure using transfer case stud bolts and washers. (2) per side. **Note: Make sure to use lock tight, on new stud bolts.** Torque bolts to 30 ft. lbs

See Illustration # 7

38. Remove the jack, Re-torque the engine mount block bolt to 45 ft. lbs., the engine mount to frame bolts to 30 ft. lbs. and thru bolts to 48ft. lbs.

39. Check to make sure that the transfer case will fully engage at each end of shift level. If linkage adjustment is required, refer to your service manual for adjustment procedure.

Congratulations installation complete

Check and double check to make sure all steps were performed properly. Take directly to an alignment center for proper alignment.

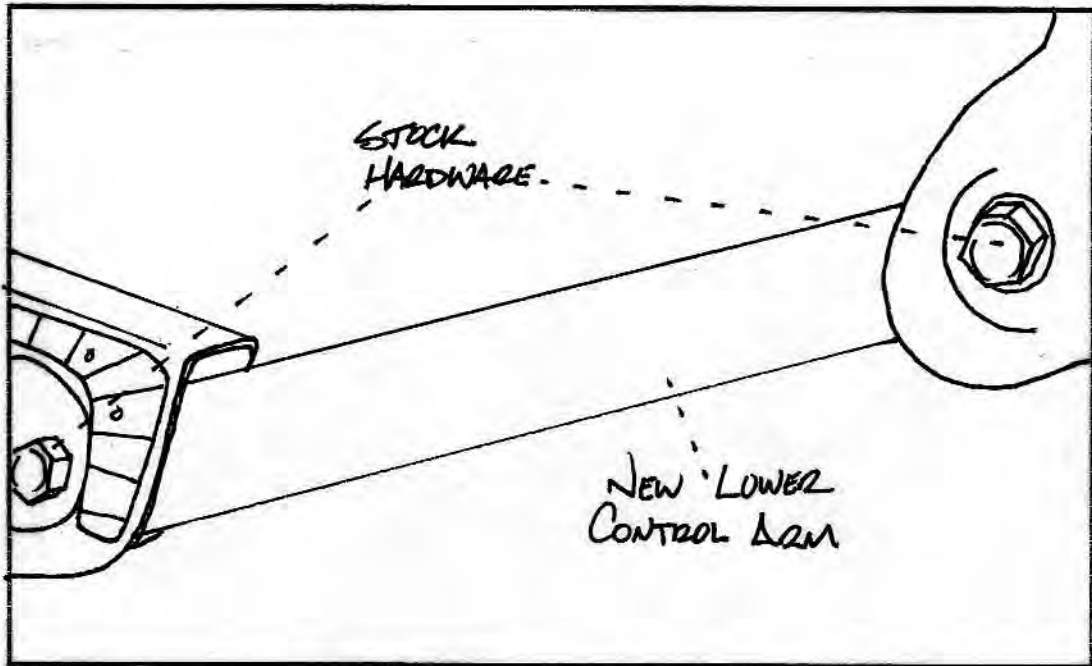


ILLUSTRATION # 1

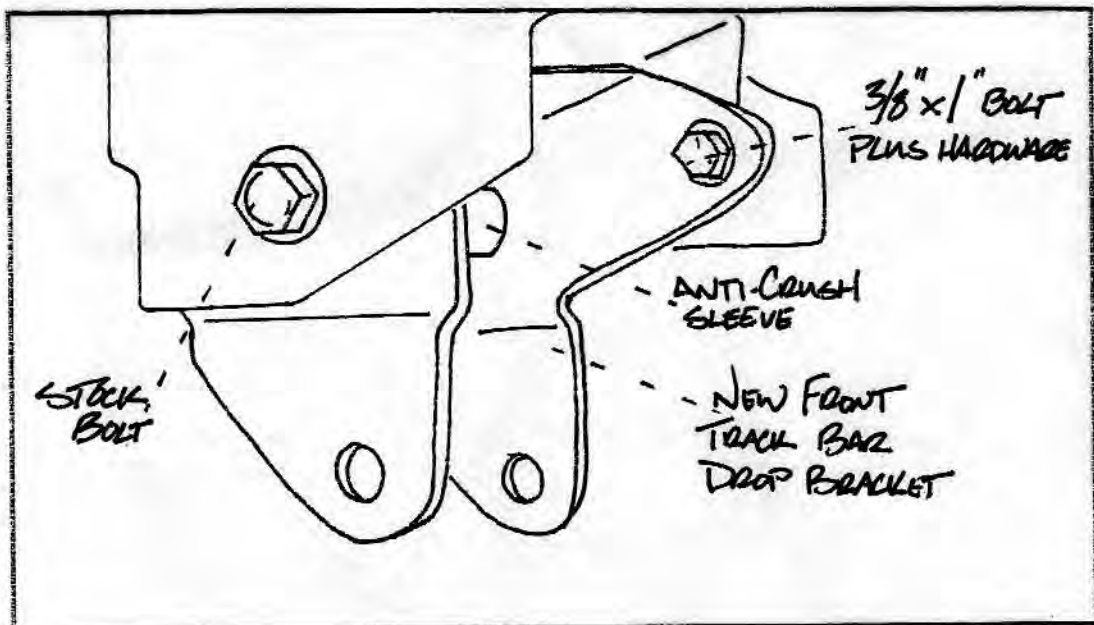


ILLUSTRATION # 2

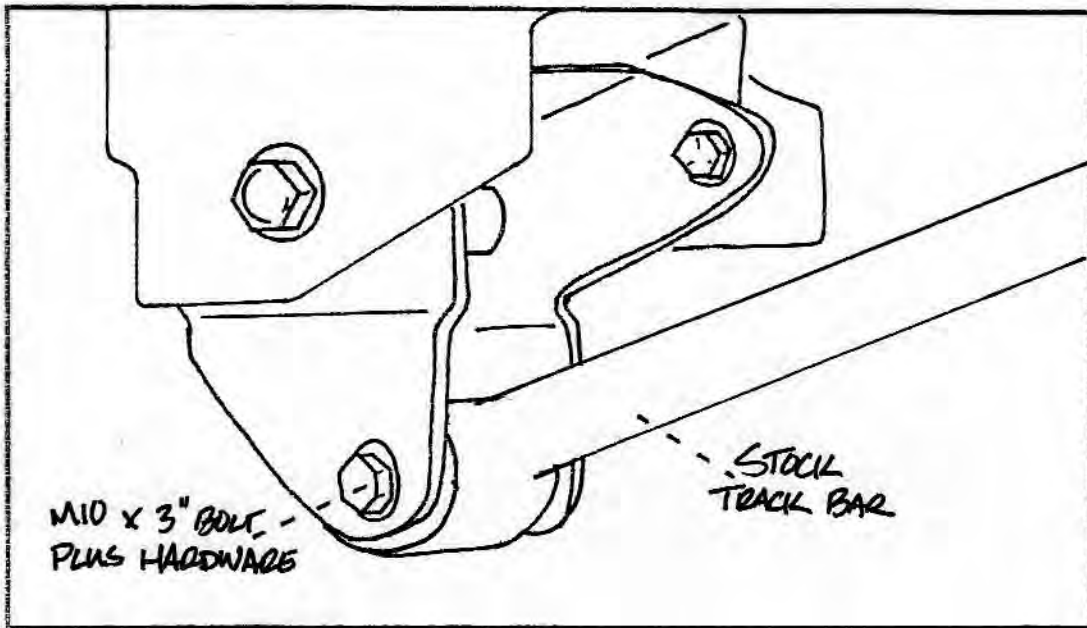


ILLUSTRATION # 3

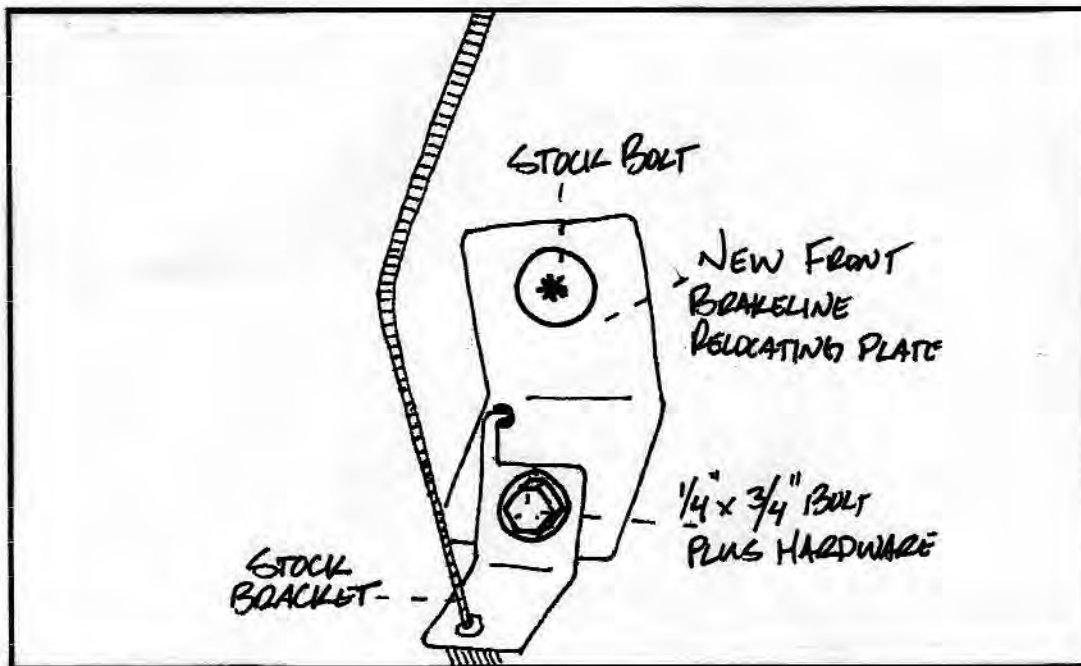


ILLUSTRATION # 4

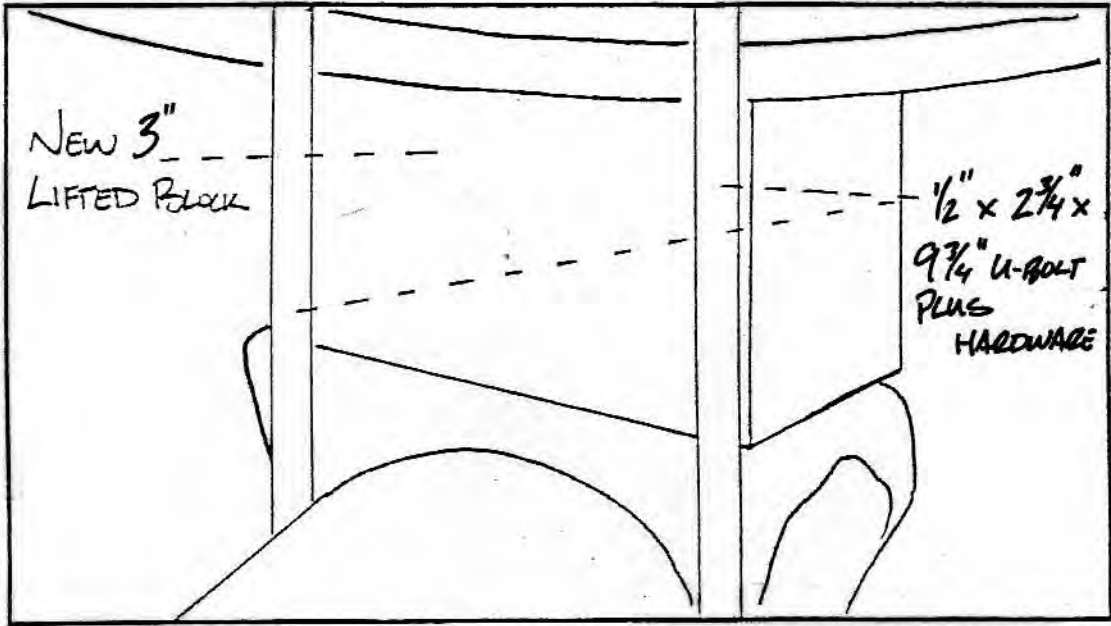


ILLUSTRATION # 5

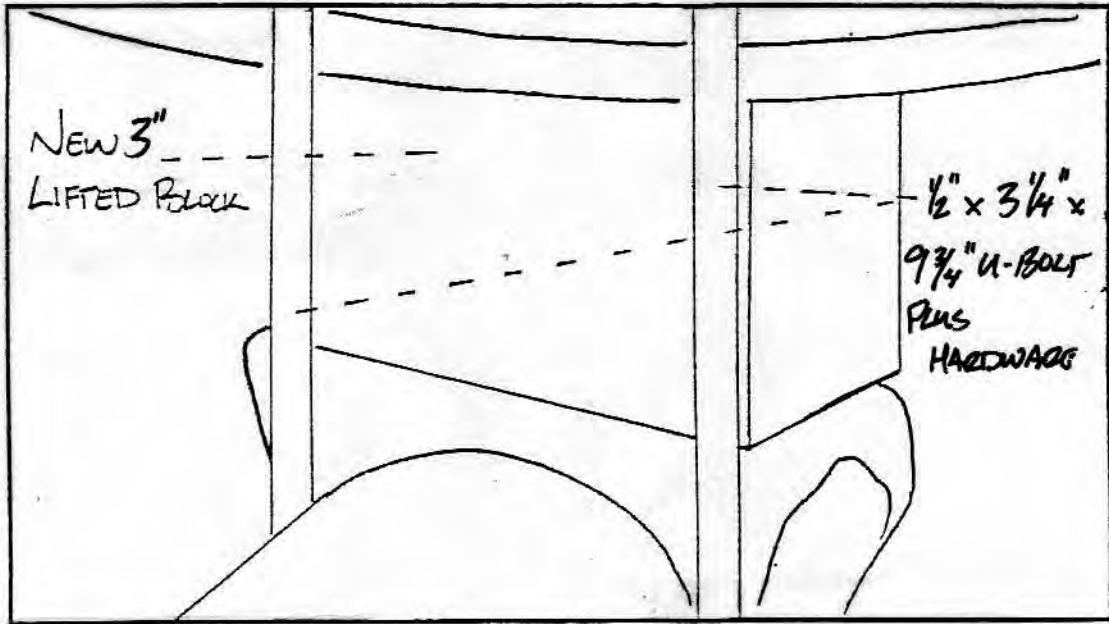


ILLUSTRATION # 6

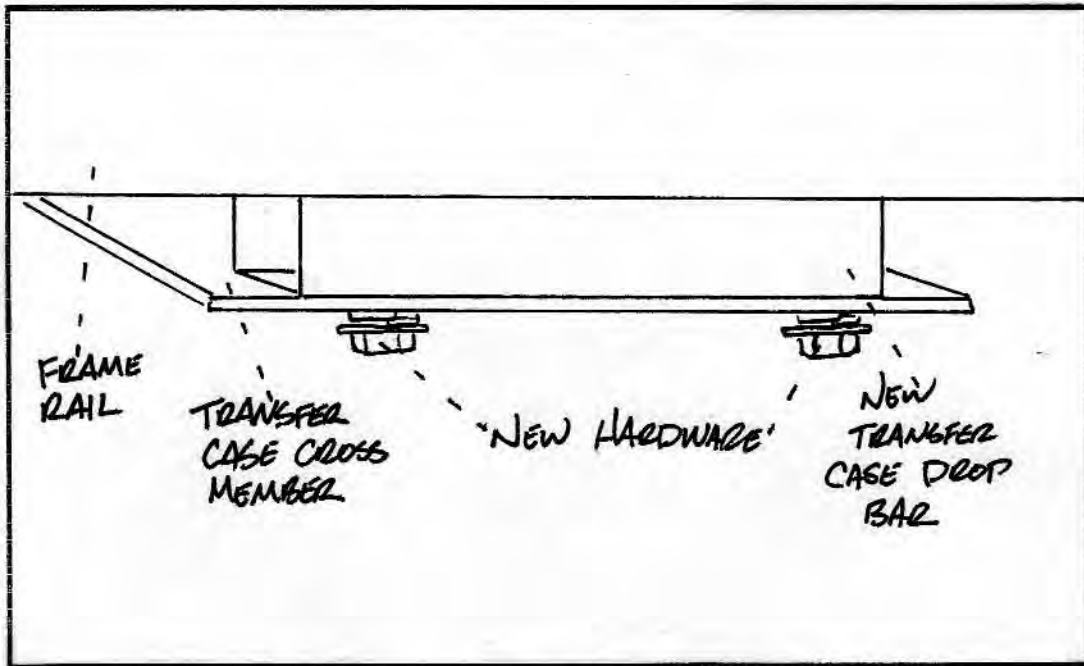


ILLUSTRATION # 7