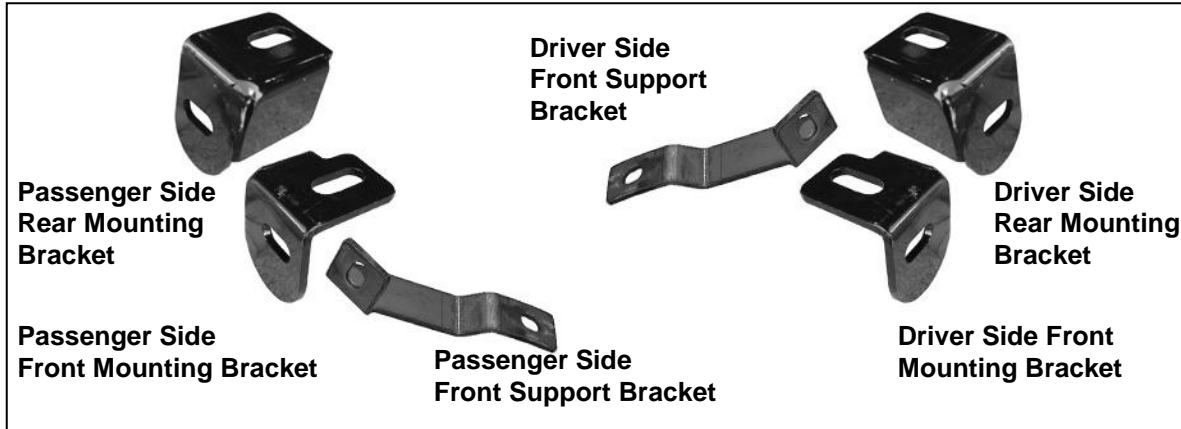




INSTALLATION INSTRUCTIONS

3" SIDE BAR WITH BENT END
04-12 CHEVY COLORADO/ GMC CANYON REG/EXT CAB
PART NUMBER 1-0413 1-5413

	Driver/Left Sidebar	4	14mm x 50mm OD x 4mm Flat Washers
1	Passenger/Right Sidebar	2	12-1.75mm x 120mm Hex Bolts
1	Driver/Left Front Mounting Bracket	2	12mm x 32mm OD x 3mm Flat Washers
1	Passenger/Right Front Mounting Bracket	2	12mm Lock Washers
1	Driver/Left Rear Mounting Bracket	2	12mm Hex Nuts
1	Passenger/Right Rear Mounting Bracket	4	1/2" x 2" Hex Head Bolts
1	Driver/Left Front Support Bracket	4	1/2" Lock Washers
1	Passenger/Right Front Support Bracket	4	1/2" x 1-1/2" x 1/8" Flat Washers



PROCEDURE:

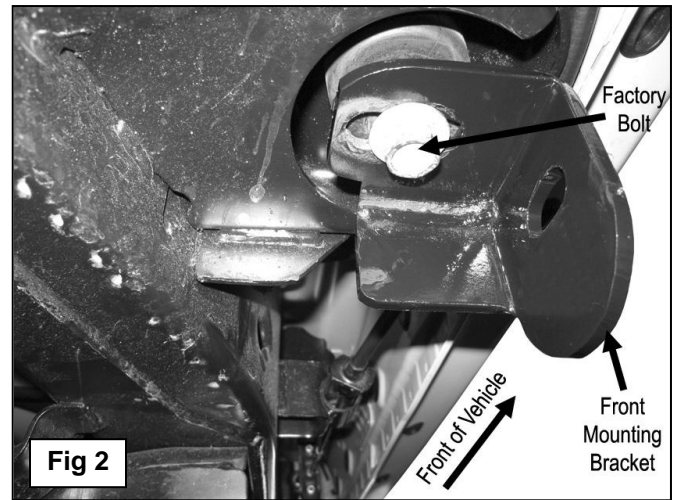
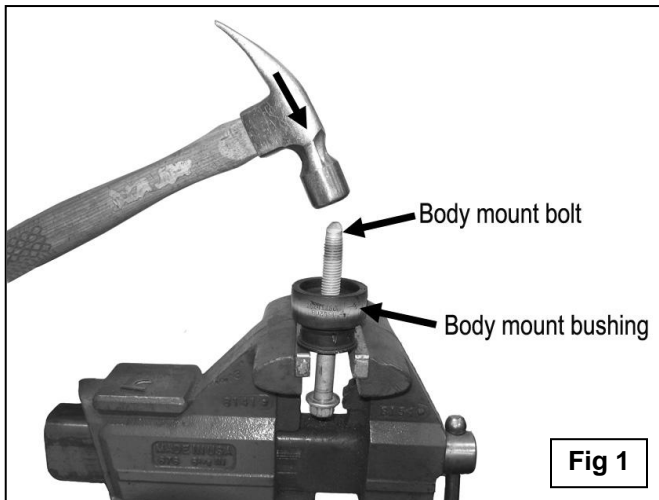
- 1. REMOVE CONTENTS FROM BOX. VERIFY ALL PARTS ARE PRESENT. READ INSTRUCTIONS CAREFULLY BEFORE STARTING INSTALLATION.**
- Starting on the driver side, remove the factory front body mount bolt from the underside of the cab. **NOTE:** Factory body mount bolts will need to be driven out of and back into the steel washer molded into the rubber bushing. Take precautions to avoid damage to the threads or the washer and bushing, **(Figure 1)**.
- Locate the driver side front Mounting Bracket and bolt it to the vehicle using the factory body mount bolt, **(Figure 2)**. **NOTE:** Brackets mount over bushings. Do not tighten at this time.
- Select the driver side Front Support Bracket and insert (1) 12mm x 120mm Hex Bolt with (1) 12mm Flat Washer through the mounting slot. Place (2) 14mm x 50mm OD x 4mm Flat Washers onto the 12mm Hex Bolt between the Support Bracket and the factory body mount, **(Figure 3)**. Insert the 12mm Hex Bolt up through the holes in the factory body mount and secure with (1) 12mm Flat Washer, (1) 12mm Lock Washer and (1) 12mm Hex Nut, **(Figure 4)**. Snug but do not tighten hardware at this time.
- Locate the driver side rear Mounting Bracket and bolt it to the vehicle using the factory body mount bolts, **(Figure 5)**. **NOTE:** Brackets mount over bushings. Refer to Step 2 for installation instructions.
- Carefully position the driver Sidebar up to the Mounting Brackets. Line up the mounting hole in the Front Support Bracket with the hole in the Front Mounting Bracket, **(Figure 6)**. Use the included (2) 1/2" x 2" Hex Head Bolts, (2) 1/2" Lock Washers, and (2) 1/2" Flat Washers to attach the Sidebar to the Mounting Brackets, **(Figure 7 & 8)**.
- Adjust the Sidebar properly and then tighten all hardware.
- Repeat steps 2 – 7 for passenger Sidebar installation.
- Do periodic inspections of the installation to make sure that all hardware is secure and tight.

To protect your investment, wax this product after installing. Regular waxing is recommended to add a protective layer over the finish. Do not use any type of polish or wax that may contain abrasives that could damage the finish.

For stainless steel: Aluminum polish may be used to polish small scratches and scuffs on the finish. Mild soap may be used also to clean the Sidebar.

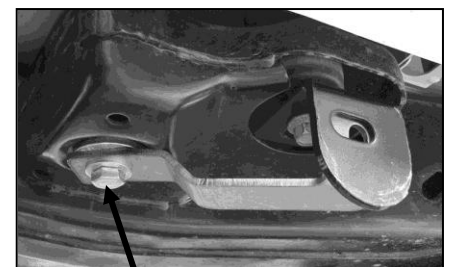
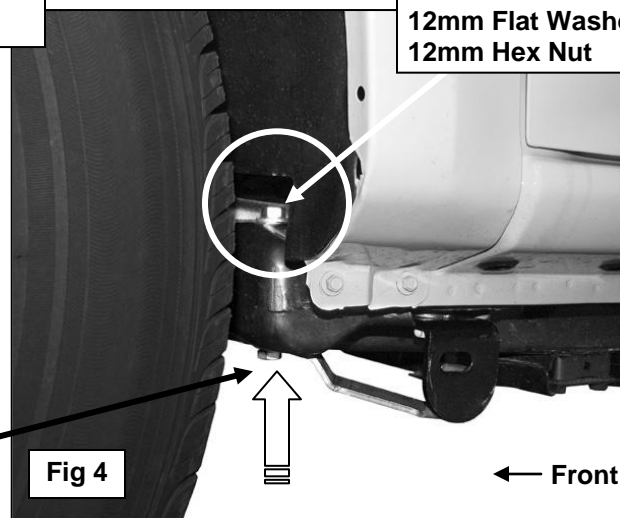
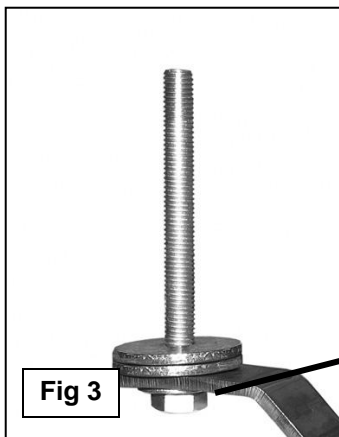
For gloss black finishes: Mild soap may be used to clean the Sidebar

Driver Side Installation Pictured



12mm x 120mm Hex Bolt
12mm Flat Washer
(2) 14mm x 50mm OD x 4mm
Flat Washers

12mm Lock Washer
12mm Flat Washer
12mm Hex Nut



Driver Side Installation Pictured

