

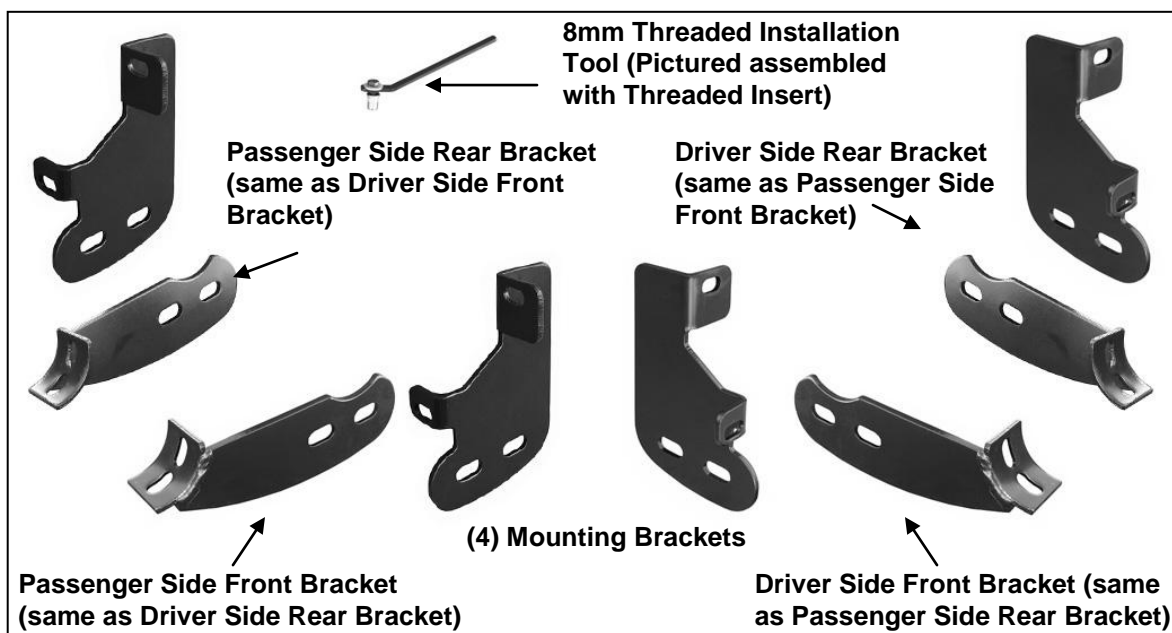


INSTALLATION INSTRUCTIONS

3" SIDEBAR W/45-DEGREE ENDS WITH CRADLE
MOUNTS 04-10 DODGE DURANGO 4-DOOR
06-10 CHRYSLER ASPEN
PART # 1-5362 1-0362

PARTS LIST:

1	Driver/Left Sidebar	8	12mm Nylon Lock Nuts
1	Passenger/Right Sidebar	12	10-1.50mm x 25mm Hex Bolts
4	Frame Mounting Brackets	16	10mm x 20mm OD x 2mm Flat Washers
2	Mounting Brackets (Fit Driver Side Front and Passenger Side Rear)	8	10mm Lock Washers
2	Mounting Brackets (Fit Passenger Side Front and Driver Side Rear)	4	10mm Nylon Lock Nuts
4	8mm Threaded Inserts	5	8-1.25mm x 30mm Hex Bolts
1	8mm Insert Tool W/Bent Handle	4	8mm x 24mm OD x 2mm Flat Washers
8	12-1.75mm x 40mm Hex Bolts	4	8mm Lock Washers
16	12mm x 24mm OD x 2.5mm Flat Washers		



PROCEDURE:

- 1. REMOVE CONTENTS FROM BOX. VERIFY ALL PARTS ARE PRESENT. READ INSTRUCTIONS CAREFULLY BEFORE STARTING INSTALLATION.**
- Starting at the front-passenger side of the vehicle, locate the hex shaped hole in the inner body panel, **(Figure 1)**. Assemble the Threaded Insert Tool as shown in **Figure 2A**. Insert the Threaded Insert assembly into the hex shaped hole. Firmly hold the assembly in place by the handle on the tool, **(Figure 2B)**, and tighten the hex bolt on the assembly until the Threaded Insert has fully expanded and is locked in place, **(Figure 3)**. **NOTE:** Do not over tighten or pull-out may occur. Once the Threaded Insert is properly installed, remove the hex bolt and tool from the Insert. Repeat this step for the rest of the Threaded Inserts required for this installation.
- Remove the plastic trim strip covering the pinch weld at the bottom of the body. Use a pair of pliers to gently squeeze the tabs on the clips together to release the clip from inside of the body panel and push it back through the hole in the pinch weld, **(Figure 3)**. **NOTE:** Carefully release the clips so the trim strip can be reinstalled using the original hardware.
- Select (1) Mounting Bracket. Line up the top mounting hole with the Threaded Insert and the lower hole with the hole in the pinch weld. Bolt the Mounting Bracket to the Threaded Insert with (1) 8mm x 30mm Hex Bolt, (1) 8mm Flat Washer and (1) 8mm Lock Washer, **(Figure 4)**. Bolt the remaining tab on the Bracket to the pinch weld with (1) 10mm x 25mm Hex Bolt, (2) 10mm Flat Washers and (1) 10mm Nylon Lock Nut, **(Figure 5)**. Snug but do not tighten hardware at this time.
- Repeat Steps 2-4 for the passenger side rear Frame Mounting Bracket installation, **(Figure 6)**.

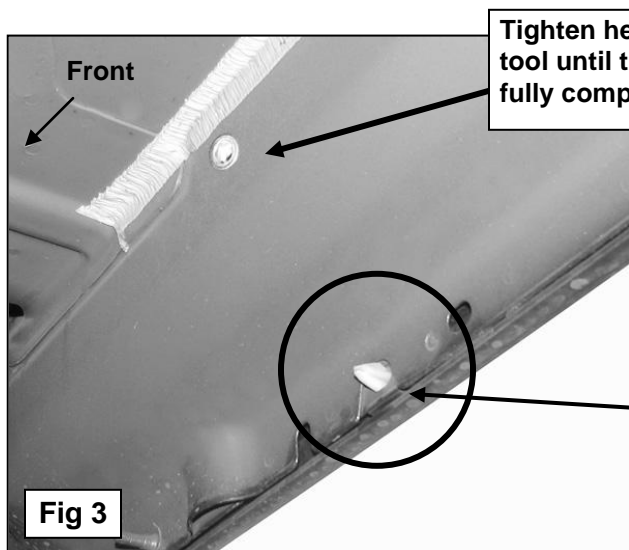
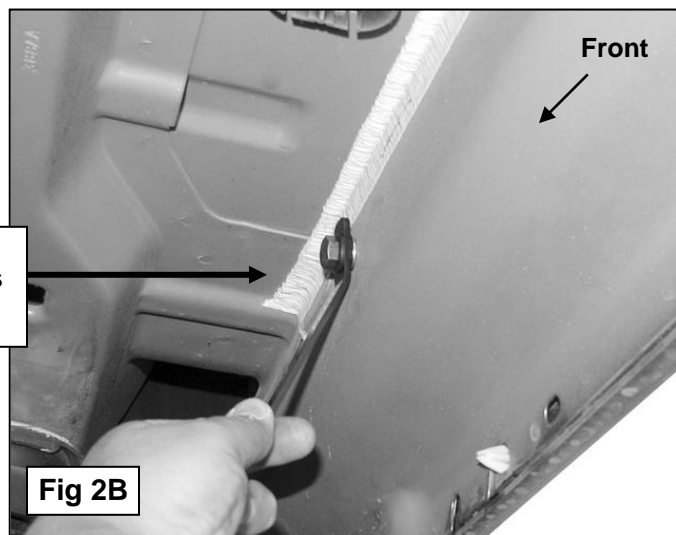
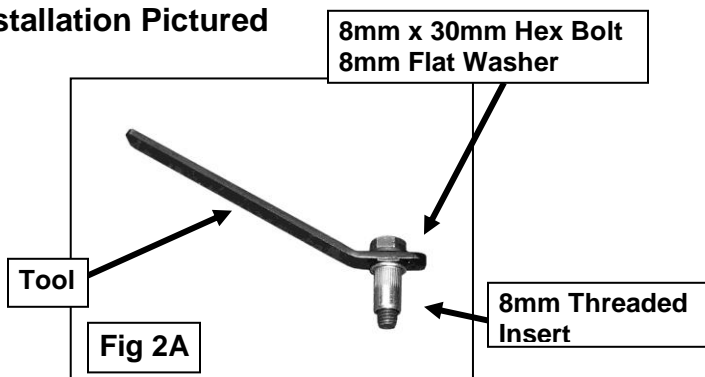
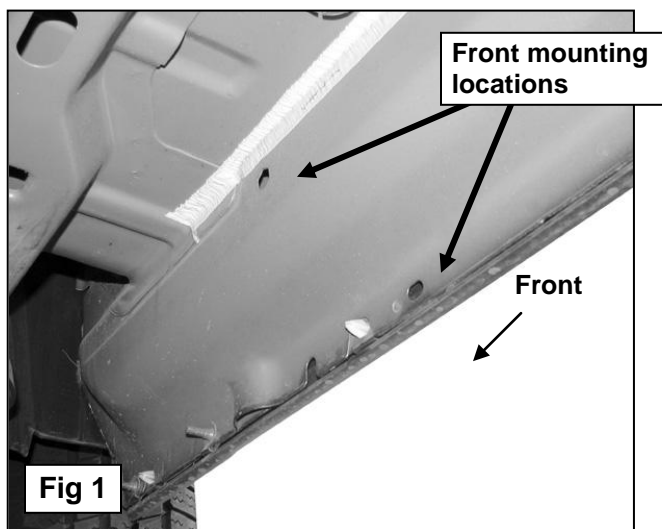
6. Select the passenger side Front Sidebar Mounting Bracket. Place it in position up to the inside of the Frame Bracket and bolt together with the included (2) 12mm x 40mm Hex Bolts, (4) 12mm Flat Washers and (2) 12mm Nylon Lock Nuts, **(Figure 7)**. Snug but do not tighten hardware at this time. Repeat this Step for passenger side Rear Mounting Bracket installation.
7. Carefully place the passenger sidebar onto the two Mounting Brackets and line up the threaded inserts in the bottom of the tube with the slots in the cradles. Bolt the Sidebar to the cradles with the included (4) 10mm x 25mm Hex Bolts, (4) 10mm Lock Washers and (4) 10mm Flat Washers, **(Figure 7)**. Do not tighten hardware at this time.
8. Level and align the Sidebar with the vehicle and tighten all hardware.
9. Repeat Steps 2-8 for the driver Sidebar installation.
10. Do periodic inspections to the installation to make sure all hardware is secure and tight.

To protect your investment, wax this product after installing. Regular waxing is recommended to add a protective layer over the finish. Do not use any type of polish or wax that may contain abrasives that could damage the finish.

For stainless steel: Aluminum polish may be used to polish small scratches and scuffs on the finish. Mild soap may be used also to clean the Sidebar.

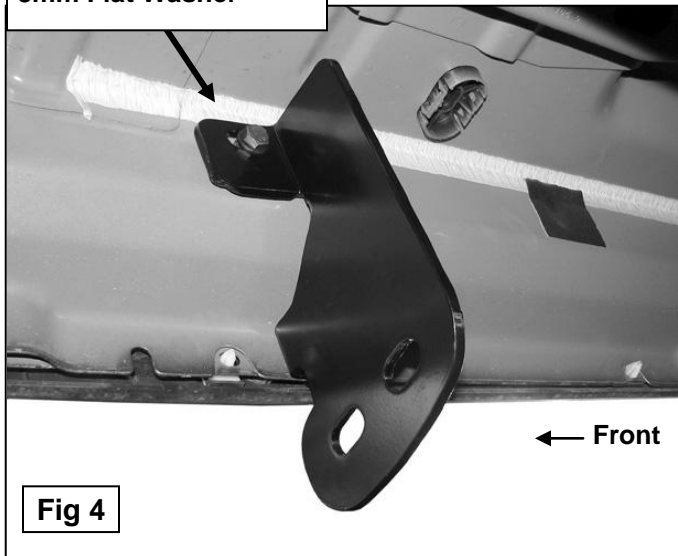
For gloss black finishes: Mild soap may be used to clean the Sidebar.

Passenger Side Installation Pictured

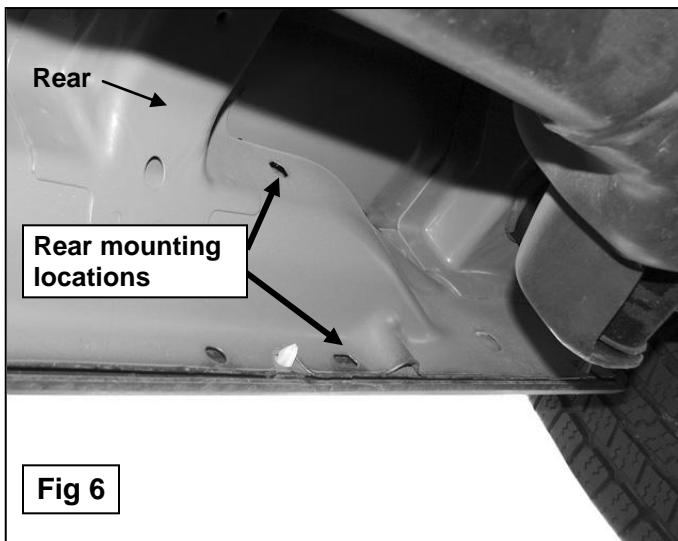
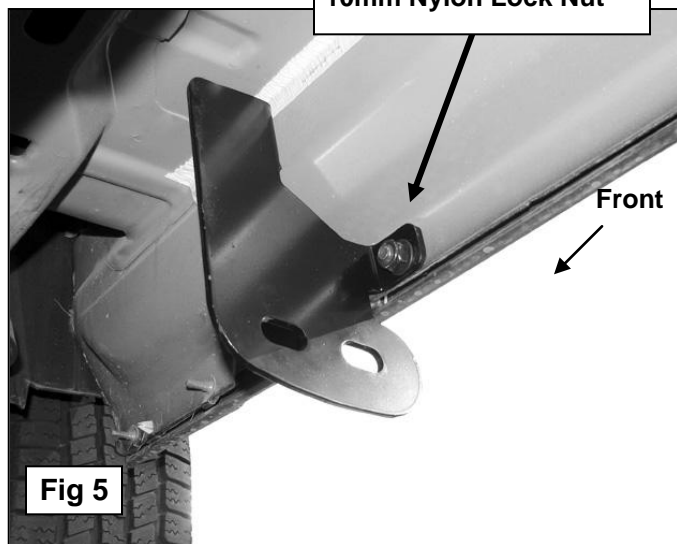


Passenger Side Installation Pictured

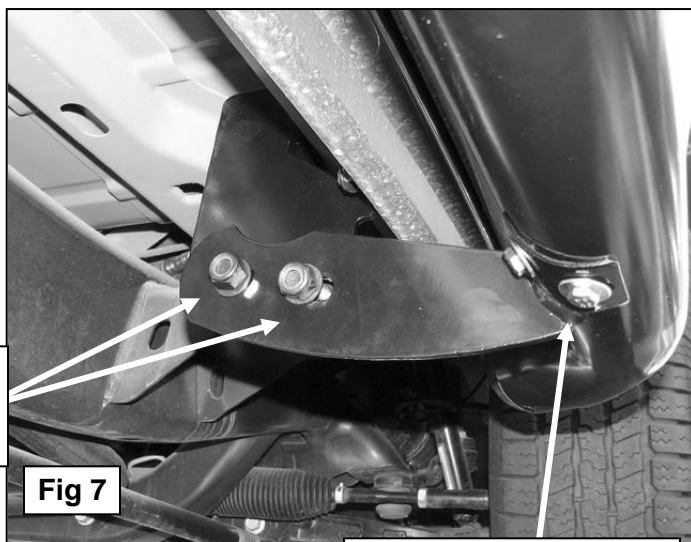
8mm x 30mm Hex Bolt
8mm Lock Washer
8mm Flat Washer



10mm x 25mm Hex Bolt
(2) 10mm Flat Washers
10mm Nylon Lock Nut



(2) 12mm x 40mm Hex Bolts
(4) 12mm Flat Washers
(2) 12mm Nylon Lock Nut



10mm x 25mm Hex Bolt
10mm Lock Washer
10mm Flat Washer