



INSTALLATION INSTRUCTIONS
02-09 CHEVROLET TRAILBLAZER 2/4WD
2002-2009 GMC ENVOY 2/4WD
SIDE BAR PART # 1-0312 1-5312

PARTS LIST

(2) SIDE TUBES WITH STEPS HEAD BOLT	(16) M8 – 1.25 x 30mm HEX
(2) FRONT MOUNT BRACKETS WASHER	(16) M8 SPLIT LOCK
(2) REAR MOUNT BRACKETS	(20) M8 FLAT WASHER
(4) MOUNT BRACES	(8) 3/8” – 16 x 1.00” BUTTON
HEAD CAP SCREW	
(4) M8 – 1.25 HEX NUT	(8) 3/8” – SPLIT LOCK WASHER

PROCEDURE

1. Begin installation by working on driver side of the vehicle (refer to Figures 1.1- 1.3)
2. Install Mount Brackets to vehicle body posts using (2) M8 – 1.25 x 30mm hex head bolts, (2) M8 split lock washers, and (2) M8 flat washers, in that order. Hand tighten.
3. Fasten Mount Brace to inside rocker panel using (1) M8 – 1.25 x 30mm hex head bolt, (1) M8 split lock washer, and (1) M8 flat washer. Attach other end of Mount Brace to Mount Bracket using (1) M8 – 1.25 x 30mm hex head bolt, (2) M8 flat washers, (1) M8 split lock washer, and (1) M8 – 1.25 hex nut. Hand tighten.
4. Position Side Tube in place and fasten to Mount Brackets using (4) 3/8” – 16 x 1.00” button head cap screws and (4) 3/8” split lock washers. Hand tighten.
5. Level and adjust Side Tube as desired and adjust Mount Brackets to ensure a solid fit. Torque 8mm hardware to 25 FT-LBS and 3/8” hardware to 30 FT-LBS.
6. Repeat process for passenger side of vehicle to complete installation.

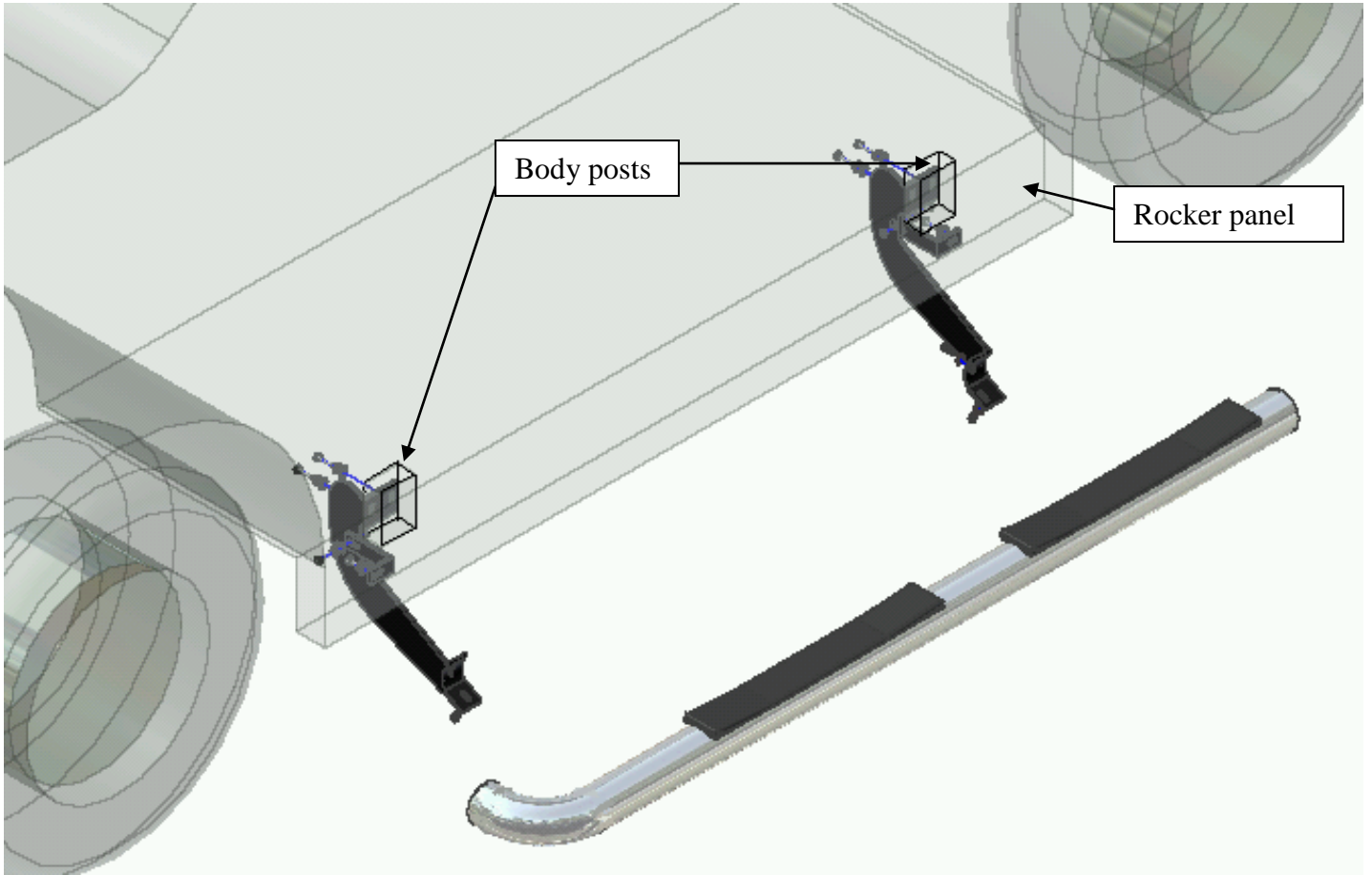


Figure 1.1 - Front Driver-Side View

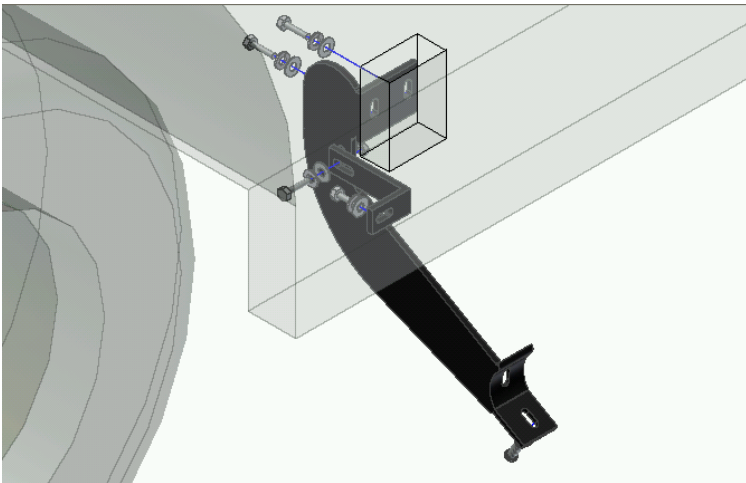


Figure 1.2 - Front Bracket

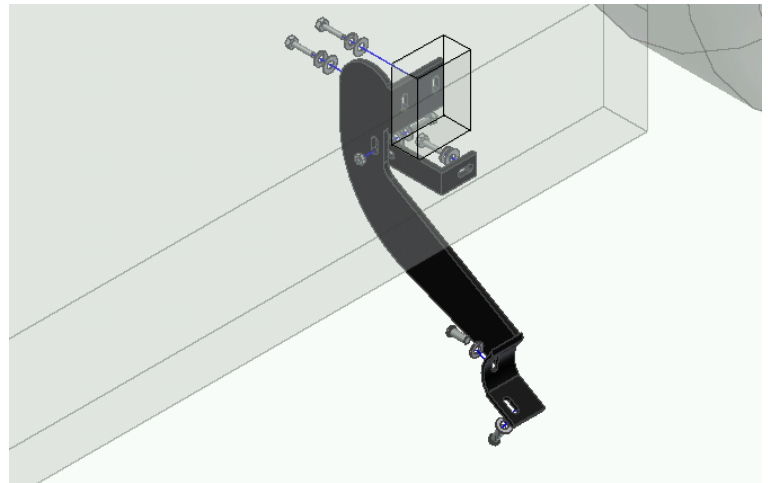


Figure 1.3 - Rear Bracket