



INSTALLATION INSTRUCTIONS

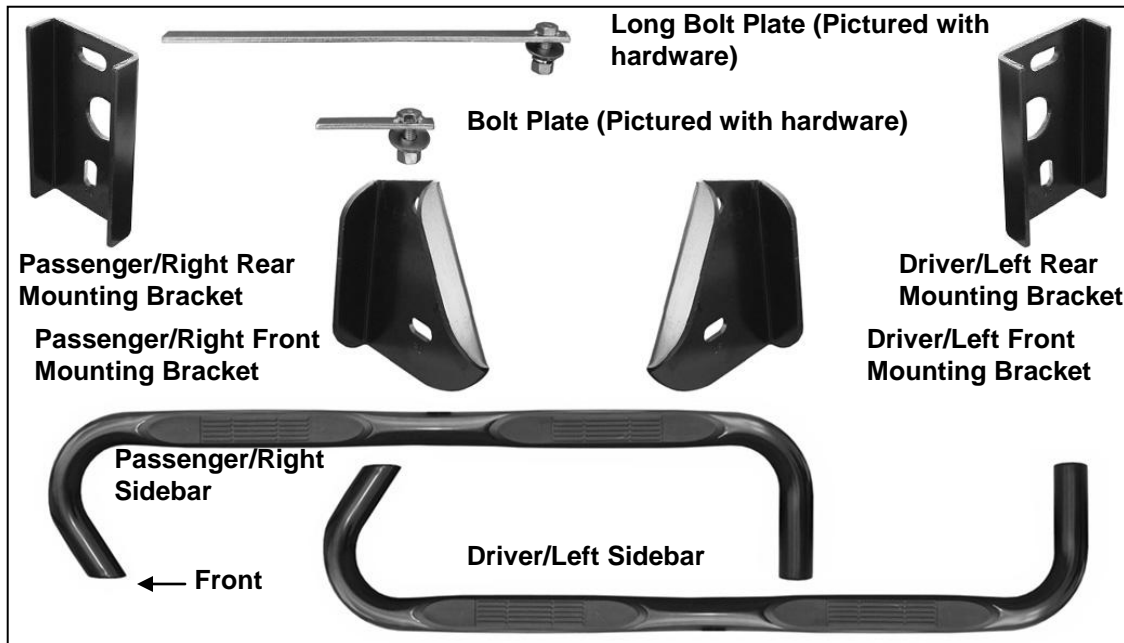
3" SIDEBAR

2000-06 TOYOTA TUNDRA ACCESS CAB

PART NUMBER 1-0152 1-5152

PARTS LIST:

1	Driver/Left Sidebar	1	1/2" x 1-1/2" x 15" Long Bolt Plate
1	Passenger/Right Sidebar	1	1/2" x 1-1/2" x 4" Short Bolt Plate
1	Driver/Left Front Mounting Bracket	10	1/2" x 1-3/8" OD x 3/32" Flat Washers
1	Passenger/Right Front Mounting Bracket	8	1/2" Lock Washers
1	Driver/Left Rear Mounting Bracket	4	1/2" Hex Nuts
1	Passenger/Right Rear Mounting Bracket	6	1/2" x 2" Hex Bolts



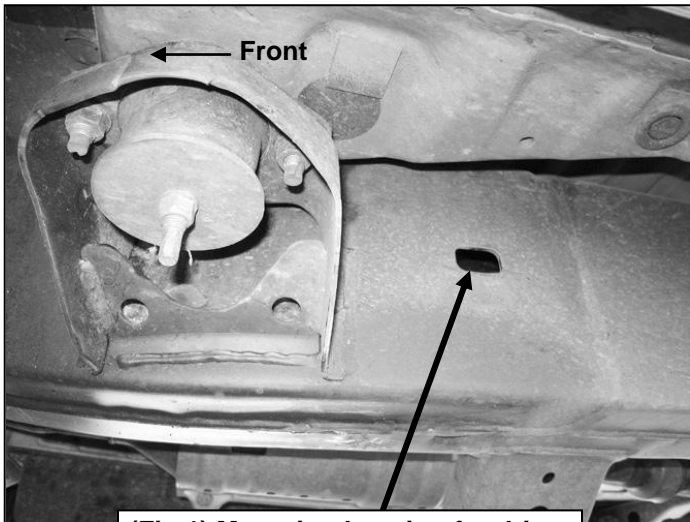
PROCEDURE:

1. REMOVE CONTENTS FROM BOX. VERIFY ALL PARTS ARE PRESENT. READ INSTRUCTIONS CAREFULLY BEFORE STARTING INSTALLATION.
2. Start installation from under the driver side of the vehicle. Locate the rectangular factory hole in the side of the frame behind the front body mount, **(Figure 1)**.
3. Select the 1/2" x 15" Long Bolt Plate, **(Figure 3B)**. **NOTE:** Use the Long Bolt Plate for driver side installation and the Short Bolt Plate for passenger side front bracket installation. From the back of the frame, insert the bolt plate into the open end of the boxed frame, **(Figure 2)**, and up to and out of the rectangular opening in the outside of the frame, **(Figure 3A)**. Line up the top hole in the driver front Mounting Bracket with the Bolt Plate. Attach the Bracket to the Bolt Plate with (1) 1/2" Flat Washer, (1) 1/2" Lock Washer and (1) 1/2" Hex Nut, **(Figure 4)**. Hand-tighten only at this time.
4. Move towards the rear of the vehicle and locate the factory hole in the frame below the rear body mount, **(Figure 5)**. Select the driver side Rear Mounting Bracket. From the back of the frame channel, insert (1) 1/2" x 2" Hex Bolt with (1) 1/2" Flat Washer through the factory hole. Line up the horizontal top slot in the Bracket with the Hex Bolt, **(Figure 6)**. Attach the Rear Mounting Bracket to the Hex Bolt with the supplied (1) 1/2" Flat Washer, (1) 1/2" Lock Washer and (1) 1/2" Hex Nut, **(Figure 7)**. Hand-tighten hardware only at this time.
5. Carefully unwrap the driver Sidebar. Bolt the Sidebar to the Mounting Brackets using the included (2) 1/2" x 2" Hex Bolts, (2) 1/2" Lock Washers and (2) 1/2" Flat Washers, **(Figure 8)**. **IMPORTANT:** Curved end of Sidebar will bolt to front Bracket and 90-degree bent end will bolt to rear Bracket. Leave loose at this time.
6. Level and adjust Sidebar properly and tighten all hardware.

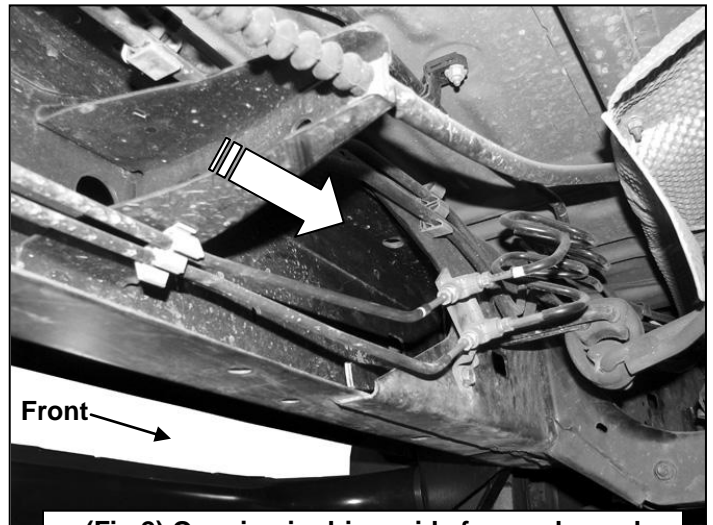
**3" SIDEBAR
2000-06 TOYOTA TUNDRA ACCESS CAB**

7. Repeat **Steps 2 – 6** to install the passenger Sidebar onto the vehicle. **NOTE:** Use the provided (1) 1/2" x 4" Bolt Plate to secure the passenger side Front Bracket to the frame channel.
 8. Do periodic inspections to the installation to make sure that all hardware is secure and tight.
- To protect your investment,** wax this product after installing. Regular waxing is recommended to add a protective layer over the finish. Do not use any type of polish or wax that may contain abrasives that could damage the finish.
- For stainless steel:** Aluminum polish may be used to polish small scratches and scuffs on the finish. Mild soap may be used also to clean the Sidebar.
- For gloss black finishes:** Mild soap may be used to clean the Sidebar.

Driver Side Installation Pictured



(Fig 1) Mounting location for driver side front Mounting Bracket

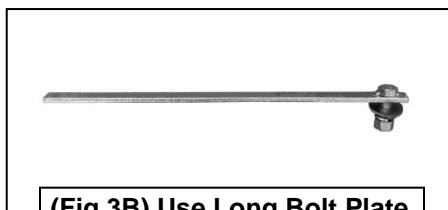


(Fig 2) Opening in driver side frame channel pictured from below and behind frame channel



(Fig 3A) Inside view of Long Bolt Plate installed in driver side frame channel

- 1/2" Flat Washer
- 1/2" Lock Washer
- 1/2" Hex Nut

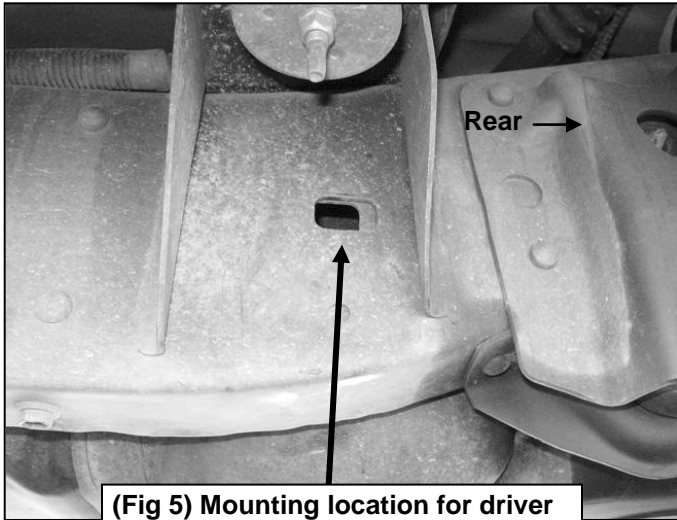


(Fig 3B) Use Long Bolt Plate for driver side installation and use Short Bolt Plate for passenger side only



Fig 4

Driver Side Installation Pictured



(Fig 5) Mounting location for driver side rear Mounting Bracket

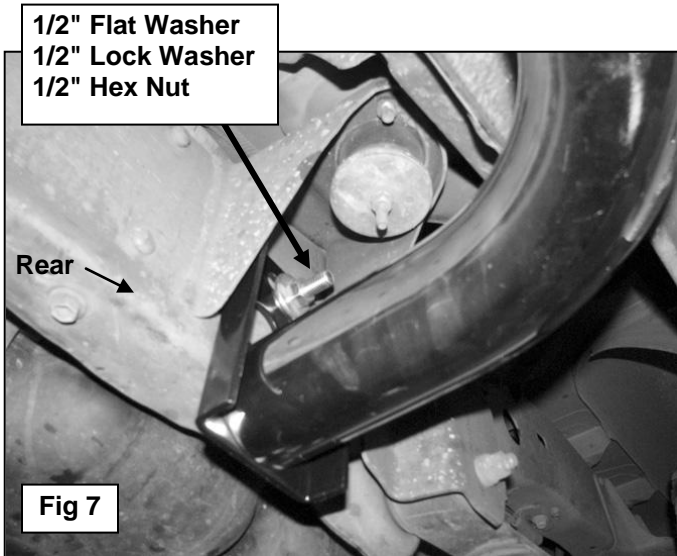
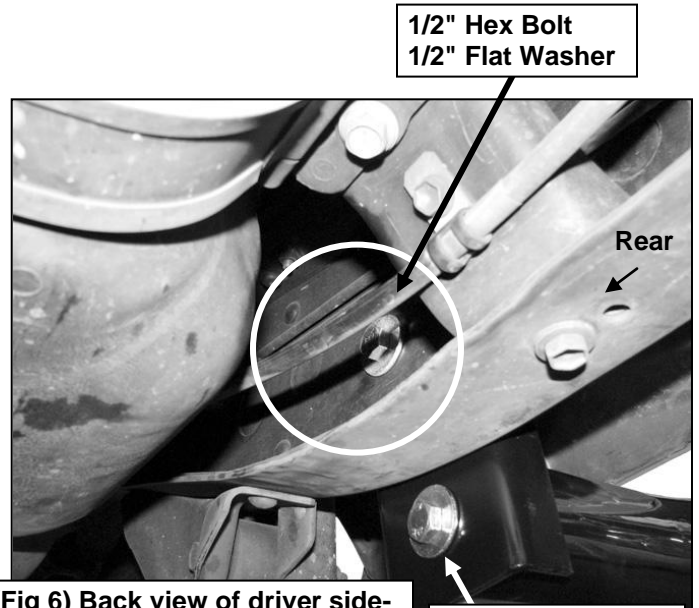


Fig 7



(Fig 6) Back view of driver side-rear frame channel pictured

1/2" Hex Bolt
1/2" Lock Washer
1/2" Flat Washer

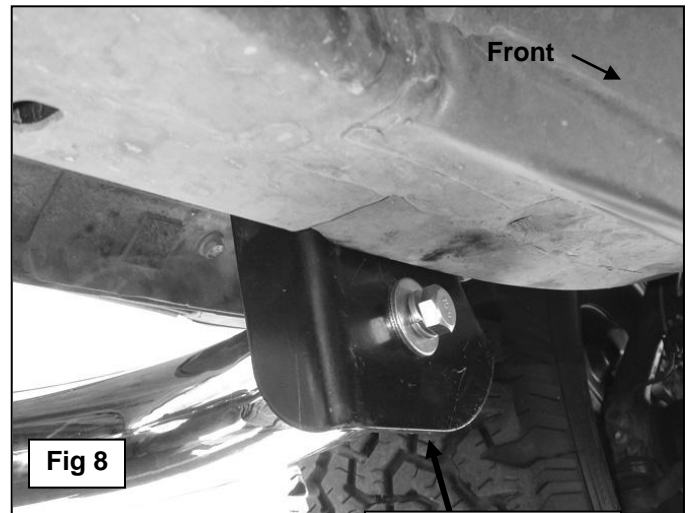


Fig 8

1/2" Hex Bolt
1/2" Lock Washer
1/2" Flat Washer



Complete Installation