

INSTALLATION INSTRUCTIONS

BULL BAR

**99-07 CHEVY/GMC SILVERADO /GMC SIERRA "CLASSIC" 1500LD
00-06 TAHOE/SUBURBAN/YUKON/XL; 02-06 AVALANCHE - 1500 1/2 TON MODELS
PART NUMBER 200711**

**99-07 CHEVY/GMC SILVERADO /GMC SIERRA "CLASSIC" 1500LD
00-06 TAHOE/SUBURBAN/YUKON/XL; 02-06 AVALANCHE - 1500 1/2 TON MODELS**

Part List

Item	Qty	Contents
1	1	Bull Bar Assembly
2	2	Brackets-Passenger/Driver Side
3	2	M12 Bolt Plates
5	8	M12 Flat Washer
6	4	M12 Lock Washer
7	2	M12 Hex Nut
8	4	M10*35 Hex Head Bolt
9	8	M10 Flat Washer
10	4	M10 Lock Washer
11	4	M10 Hex Nut
12	2	M12-1.75X40MM Hex Head Bolt
13	2	M12-1.75 Hex Nut

PRODUCT INSTALLATION:

1. Verify all parts & hardware are present. Please read Instruction Sheets before installing. No drilling required.
2. Determine passenger and driver brackets. From underneath vehicle, remove tow hooks. Insert bolt plates through large holes and M12-1.75 x 40mm hex head bolts through small holes in bottom frame locations. SEE FIGURE 1.
3. Attach brackets to frame using 1/2" fasteners as shown. Leave loose.
NOTE: For vehicles without tow hooks a small opening may need to be cut-out in the two inside indents of the air dam using a utility knife. SEE FIGURE 2
4. Attach Bull Bar to brackets using 3/8" fasteners as shown. NOTE: 1999-02 models use front and middle holes on the hoop mounting brackets. 2003-UP models use middle and rear holes.
SEE FIGURE 1
5. Level and adjust Bull Bar as desired.
Torque 1/2" fasteners to 65 ft/lbs and 3/8" fasteners to 30 ft/lbs.

OPTIONAL LIGHT INSTALLATION:

Insert the threaded stud on base of the light through hole in cross tube. Using a ratchet, extension and socket for correct size of nut supplied, insert through large clearance hole in bottom of cross tube. Thread nut and washers on stud and tighten. NOTE: A short socket, not a deep-socket, works best to get the nut started. If not installing lights, plug mount holes with rubber caps provided.

**99-07 CHEVY/GMC SILVERADO /GMC SIERRA "CLASSIC" 1500LD
00-06 TAHOE/SUBURBAN/YUKON/XL; 02-06 AVALANCHE - 1500 1/2 TON MODELS**

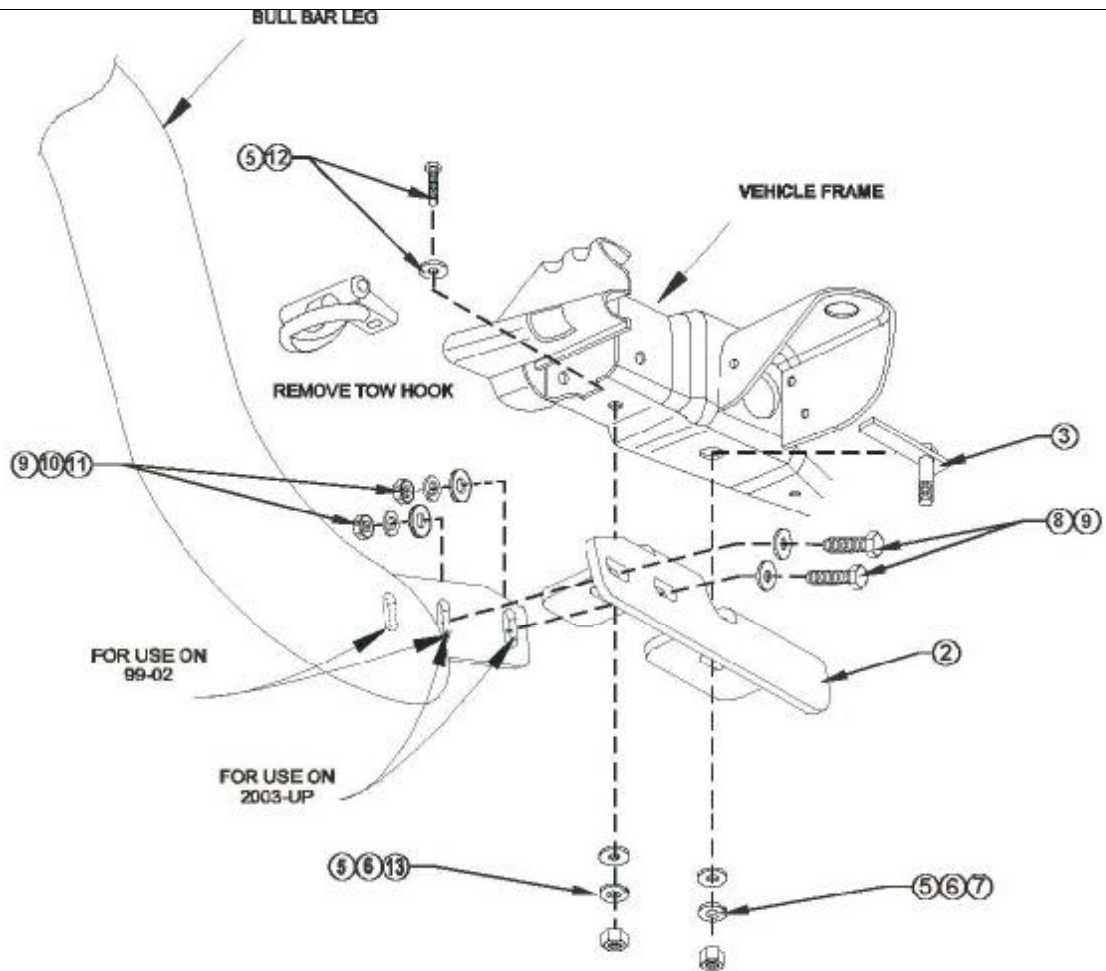


FIGURE 1 DRIVER SIDE INSTALLATION SHOWN, PASSENGER SIDE OPPOSITE

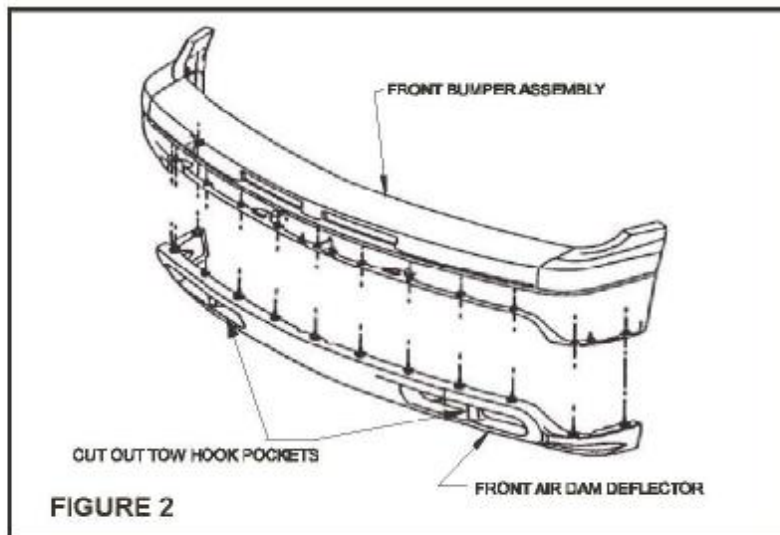


FIGURE 2