



INSTALLATION INSTRUCTIONS

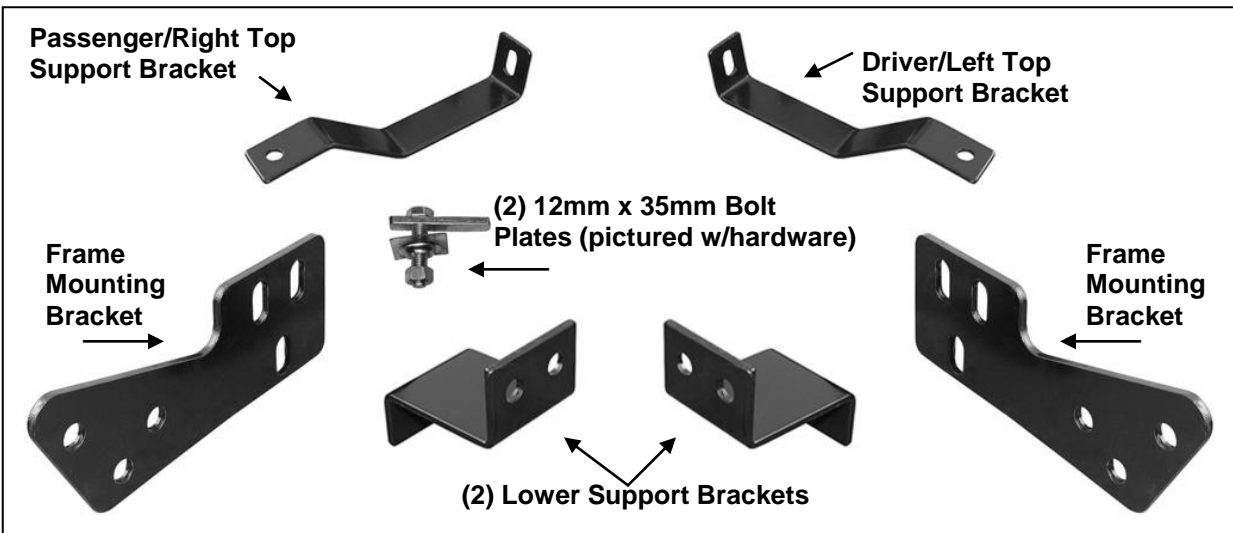
GRILLE GUARD

07-13 CHEVY TAHOE / AVALANCHE 1500/ SUBURBAN 1500

PART NUMBER 3-5112 4-0112

PARTS LIST:

1	Grille Guard	2	12-1.75mm x 140mm Hex Bolts
2	Frame Mounting Brackets	8	12-1.75mm x 30mm Hex Bolts
2	Lower Support Brackets	22	12mm x 24mm OD x 2.5mm Flat Washers
1	Driver/Left Top Support Bracket	12	12mm Nylon Lock Nuts
1	Passenger/Right Top Support Bracket	2	6-1.0mm x 20mm Button Head Allen Bolts
1	Wrench S=4	2	6mm x 12mm OD x 1.6mm Flat Washers
2	12-1.75mm x 35mm Bolt Plates (#11)	2	6mm Lock Washers
2	12mm Plastic Retainers		



PROCEDURE:

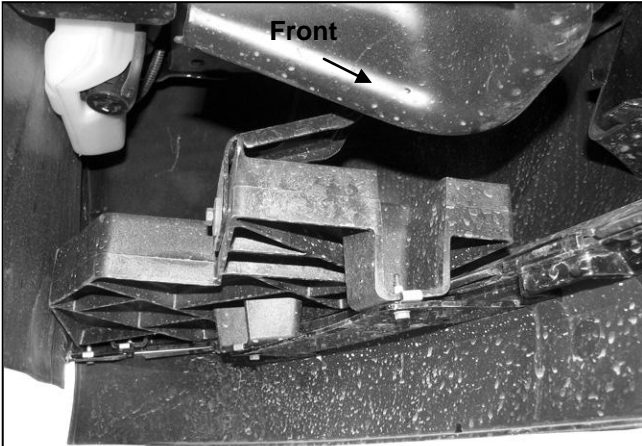
- 1. REMOVE CONTENTS FROM BOX. VERIFY ALL PARTS ARE PRESENT. READ INSTRUCTIONS CAREFULLY BEFORE STARTING INSTALLATION. ASSISTANCE IS RECOMMENDED. CUTTING MAY BE REQUIRED.**
- 2. NOTE:** It may be necessary to remove/relocate front license plate and license plate bracket. It is not required, but strongly recommended. If local/state law requires a license plate, a license plate relocation kit is available.
3. Start installation from under the front of the vehicle. Remove the plastic lower bumper reinforcements behind the outer ends of the bumper cover, **(Figure 1)**. Next, remove the factory tow hooks and trim rings if equipped, **(Figures 2 & 3)**. **NOTE:** This Grille Guard is not compatible with factory tow hooks.
4. Locate the (3) holes in the forward end of the frame channel. Insert (1) Bolt Plate into the open end of the frame channel and out the rearmost hole in the side of the frame, **(Figure 3)**. Thread (1) 12mm Plastic Retainer Washer onto the threaded end of the Bolt Plate to help hold the Bolt Plate in position during Bracket installation.
 - a. On the passenger side, the Bolt Plate will install through the outer wall of the frame rail.
 - b. On the driver side, the Bolt Plate will install through the inner wall of the frame, **(Figures 5A & 5B)**.
5. Insert (1) Mounting Bracket up from behind the passenger side of the bumper and out through the opening. Determine if the plastic trim rings need to be cut to clear the Mounting Brackets. Repeat this Step for driver side Bracket fitment.

- a. **On vehicles without tow hooks:** The bumper may have plastic fill covers completely blocking the openings in the bumper or an indented area only and no opening. Cut slots to clear the flat Mounting Brackets. Reinstall the fill covers if removed.
 - b. **On vehicles with tow hooks:** The bumper may have plastic trim around the tow hooks, **(Figure 2)**. Cut as required to clear the Mounting Brackets or do not reinstall.
6. Position the passenger side Bracket onto the outside of the frame channel over the Bolt Plate, **(Step 4)**. Loosely attach the Bracket to the Bolt Plate using the included (1) 12mm Flat Washer and (1) 12mm Nylon Lock Nut. Hold the Bracket in place and line up the mounting holes on the frame with the remaining hole in the bracket.
7. Select (1) Lower Support Bracket. Line up the forward hole in the Support Bracket with the hole in the inner wall of the frame channel. Insert (1) 12mm x 140mm Long Hex Bolt and (1) 12mm Flat Washer through the Support Bracket, both sides of the frame channel and out the remaining hole in the Mounting Bracket, **(Figures 5A, 5B & 5C)**. Secure with the included (1) 12mm Flat Washer and (1) 12mm Nylon Lock Nut.
8. Line up the single hole in the bottom of the Support Bracket with the hole in the Mounting Bracket. Bolt the (2) Brackets together with the included (1) 12mm x 30mm Hex Bolt, (2) 12mm Flat Washers and (1) 12mm Nylon Lock Nut, **(Figures 5B & 5D)**. Snug but do not fully tighten hardware at this time.
9. Move over to the driver side. Select (1) Lower Support Bracket and slide it over the Bolt Plate described in **Step 4b, (Figure 6A)**. Secure the Bracket to the Bolt Plate with (1) 12mm Flat Washer and (1) 12mm Nylon Lock Nut. Do not tighten hardware.
10. Select (1) Mounting Bracket and hold it in place over the single hole in the outside of the frame channel. Insert (1) 12mm x 140mm Long Hex Bolt with (1) 12mm Flat Washer through the Mounting Bracket, both sides of the frame channel and through the Support Bracket. Secure with (1) 12mm Flat Washer and (1) 12mm Nylon Lock Nut. Bolt the (2) Brackets together with the included (1) 12mm x 30mm Hex Bolt, (2) 12mm Flat Washers and (1) 12mm Nylon Lock Nut as described in **Step 8, (Figures 6A & 6B)**. Snug but do not fully tighten hardware at this time.
11. Open the hood and locate the factory hex bolt on the passenger side of the top radiator support, **(Figure 7)**. Remove the factory hex bolt. Select the passenger side Top Support Bracket and line up the hole in the bent end with the mounting hole in the radiator support. Bolt the Support Bracket to the radiator support with the factory hex bolt, **(Figure 8A & 8B)**. Do not tighten at this time. Repeat this step to install the driver side Top Support Bracket.
12. With help, position the Grille Guard onto the outside of the Lower Mounting Brackets. Bolt the Grille Guard to the Mounting Brackets using (6) 12mm x 30mm Hex Bolts, (12) 12mm Flat Washers and (6) 12mm Nylon Lock Nuts, **(Figure 9)**. Tilt the Grille Guard toward the vehicle and line up the (2) Top Support Brackets with the threaded holes in the bottom of the tube on the Grille Guard. Bolt the Brackets to the Grille Guard with the included (2) 6mm x 20mm Button Head Bolts, (2) 6mm Lock Washers and (2) 6mm Flat Washers, **(Figure 8B)**. Do not tighten hardware at this time.
13. Align and adjust the Grille Guard and tighten all hardware. Reinstall the (2) plastic bumper reinforcements removed in **Step 3**.
14. Do periodic inspections to the installation to make sure that all hardware is secure and tight.

To protect your investment, wax this product after installing. Regular waxing is recommended to add a protective layer over the finish. Do not use any type of polish or wax that may contain abrasives that could damage the finish.

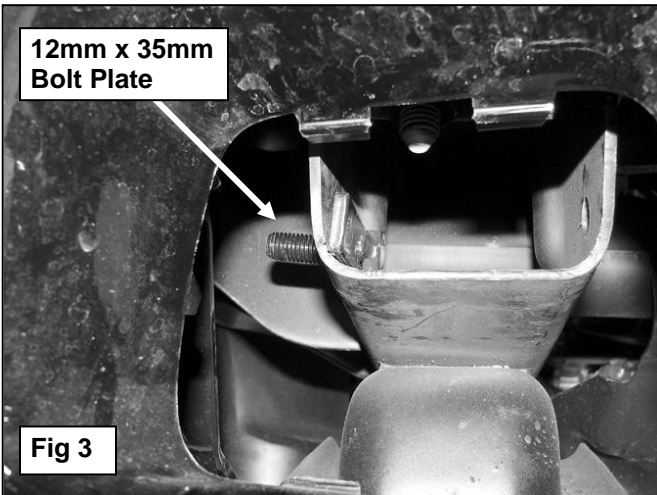
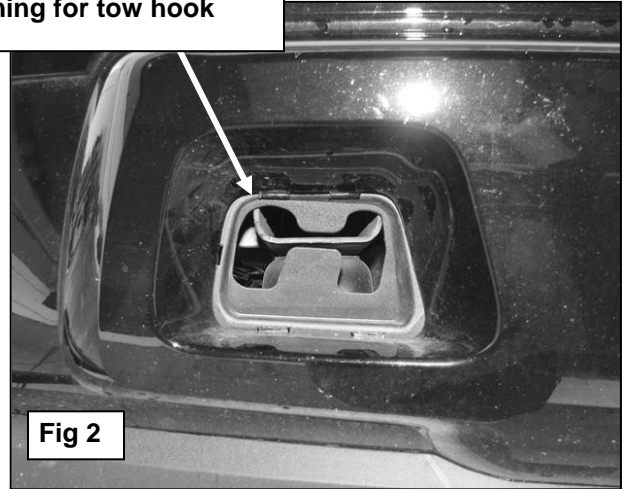
For stainless steel: Aluminum polish may be used to polish small scratches and scuffs on the finish. Mild soap may be used also to clean the Bull Bar.

For gloss black finishes: Mild soap may be used to clean the Bull Bar.

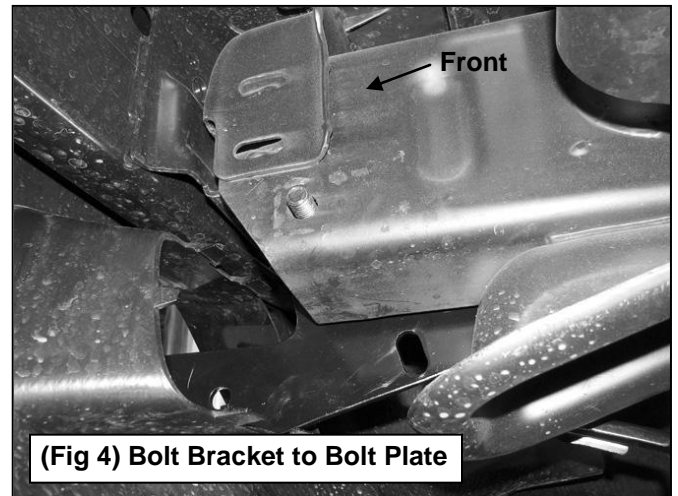


(Fig 1) Remove plastic bumper reinforcements (back of driver side pictured)

Remove trim ring around opening for tow hook

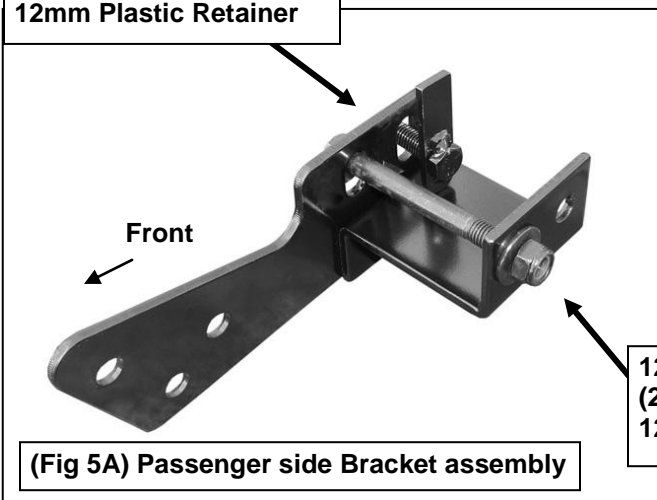


12mm x 35mm Bolt Plate



(Fig 4) Bolt Bracket to Bolt Plate

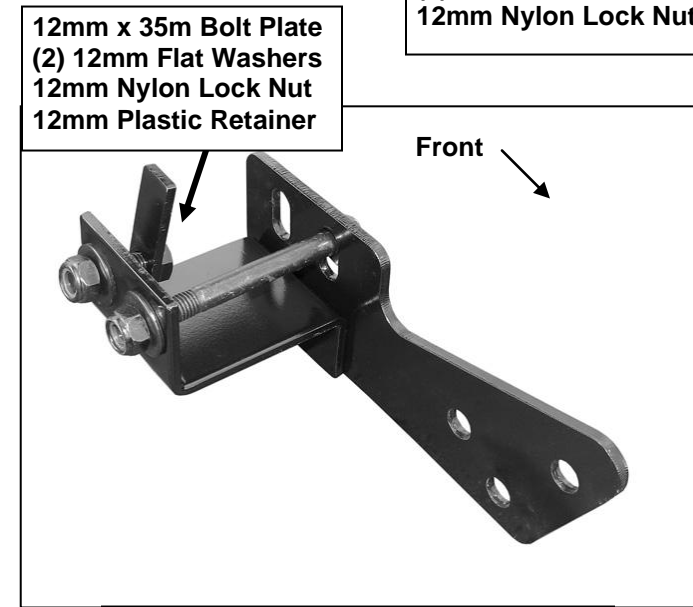
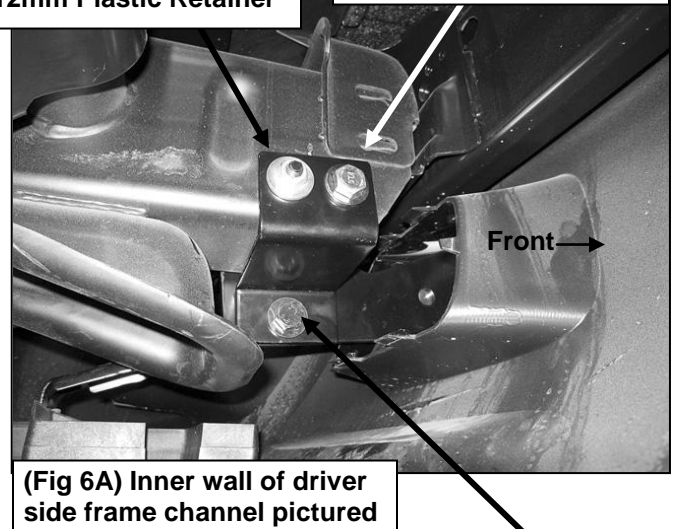
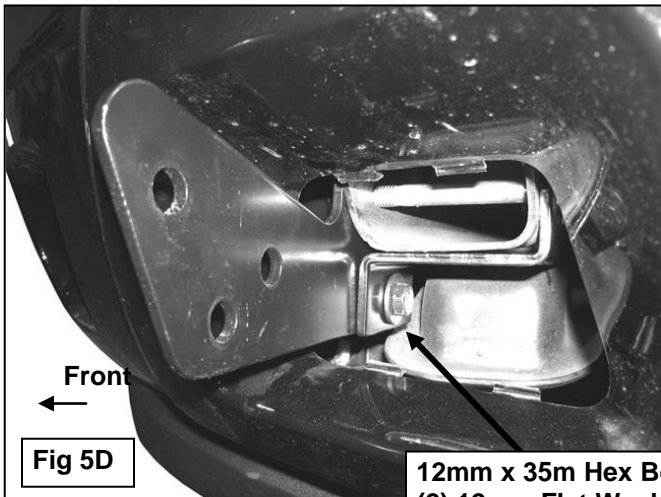
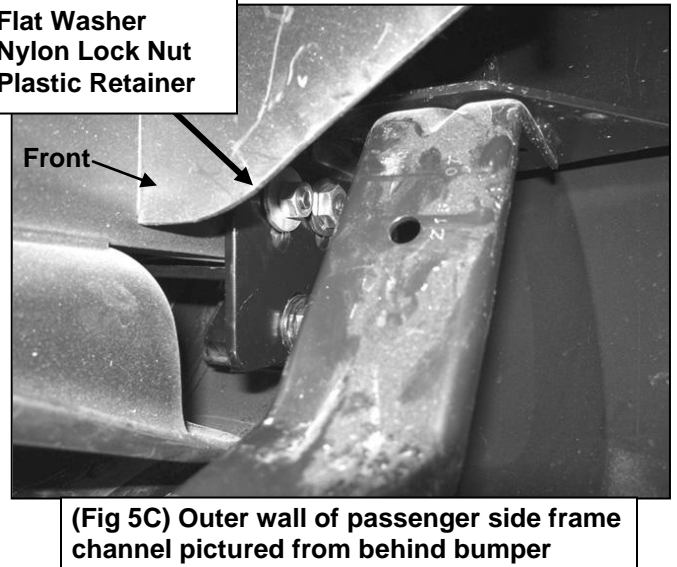
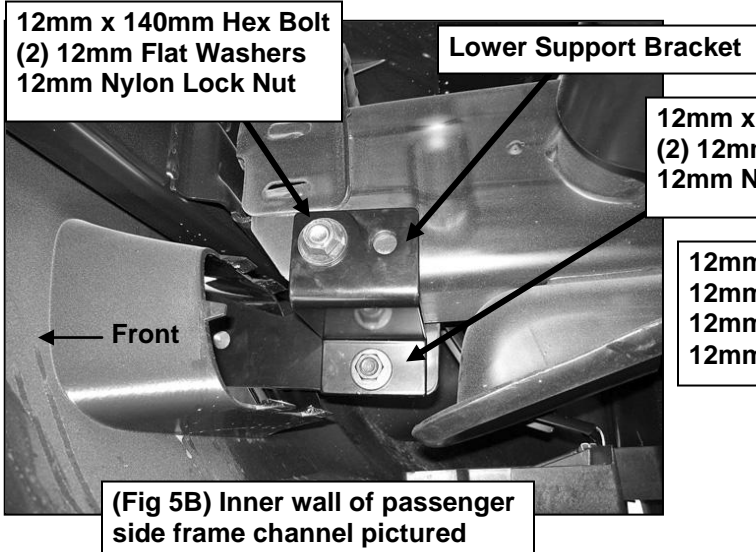
12mm x 35mm Bolt Plate
12mm Flat Washer
12mm Nylon Lock Nut
12mm Plastic Retainer



(Fig 5A) Passenger side Bracket assembly

12mm x 140mm Hex Bolt
(2) 12mm Flat Washers
12mm Nylon Lock Nut

Inner wall of passenger side frame channel pictured from behind bumper



Passenger Side Installation Pictured

