



INSTALLATION INSTRUCTIONS

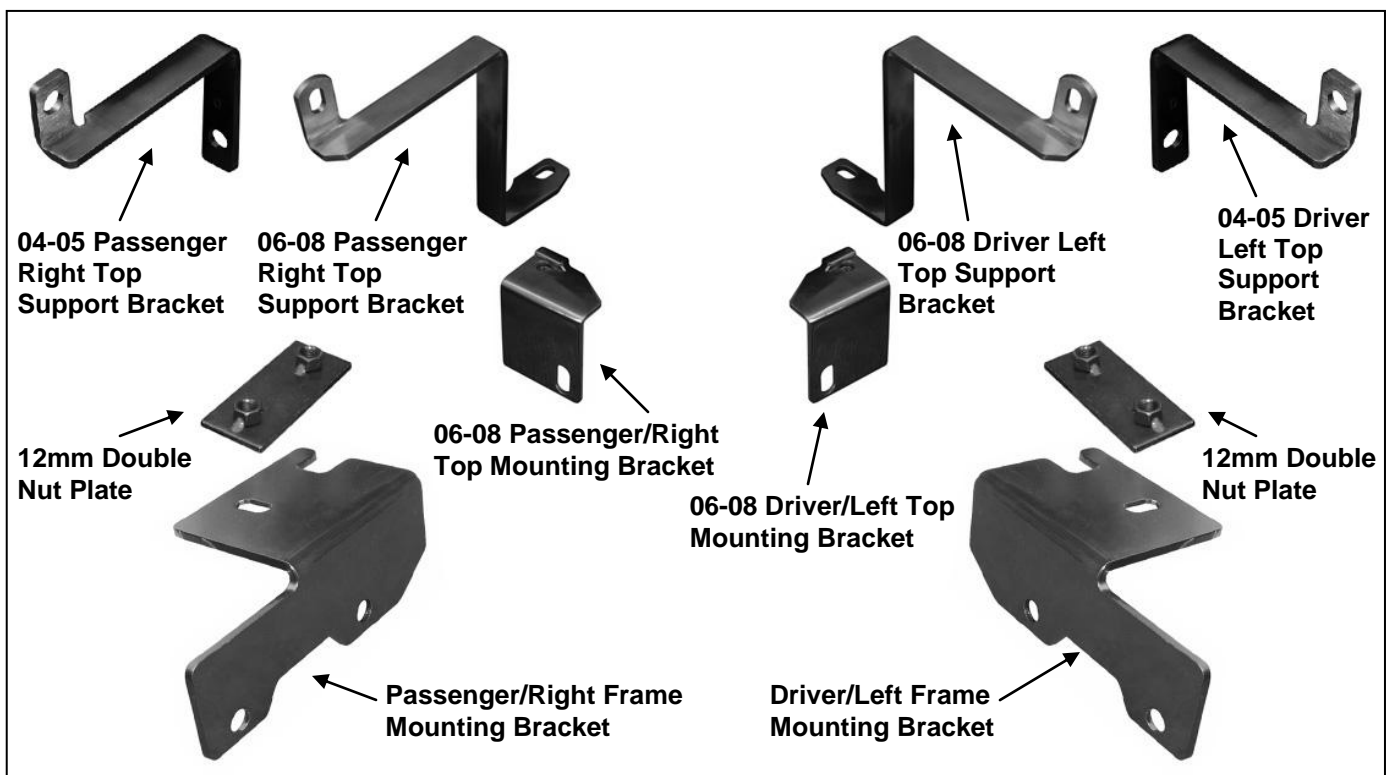
GRILLE GUARD

04-08 FORD F-150

PART NUMBER 4-0102 3-5102

PARTS LIST:

1	Grille Guard	4	12mm x 44mm OD x 3mm Flat Washers
1	Driver/Left Frame Mounting Bracket	12	12mm x 32mm OD x 3mm Flat Washers
1	Passenger/Right Frame Mounting Bracket	4	12mm Lock Washers
1	Driver/Left 04-05 Top Support Bracket	6	12mm Nylon Lock Nuts
1	Passenger/Right 04-05 Top Support Bracket	2	10-1.5mm x 40mm Hex Bolts
1	Driver/Left Frame 06-08 Top Mounting Bracket	2	10-1.5mm x 30mm Button Head Bolts
1	Passenger/Right 06-08 Top Mounting Bracket	4	10mm x 30mm OD x 2.5mm Large Flat Washers
1	Driver/Left 06-08 Tall Top Support Bracket	2	10mm x 20mm OD x 2mm Small Flat Washers
1	Passenger/Right 06-08 Tall Top Support Bracket	2	10mm Lock Washers
2	12mm Double Nut Plates	2	10mm Nylon Lock Nuts
6	12-1.75mm x 40mm Hex Bolts	1	Wrench
4	12-1.75mm x 30mm Hex Bolts		



PROCEDURE:

REMOVE CONTENTS FROM BOX. VERIFY ALL PARTS ARE PRESENT. READ INSTRUCTIONS CAREFULLY BEFORE STARTING INSTALLATION. CUTTING MAY BE REQUIRED.

1. Determine if the vehicle is equipped with or without factory tow hooks.

Vehicles with factory tow hooks:

- a. Start on the driver side and remove the forward hex bolt in the tow hook. Next, loosen the rear bolt but do not remove, (this will help hold the nut plate in the correct location inside the frame channel-see **Figure 2**). Slide the tow hook out from under the rear hex bolt. Keep the factory double nut plate in the frame and aligned with the holes.
- b. Position the Mounting Bracket up to the bottom of the frame and secure it with the factory tow hook bolts into the factory double nut plate, (**Figure 3**). **NOTE:** On some model years, the Grille Guard Brackets may not be compatible with the factory tow hooks. Reinstall the tow hook over the Bracket with the factory hex bolts if there is clearance.
- c. Repeat **Steps a – b** for the passenger side Frame Bracket installation.

Vehicles without Tow Hooks:

- a. Remove the lower plastic bumper cover/air dam, **(Figure 4)**.
 - b. Starting on the driver side of the vehicle, insert (1) 12mm Double Nut Plate through the opening in the open front end of the frame, **(Figures 5A & 5B)**. Line up the threaded hex nuts on the Nut Plate with the (2) factory holes in the bottom of the frame channel. Hold the Nut Plate in position with (1) 12mm x 40mm Hex Bolt, (1) 12mm Lock Washer and (1) 12mm x 44mm Large Flat Washer partially threaded into the rearmost threaded hole in the Nut Plate, **(Figure 6)**.
 - c. Select the driver side Frame Mounting Bracket. Slide the slot in the Bracket under the 12mm Hex Bolt and Washers. Line up the remaining hole in the Bracket with the forward hole in the Nut Plate. Insert (1) 12mm x 40mm Hex Bolt, (1) 12mm Lock Washer and (1) 12mm x 44mm Large Flat Washer into the remaining hole in the Bracket, **(Figure 6)**. Snug but do not fully tighten hardware at this time.
 - d. Repeat **Steps b – c** to install the passenger side Frame Bracket.
 - e. Hold the bumper cover up to the vehicle and mark the location of the (2) Brackets onto the inside of the cover, **(Figures 7 & 8)**. Carefully cut (2) slots through the cover wide enough to clear the (2) Brackets, **(Figure 9)**. **IMPORTANT:** Do not cut through the top or bottom edge of the cover. Reinstall the cover with the factory hardware.
2. With help position the Grille Guard onto the inside of the Mounting Brackets. Use the included (4) 12mm x 30mm Hex Bolts, (8) 12mm x 32mm STD Flat Washers and (4) 12mm Nylon Lock Nuts to attach the Grille Guard to the Mounting Brackets, **(Figure 3)**. Do not tighten at this time.
 3. Slowly open the hood and check for clearance. Select the appropriate Top Bracket installation:
 - 04 – 05 model years:**
 - a. Locate and remove the factory nut on the top of the bumper bracket. Select the driver side 04-05 Top Bracket, **(Figure 10)**.
 - b. Apply a section of the included Adhesive Backed Foam Tape to the Bracket in any location that may come in contact with the bumper or grille, **(Figure 10)**.
 - c. Attach the Bracket to the bumper bolt with the factory hex nut, **(Figure 11)**. Leave hardware loose at this time. Repeat **Steps a – b** for passenger side Support Bracket installation.
 - 06 – 08 model years:**
 - a. Locate the back of the factory bumper bracket, **(Figure 12)**. Select the small driver side 06-08 Top Mounting Bracket, **(Figure 13)**. Bolt the Bracket to the back of the large factory hole in the bumper bracket with (1) 12mm x 30mm Hex Bolt, (2) 12mm x 32mm Flat Washers and (1) 12mm Nylon Lock Nut, **(Figures 14A & 14B)**.
 - b. Select the driver side 06-08 Top Support Bracket, **(Figure 15)**. Apply a section of the included Adhesive Backed Foam Tape to the Bracket in any location that may come in contact with the bumper or grille, **(Figure 16)**.
 - c. Bolt the Support Bracket to the top of the Mounting Bracket with (1) 10mm x 40mm Hex Bolt, (1) 10mm Lock Washer and (1) 10mm Large Flat Washer, **(Figure 16)**.
 - d. Tighten the Top Mounting Bracket to the bumper bracket hardware but leave the Top Support Bracket loose at this time. Repeat **Steps a – c** for passenger side installation.
 4. Line up the tab on the driver side Top Bracket with the hole in the upright on the Grille Guard. Insert (1) 10mm x 30mm Button Head Bolt with (1) 10mm x 20mm Small Flat Washer through the upright and Top Bracket. Secure the Bracket to the Grille Guard with (1) 10mm x 30mm Large Flat Washer and (1) 10mm Nylon Lock Nut, **(Figures 11 & 17)**. Leave hardware loose at this time.
 5. Repeat **Step 4** for passenger side Top Support Bracket to Grille Guard installation.
 6. Align and adjust the Grille Guard properly and tighten all hardware.
 7. Do periodic inspections to the installation to make sure that all hardware is secure and tight.

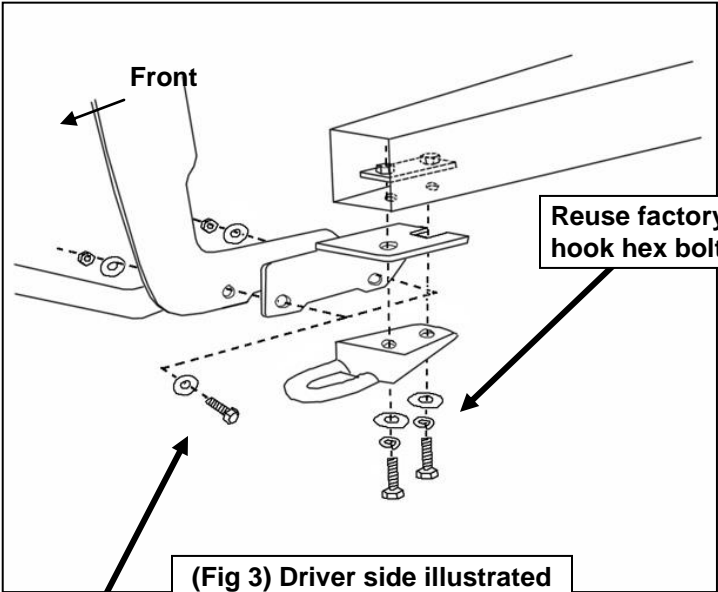
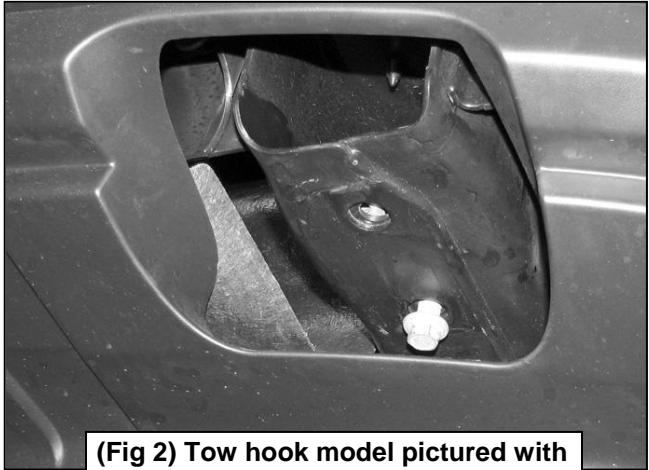
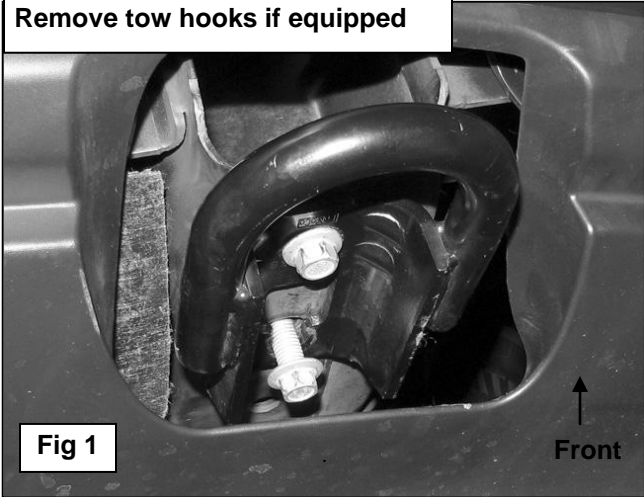
To protect your investment, wax this product after installing. Regular waxing is recommended to add a protective layer over the finish. Do not use any type of polish or wax that may contain abrasives that could damage the finish.

For stainless steel: Aluminum polish may be used to polish small scratches and scuffs on the finish. Mild soap may be used also to clean the Grille Guard.

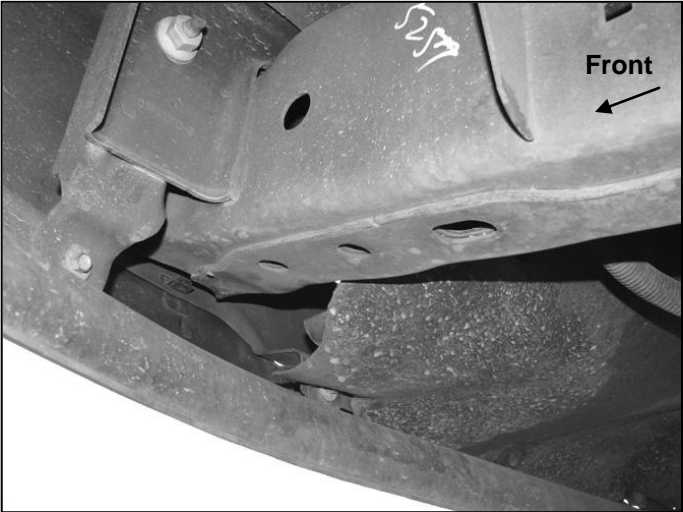
For gloss black finishes: Mild soap may be used to clean the Grille Guard.

Driver Side Installation Pictured

Remove tow hooks if equipped

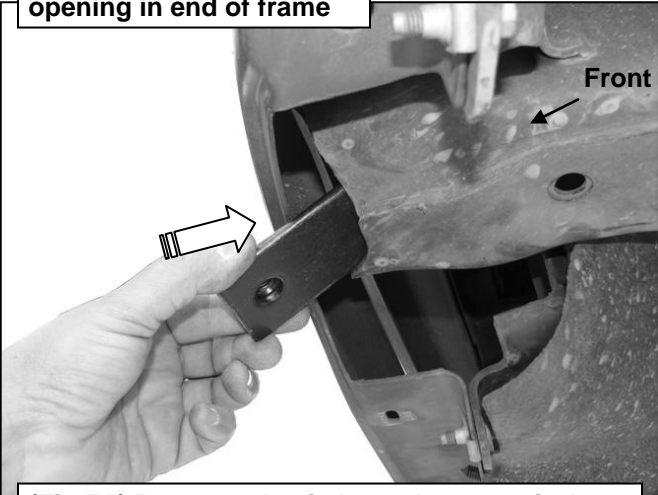


- (2) 12mm x 30mm Hex Bolts
- (4) 12mm 32mm OD x 3mm Flat Washers
- (2) 12mm Nylon Lock Nuts

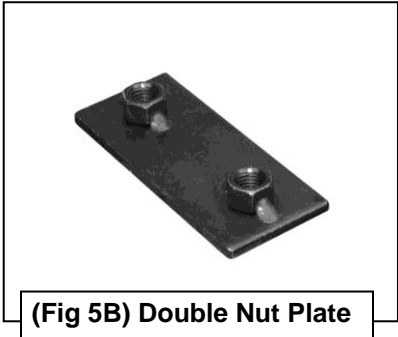


Driver Side Installation Pictured

Insert Nut Plate through opening in end of frame



(Fig 5A) Remove plastic lower bumper air dam



(Fig 5B) Double Nut Plate

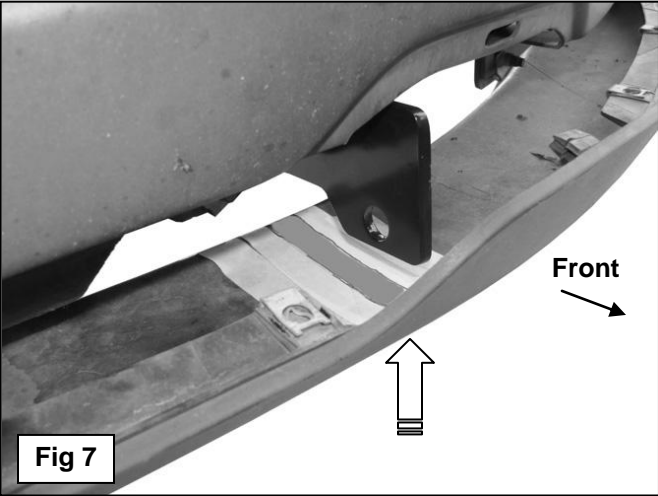


Fig 7

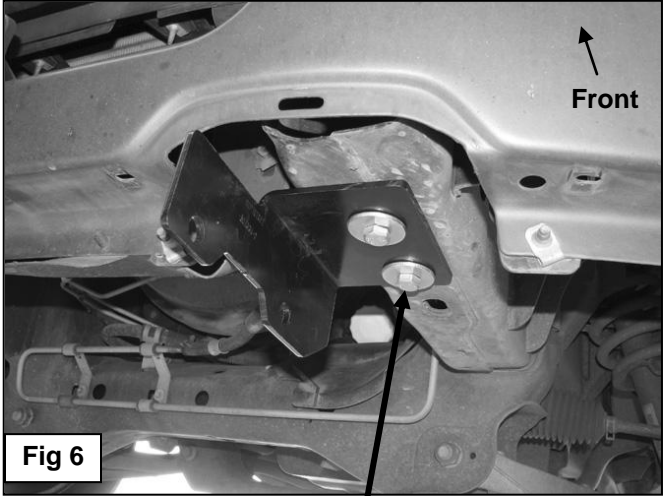


Fig 6

- (2) 12mm x 40mm Hex Bolts
- (2) 12mm Lock Washers
- (2) 12mm 44mm OD x 4mm Large Flat Washers

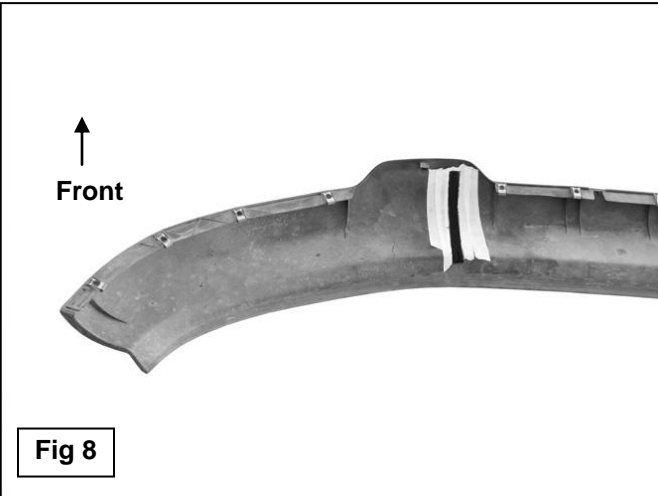


Fig 8

Important: Do not cut through the front or rear edge of the plastic bumper cover

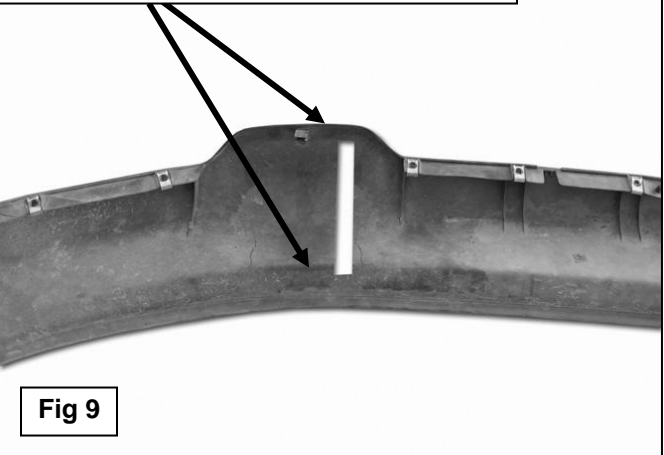
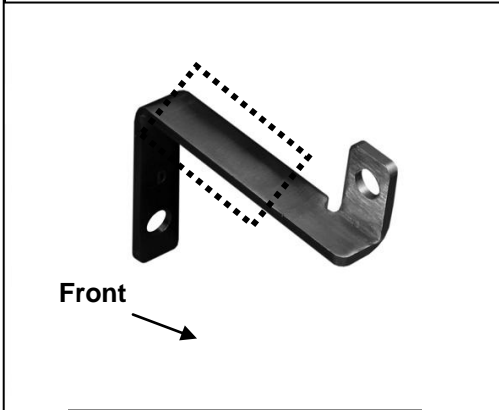


Fig 9

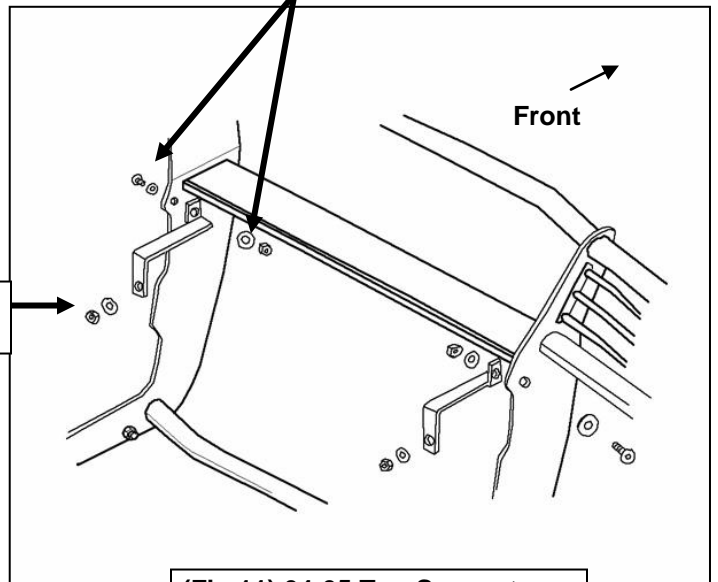
Driver Side Installation Pictured

Apply Foam Tape to top and/or bottom of Support Bracket as necessary

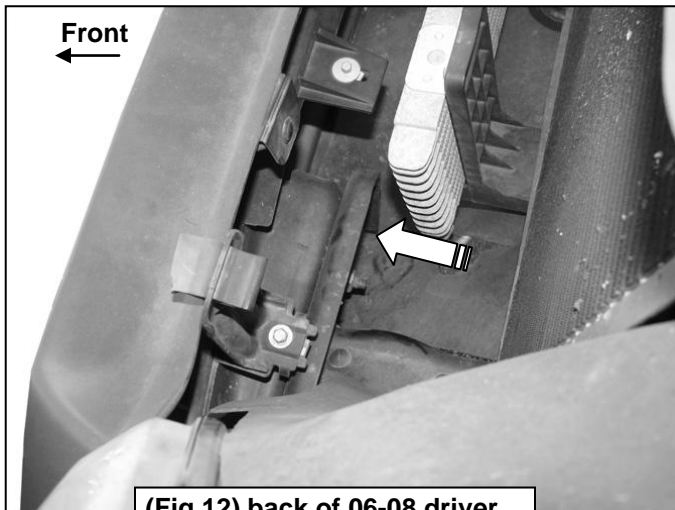


(Fig 10) 04-05 Driver side Top Support Bracket

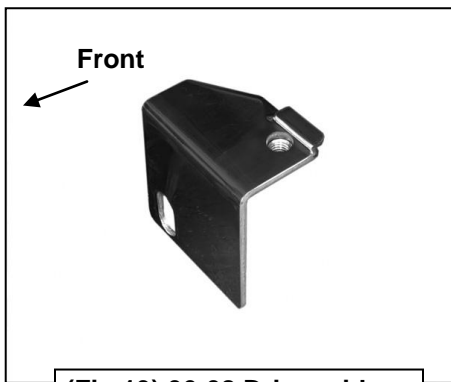
10mm x 30mm Button Head Bolt
10mm 20mm OD x 2mm Small Flat Washer (outside)
10mm 30mm OD x 2.5mm Large Flat Washer (inside)
10mm Nylon Lock Nut



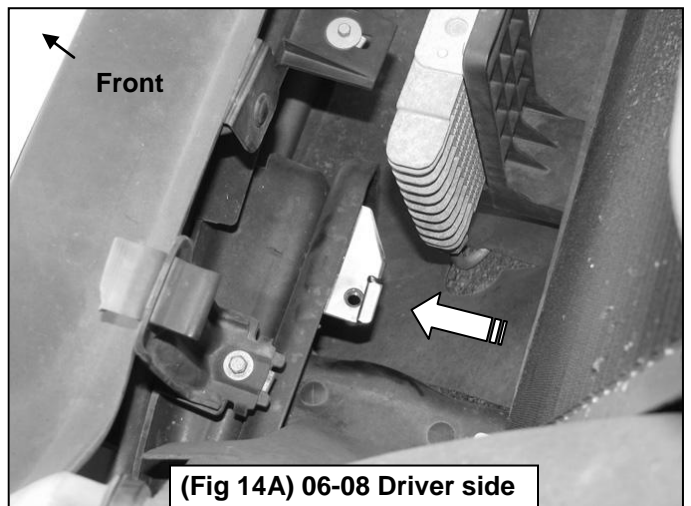
(Fig 11) 04-05 Top Support Bracket installation illustrated



(Fig 12) back of 06-08 driver side bumper bracket pictured

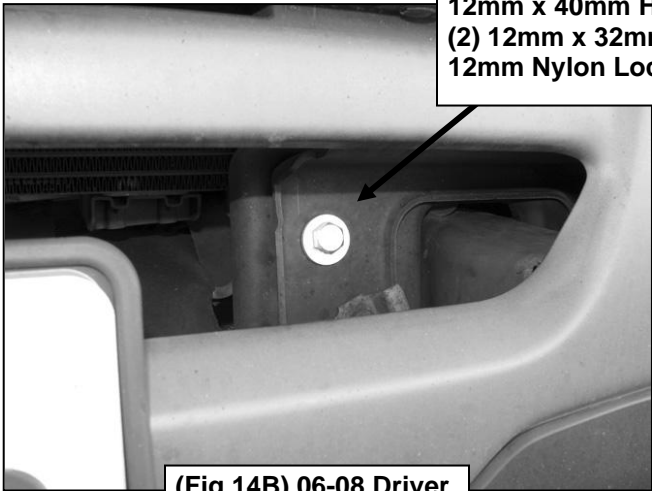


(Fig 13) 06-08 Driver side Top Mounting Bracket



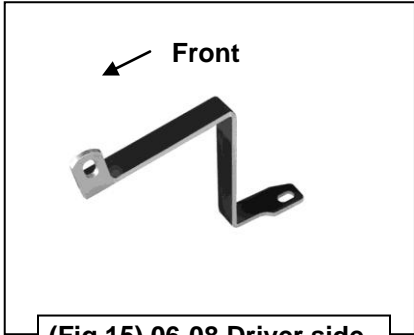
(Fig 14A) 06-08 Driver side Top Mounting Bracket

Driver Side Installation Pictured

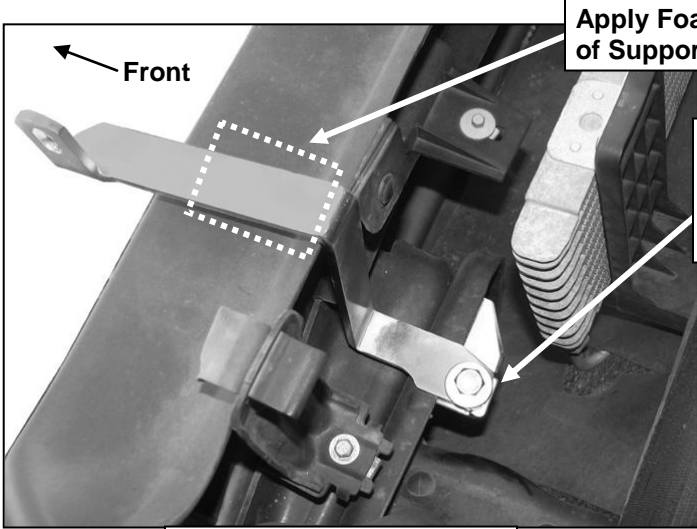


**12mm x 40mm Hex Bolt
(2) 12mm x 32mm Flat Washer
12mm Nylon Lock Nut**

(Fig 14B) 06-08 Driver side bumper bracket



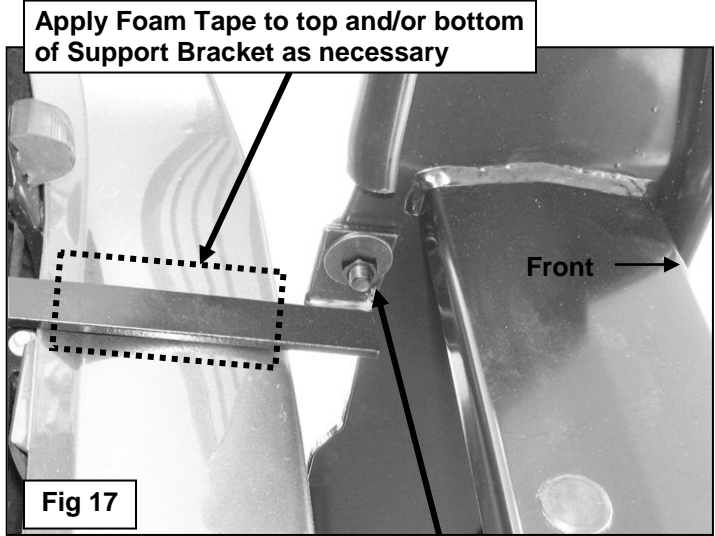
(Fig 15) 06-08 Driver side Top Support Bracket



Apply Foam Tape to top and/or bottom of Support Bracket as necessary

**10mm x 40mm Hex Bolt
10mm Lock Washer
10mm x 30mm x 2.5mm Large Flat Washer**

(Fig 16) 06-08 Driver side Top Support Bracket



Apply Foam Tape to top and/or bottom of Support Bracket as necessary

Fig 17

**10mm x 30mm Button Head Bolt
10mm x 20mm OD x 2mm Small Flat Washer (outside)
10mm x 30mm OD x 2.5mm Large Flat Washer (inside)
10mm Nylon Lock Nut**



Complete Installation