



INSTALLATION INSTRUCTIONS

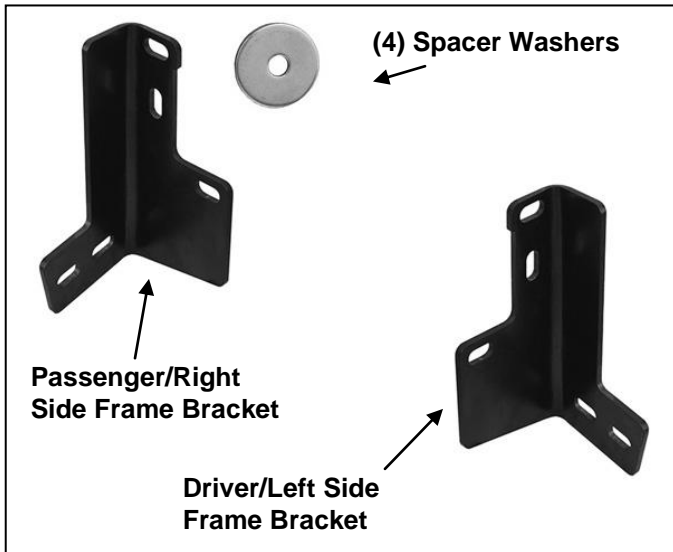
3" BULL BAR

05-15 TOYOTA TACOMA

PART NUMBER 2-0061 2-5061 2- 55061

PARTS LIST:

1	3" Bull Bar	4	10-1.50mm x 30mm Hex Bolts
1	Driver/Left Frame Mounting Bracket	2	10mm x 30mm OD x 2.5mm Large Flat Washers
1	Passenger/Right Frame Mounting Bracket	10	10mm x 20mm OD x 2mm Small Flat Washers
4	Large Spacer Washers	6	10mm Lock Washers
2	10-1.50mm x 120mm x 30mm Hex Bolts	6	10mm Hex Nuts



PROCEDURE:

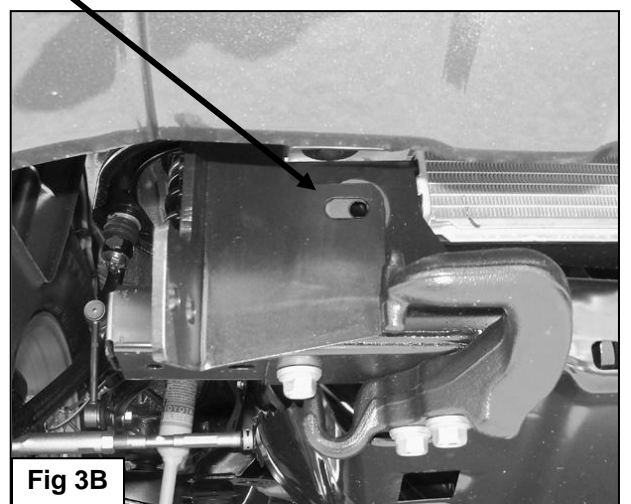
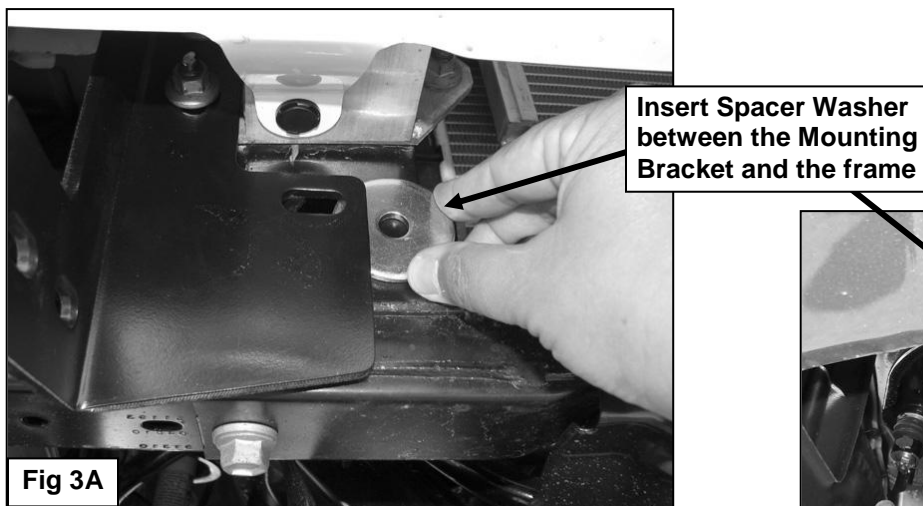
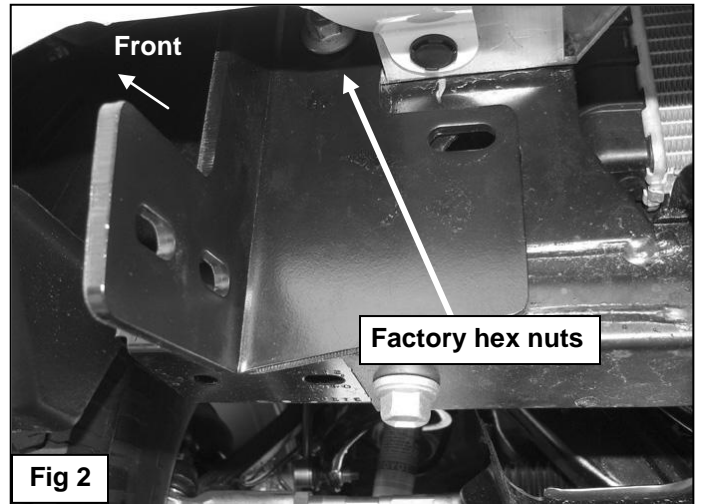
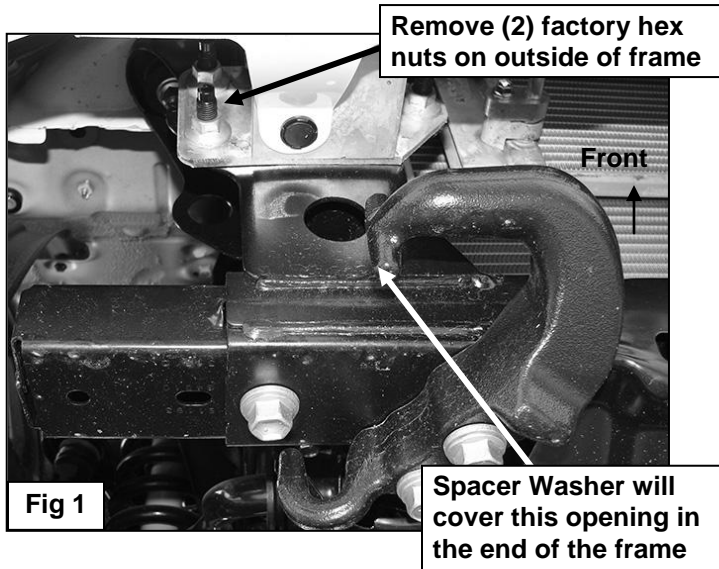
- 1. REMOVE CONTENTS FROM BOX. VERIFY ALL PARTS ARE PRESENT. READ INSTRUCTIONS CAREFULLY BEFORE STARTING INSTALLATION. NOT COMPATIBLE WITH OPTIONAL FULL COVERAGE FACTORY ALUMINUM SKID PLATE. OPTIONAL SKID PLATE MUST BE REMOVED AND CANNOT BE REINSTALLED.**
- Start installation at the passenger side, front of the vehicle. Remove the (2) outer factory hex nuts attaching the bumper mount to the end of the frame, **(Figure 1)**. **NOTE:** It may be necessary to temporarily remove the factory tow hook from the passenger side.
- Select the passenger side frame mounting bracket. Slide the Bracket over the (2) threaded studs. Secure the Bracket to the studs with the factory hex nuts, **(Figures 2 & 6)**. Leave hardware loose.
- Slide (1) Large Spacer Washer between the Mounting Bracket and the frame cross member, **(Figures 3A & 3B)**. Insert (1) 10mm x 120mm Hex Bolt with (1) 10mm x 20mm OD Small Flat Washer and (1) Large Spacer Washer into and through the hole in the back of the cross member. Make sure the Spacer Washer is against the cross member covering the large hole, **(Figures 4 & 6)**. Push the long bolt through the outer Spacer Washer and Frame Bracket. Secure the Bracket to the Bolt with (1) 10mm x 30mm Large Flat Washer, (1) 10mm Lock Washer and (1) 10mm Hex Nut, **(Figures 5 & 6)**. Leave hardware loose at this time.
- Repeat **Steps 2—4** for driver side Bracket installation.
- Next, carefully unwrap the Bull Bar. With assistance, line up the mounting tabs on the Bull Bar with the outside of the (2) previously installed Frame Mounting Brackets. Bolt the Bull Bar to the Frame Mounting Brackets with the included (4) 10mm x 30mm Hex Bolts, (8) 10mm x 20mm OD Small Flat Washers, (4) 10mm Lock Washers and (4) 10mm Hex Nuts, **(Figure 7)**. Snug but do not tighten hardware at this time.
- Level and adjust the Bull Bar properly and tighten all hardware. Reinstall the tow hook if removed.
- Do periodic inspections to the installation to make sure that all hardware is secure and tight.

To protect your investment, wax this product after installing. Regular waxing is recommended to add a protective layer over the finish. Do not use any type of polish or wax that may contain abrasives that could damage the finish.

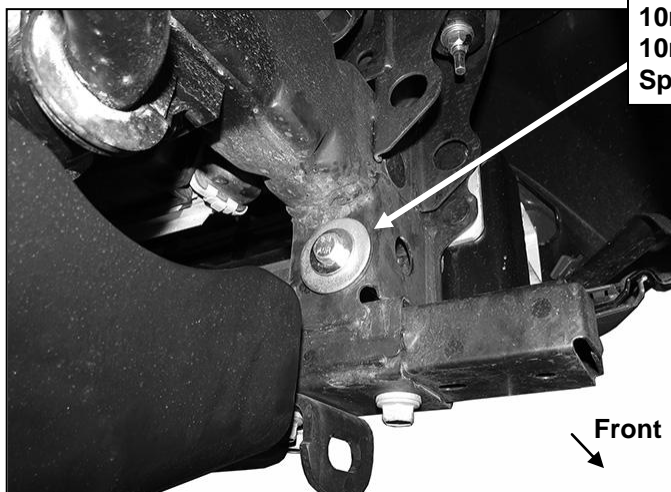
For stainless steel: Aluminum polish may be used to polish small scratches and scuffs on the finish. Mild soap may be used also to clean the Bull Bar.

For gloss black finishes: Mild soap may be used to clean the Bull Bar.

Passenger Side Installation Pictured

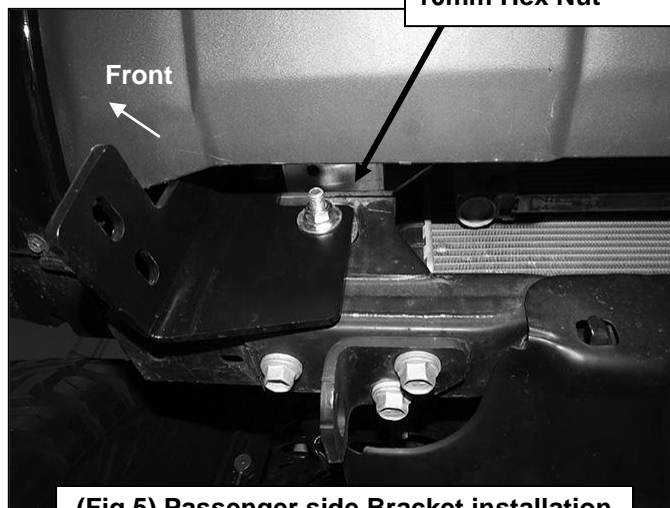


Passenger Side Installation Pictured



10mm x 120mm Hex Bolt
10mm x 20mm Small Flat Washer
Spacer Washer

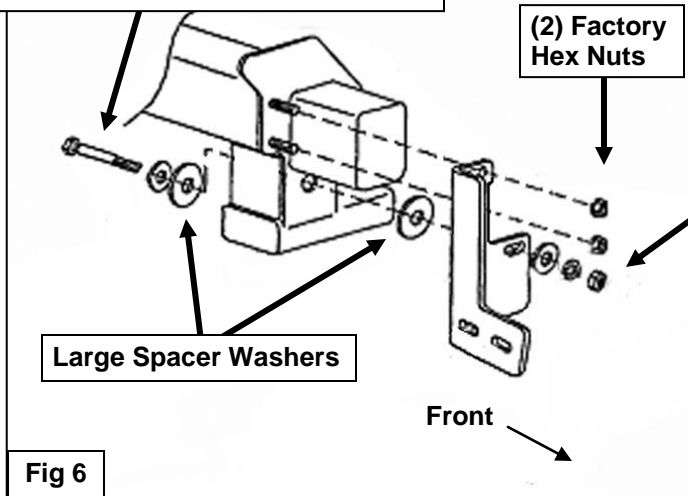
10mm x 30mm
Large Flat Washer
10mm Lock Washer
10mm Hex Nut



(Fig 4) Passenger side pictured from behind bumper

(Fig 5) Passenger side Bracket installation

10mm x 120mm Hex Bolt
10mm x 20mm Small Flat Washer

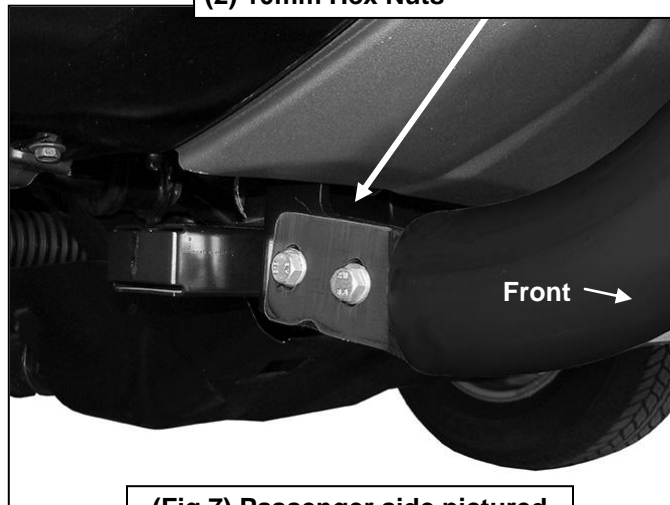


(2) Factory
Hex Nuts

Large Spacer Washers

10mm x 30mm Large Flat Washer
10mm Lock Washer
10mm Hex Nut

(2) 10mm x 30mm Hex Bolts
(4) 10mm x 20mm Small Flat Washers
(2) 10mm Lock Washers
(2) 10mm Hex Nuts



(Fig 7) Passenger side pictured